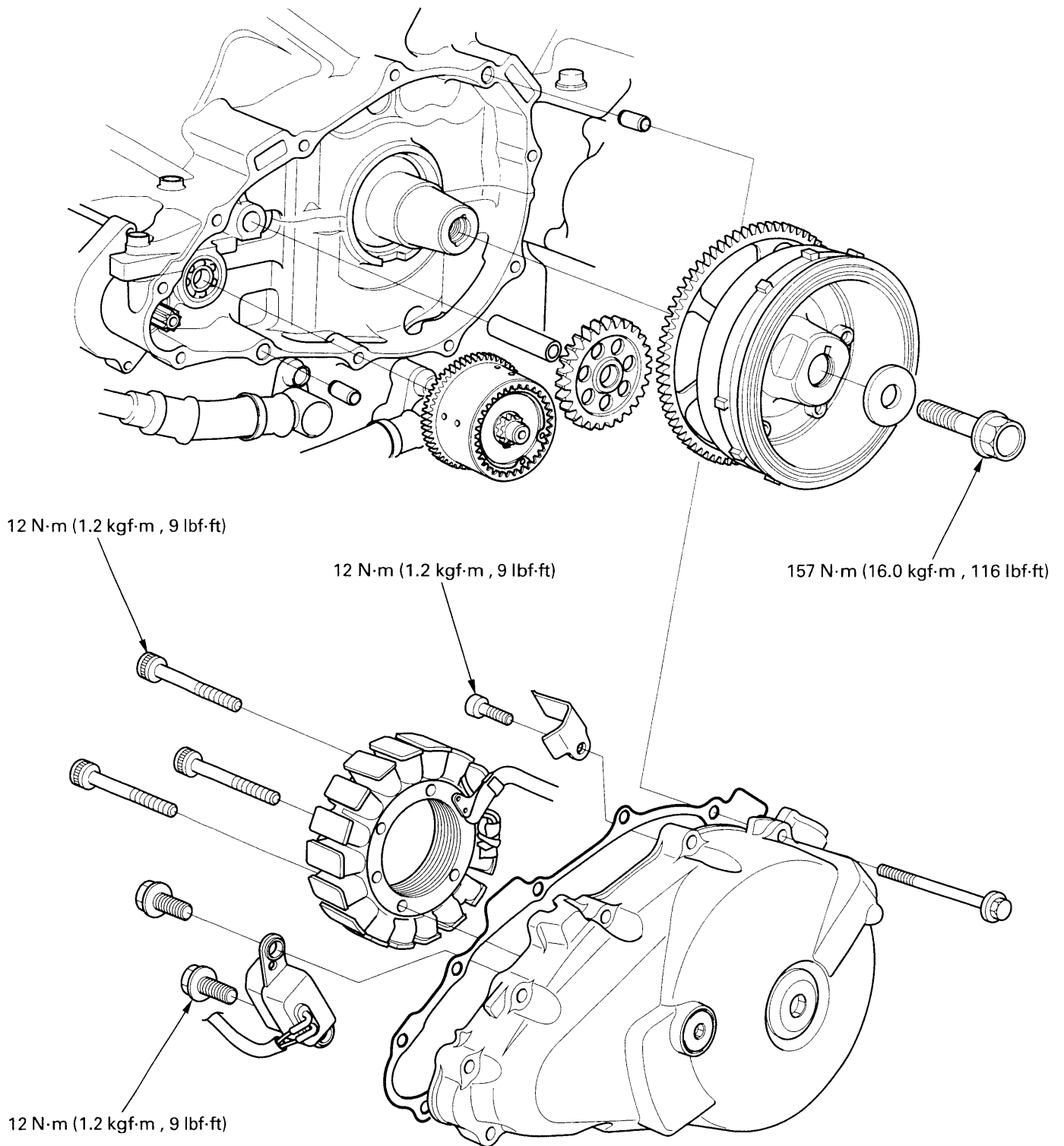


ALTERNATOR/STARTER CLUTCH



10. ALTERNATOR/STARTER CLUTCH

SERVICE INFORMATION	10-1	STARTER CLUTCH	10-5
TROUBLESHOOTING	10-1	FLYWHEEL INSTALLATION	10-7
ALTERNATOR STATOR	10-2	TORQUE LIMITER/STARTER IDLE GEAR	10-7
FLYWHEEL REMOVAL	10-4		

SERVICE INFORMATION

GENERAL

- This section covers service of the alternator stator, flywheel, starter clutch and starter gears. These parts can be removed with the engine installed in the frame.
- Refer to section 16 for alternator stator inspection.
- Refer to section 18 for starter motor servicing.

SPECIFICATIONS

ITEM	STANDARD	SERVICE LIMIT
Starter driven gear boss O.D.	57.749 – 57.768 (2.2736 – 2.2743)	57.639 (2.2692)
Torque limiter slip torque	53 – 84 N·m (5.4 – 8.6 kgf·m , 39 – 62 lbf·ft)	—

Unit: mm (in)

10

TORQUE VALUES

Flywheel bolt	157 N·m (16.0 kgf·m , 116 lbf·ft)	Apply oil to the threads and seating surface.
Starter clutch bolt	23 N·m (2.3 kgf·m , 17 lbf·ft)	Apply locking agent to the threads.
Alternator stator bolt	12 N·m (1.2 kgf·m , 9 lbf·ft)	

TOOLS

Flywheel holder	07725-0040000
Rotor puller	07733-0020001
Bearing remover shaft	07936-GE00100
Bearing remover head, 10 mm	07936-GE00200
Bearing remover weight	07741-0010201
Driver	07749-0010000
Attachment, 24 × 26 mm	07746-0010700
Pilot, 10 mm	07746-0040100

TROUBLESHOOTING

Engine does not turn

- Faulty starter clutch
- Damaged torque limiter/starter reduction gear
- Damaged starter idle gear

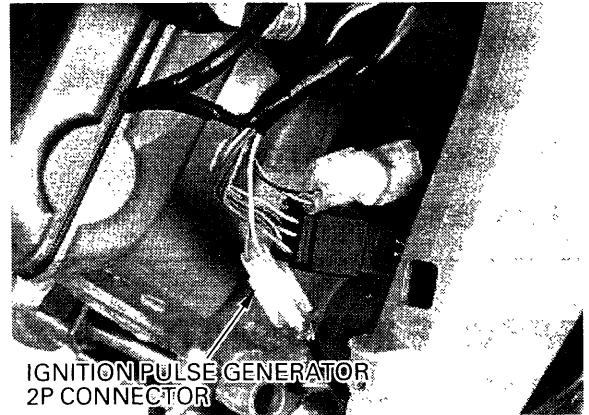
ALTERNATOR STATOR

LEFT CRANKCASE COVER REMOVAL

Remove the following:

- lower inner fairing (page 2-3)
- left lower fairing (page 2-3)
- seat cowl (page 2-2)

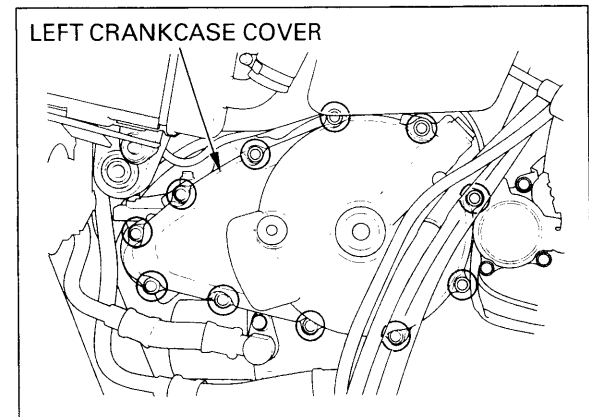
Disconnect the ignition pulse generator 2P connector.



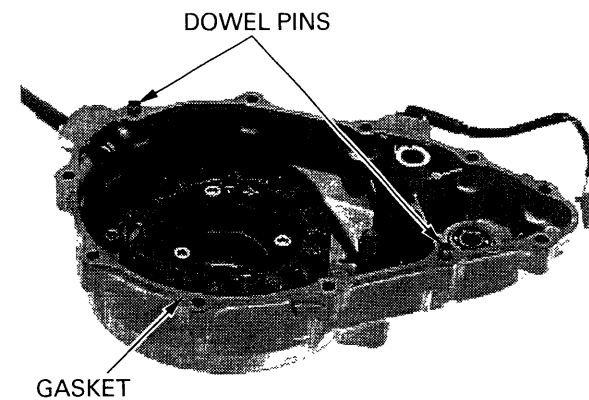
Disconnect the alternator 3P connector.



Remove the eleven bolts and the left crankcase cover.

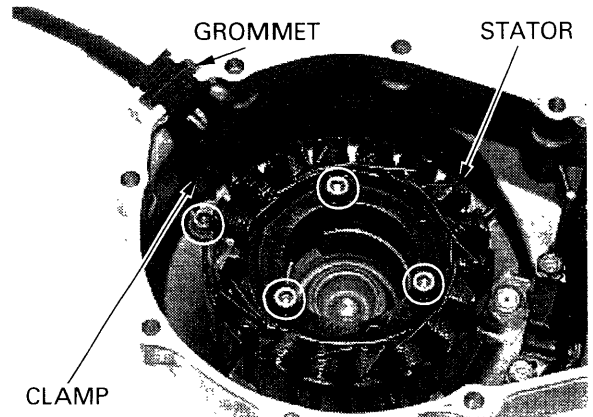


Remove the dowel pins and gasket.



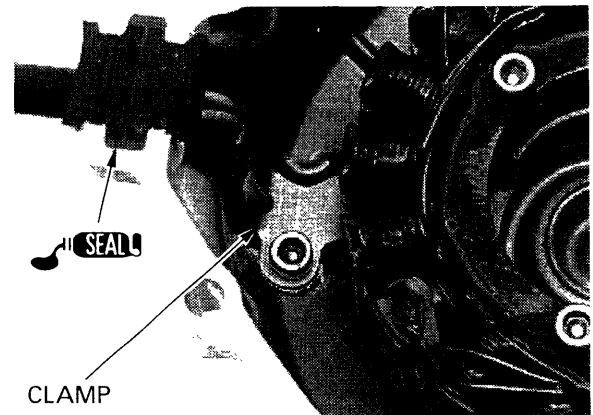
STATOR REPLACEMENT

Remove the four bolts, wire clamp, grommet and stator from the left crankcase cover.



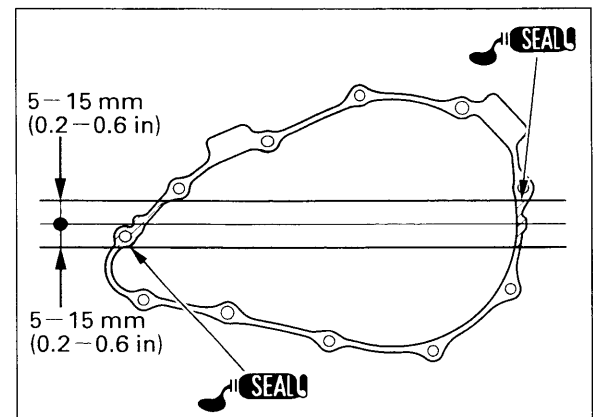
Install a new stator onto the left crankcase cover. Apply sealant to the grommet seating surface and install it into the cover groove properly. Install the wire clamp properly as shown. Tighten the four bolts.

TORQUE: 12 N·m (1.2 kgf·m , 9 lbf·ft)



LEFT CRANKCASE COVER INSTALLATION

Apply sealant to the crankcase mating surfaces as shown.



Install the dowel pins and a new gasket.

