

ENGINE LUBRICATION & COOLING SYSTEMS

SECTION **LC**

GI

MA

EM

LC

EC

FE

AT

PD

FA

RA

BR

ST

RS

BT

HA

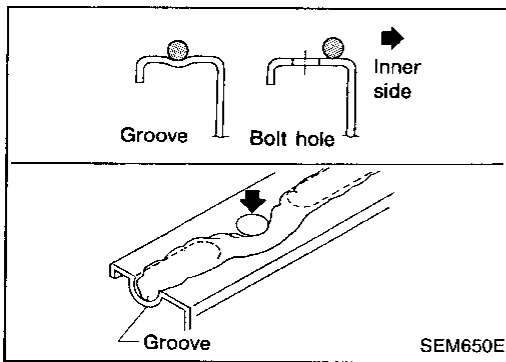
EL

IDX

CONTENTS

PRECAUTIONS AND PREPARATION2	Water Pump9
Liquid Gasket Application Procedure2	Thermostat..... 11
Special Service Tools2	Cooling Fan (Crankshaft driven)12
ENGINE LUBRICATION SYSTEM4	Cooling Fan (Motor driven).....13
Lubrication Circuit.....4	Radiator14
Oil Pressure Check.....5	Overheating Cause Analysis18
Oil Pump.....5	SERVICE DATA AND SPECIFICATIONS (SDS)19
ENGINE COOLING SYSTEM8	Engine Lubrication System.....19
Cooling Circuit8	Engine Cooling System19
System Check.....9	

PRECAUTIONS AND PREPARATION

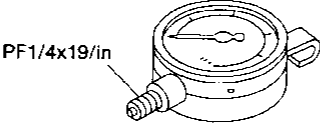
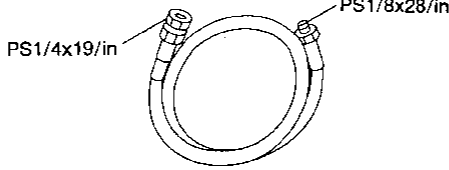
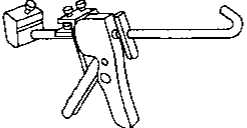
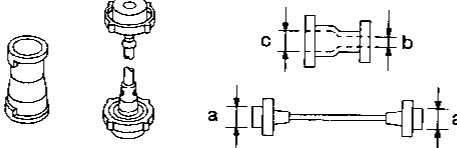
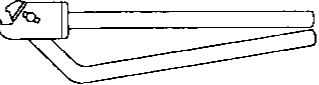


Liquid Gasket Application Procedure

- a. Use a scraper to remove all traces of old liquid gasket from mating surfaces and grooves. Also, completely clean any oil from these areas.
- b. Apply a continuous bead of liquid gasket to mating surfaces. (Use Genuine Liquid Gasket or equivalent.)
 - Be sure liquid gasket is 3.5 to 4.5 mm (0.138 to 0.177 in) wide (for oil pan).
 - Be sure liquid gasket is 2.0 to 3.0 mm (0.079 to 0.118 in) wide (in areas except oil pan).
- c. Apply liquid gasket to inner surface around hole perimeter area.
- d. Assembly should be done within 5 minutes after coating.
- e. Wait at least 30 minutes before refilling engine oil and engine coolant.

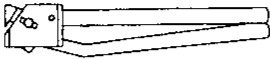
Special Service Tools

The actual shapes of Kent-Moore tools may differ from those of special service tools illustrated here.

Tool number (Kent-Moore No.) Tool name	Description
ST25051001 (J25695-1) Oil pressure gauge	Measuring oil pressure  PF1/4x19/in NT558 Maximum measuring range: 2,452 kPa (25 kg/cm², 356 psi)
ST25052000 (J25695-2) Hose	Adapting oil pressure gauge to cylinder block  PS1/4x19/in PS1/8x28/in NT559
WS39930000 (—) Tube presser	Pressing the tube of liquid gasket  NT052
EG17650301 (J33984-A) Radiator cap tester adapter	Adapting radiator cap tester to radiator filler neck  a b c NT564 a: 28 mm (1.10 in) dia. b: 31.4 mm (1.236 in) dia. c: 41.3 mm (1.626 in) dia.
KV99103510 (—) Radiator plate pliers A	Installing radiator upper and lower tanks  NT224

PRECAUTIONS AND PREPARATION

Special Service Tools (Cont'd)

Tool number (Kent-Moore No.) Tool name	Description	
KV99103520 (—) Radiator plate pliers B	<div style="text-align: center;">  </div> NT225	Removing radiator upper and lower tanks GI MA EM

LC

EC

FE

AT

PD

FA

RA

BR

ST

RS

BT

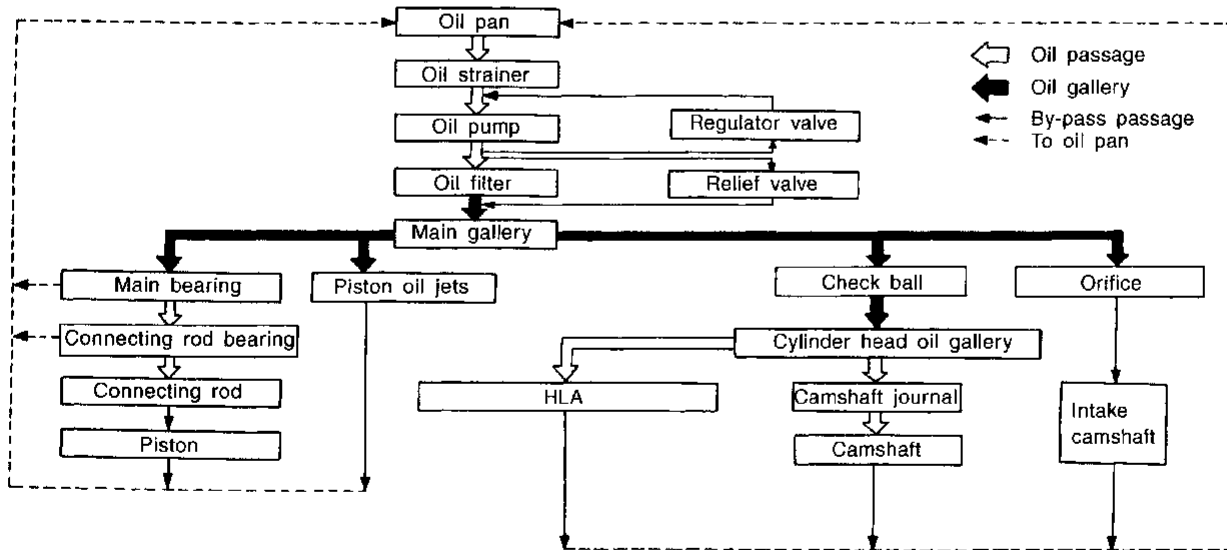
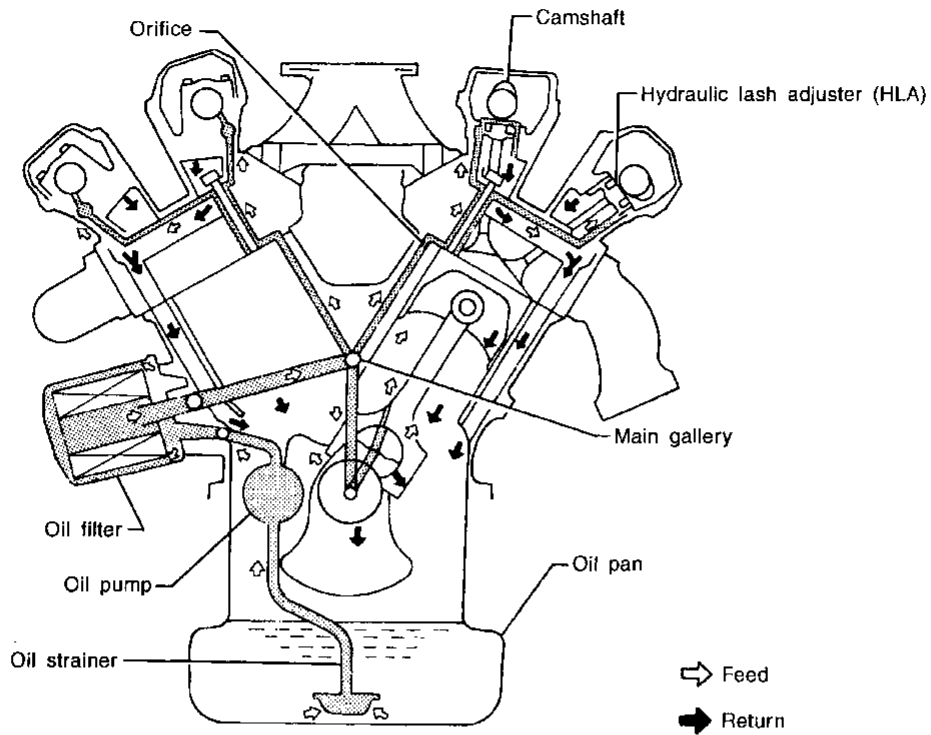
HA

EL

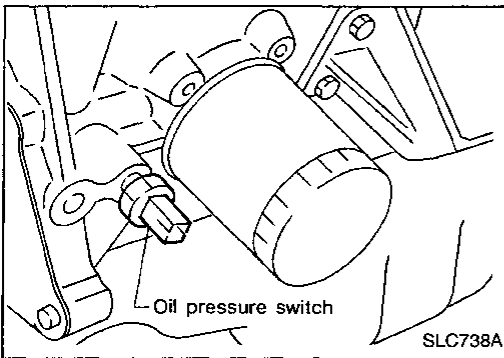
IDX

ENGINE LUBRICATION SYSTEM

Lubrication Circuit



ENGINE LUBRICATION SYSTEM



Oil Pressure Check

WARNING:

- Be careful not to burn yourself, as the engine and oil may be hot.
- Oil pressure check should be done in "Neutral" gear position.

1. Check oil level.
2. Remove oil pressure switch.

GI

MA

EM

LC

EC

FE

AT

PD

FA

RA

BR

ST

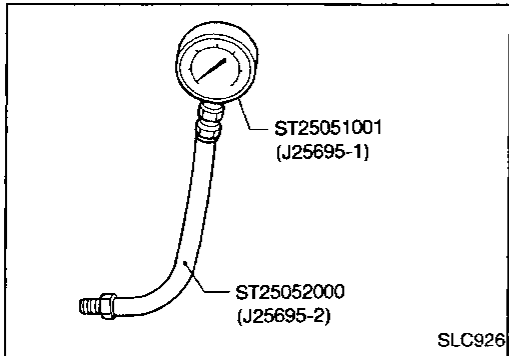
RS

BT

HA

EL

IDX

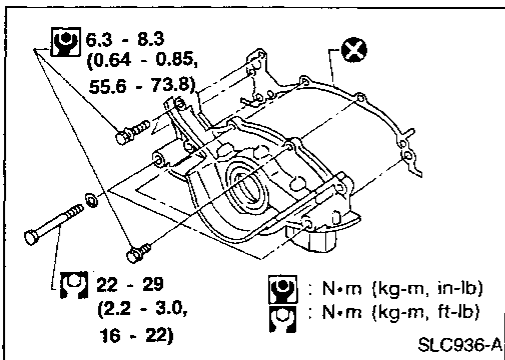


3. Install pressure gauge.
4. Start engine and warm it up to normal operating temperature.
5. Check oil pressure with engine running under no-load.

Engine speed rpm	Approximate discharge pressure kPa (kg/cm ² , psi)
Idle speed	More than 78 (0.8, 11)
3,000	353 - 451 (3.6 - 4.6, 51 - 65)

If difference is extreme, check oil passage and oil pump for oil leaks.

6. Install oil pressure switch with sealant.



Oil Pump

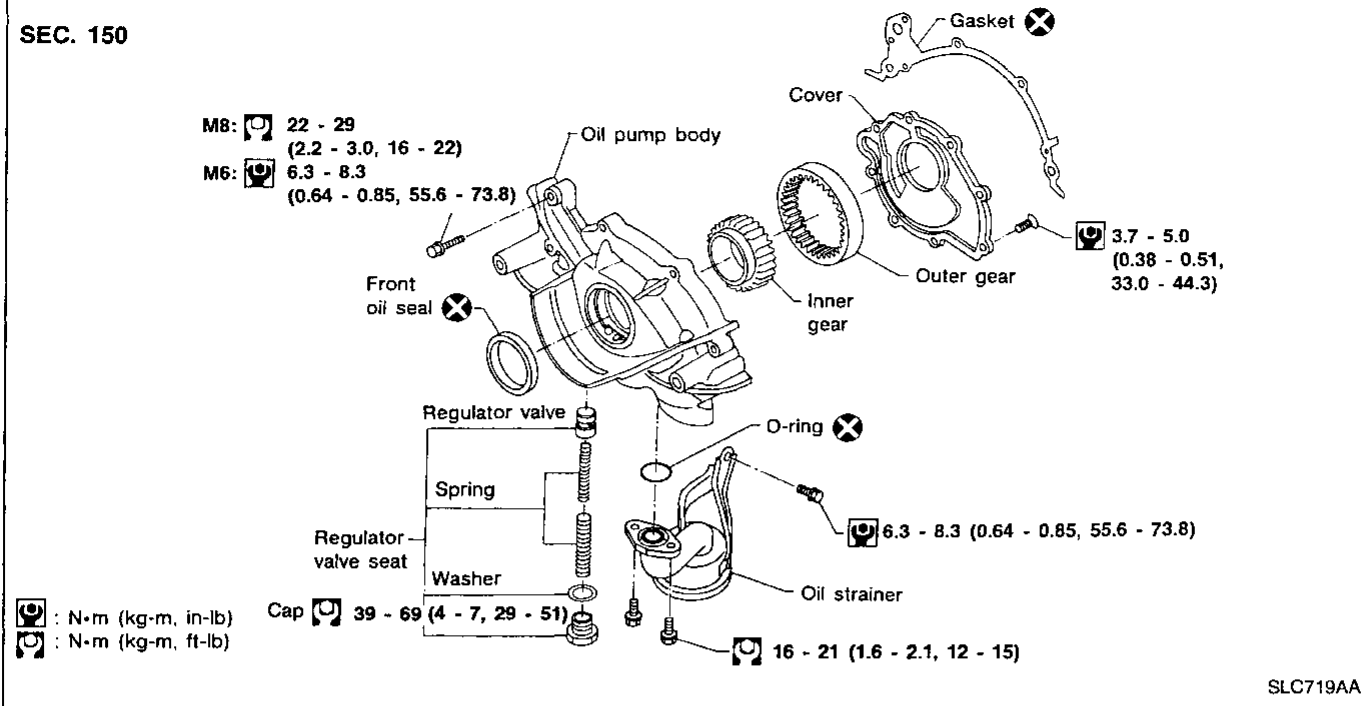
REMOVAL

1. Drain oil.
2. Remove oil pan. (Refer to "Removal" of "OIL PAN" in EM section.)
3. Remove oil pump assembly.

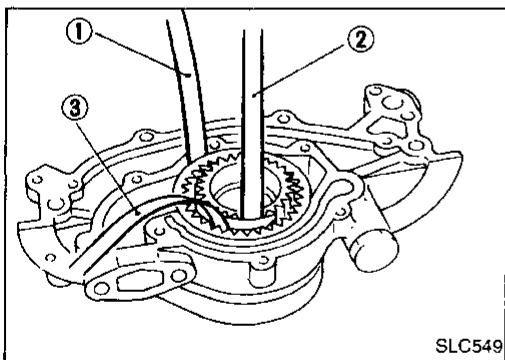
ENGINE LUBRICATION SYSTEM

Oil Pump (Cont'd) DISASSEMBLY AND ASSEMBLY

SEC. 150



- Always replace with new oil seal and gasket.
- When installing oil pump, apply engine oil to inner and outer gears.
- Be sure that O-ring is properly installed.



OIL PUMP INSPECTION

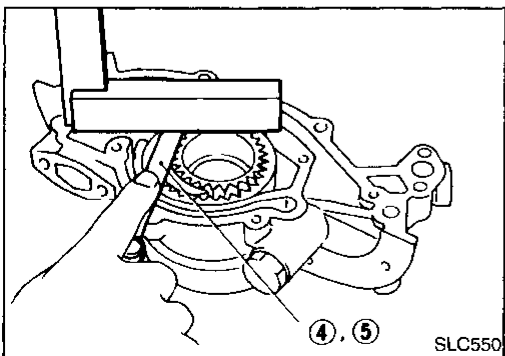
Using a feeler gauge, check the following clearances:

Standard clearance:

Unit: mm (in)

Body to outer gear clearance ①	0.114 - 0.200 (0.0045 - 0.0079)
Inner gear to crescent clearance ②	0.223 - 0.333 (0.0088 - 0.0131)
Outer gear to crescent clearance ③	0.210 - 0.320 (0.0083 - 0.0126)
Housing to inner gear clearance ④	0.050 - 0.090 (0.0020 - 0.0035)
Housing to outer gear clearance ⑤	0.050 - 0.110 (0.0020 - 0.0043)

If any clearance exceeds the limit, replace gear set or entire oil pump assembly.



ENGINE LUBRICATION SYSTEM

Oil Pump (Cont'd)

REGULATOR VALVE INSPECTION

1. Visually inspect components for wear and damage.
2. Check oil pressure regulator valve sliding surface and valve spring.
3. Coat regulator valve with engine oil. Check that it falls freely into the valve hole by its own weight.

If damaged, replace regulator valve set or oil pump assembly.

GI

MA

EM

LC

EC

FE

AT

PD

FA

RA

BR

ST

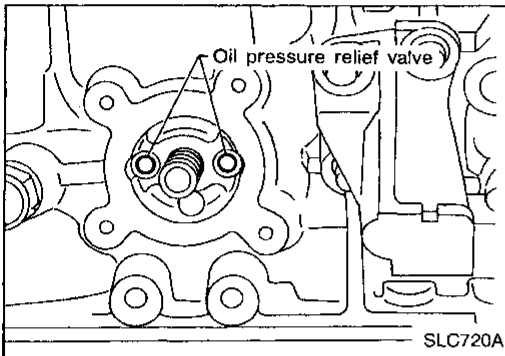
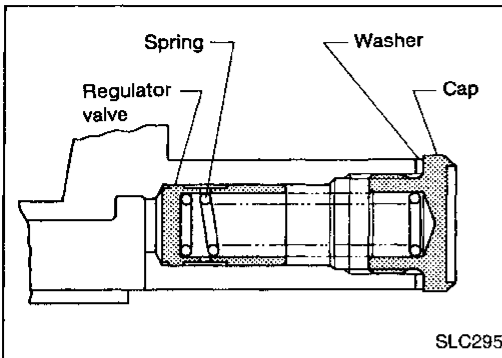
RS

BT

HA

EL

IDX



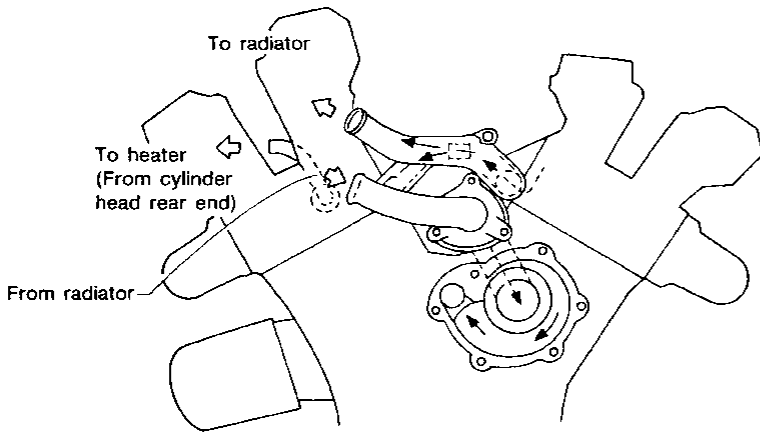
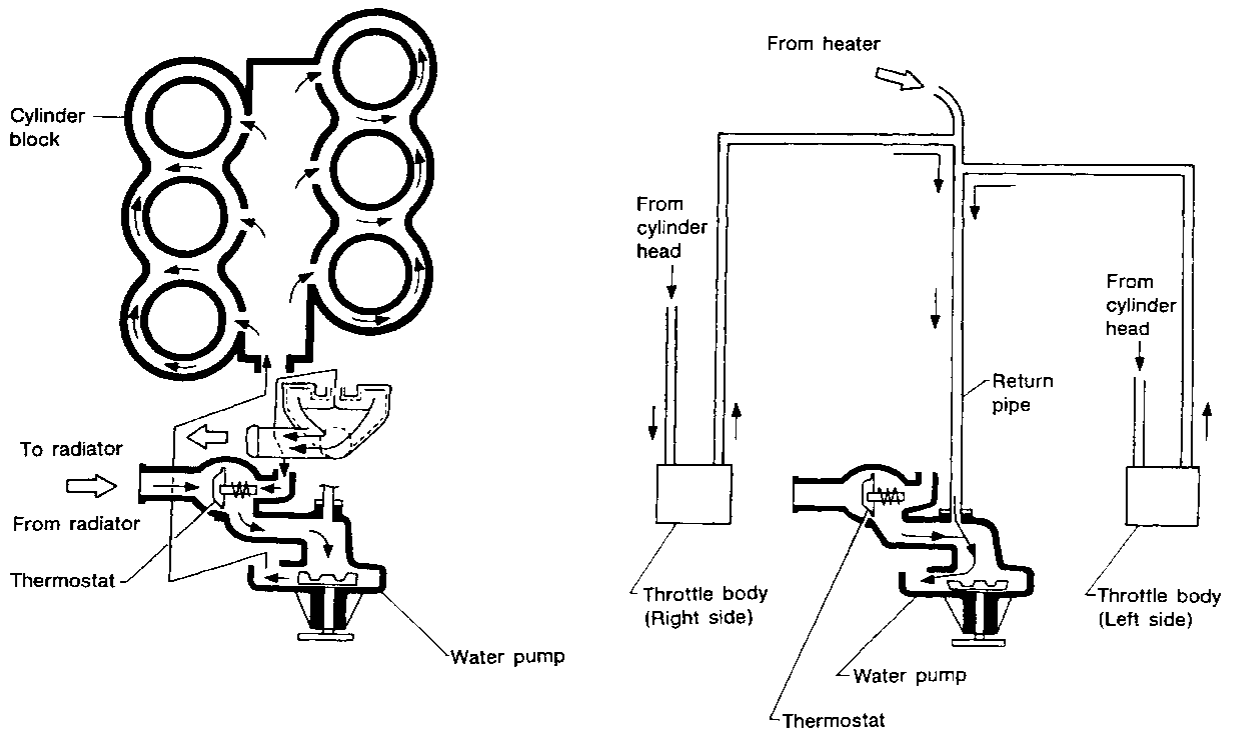
OIL PRESSURE RELIEF VALVE INSPECTION



Inspect oil pressure relief valve for movement, cracks and breaks by pushing the ball. If replacement is necessary, remove valve by prying it out with a suitable tool.

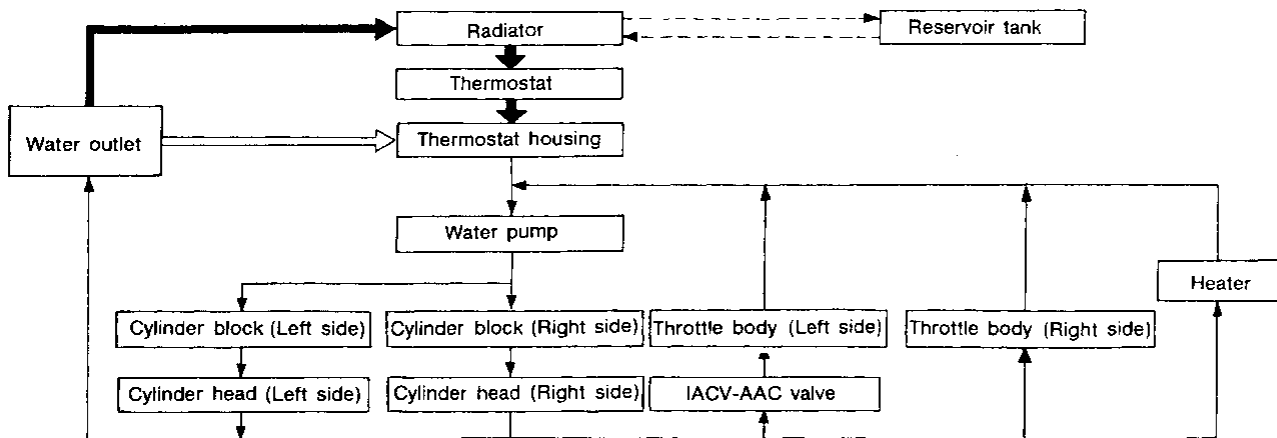
Install a new valve by tapping it in place.

ENGINE COOLING SYSTEM

Cooling Circuit



 : Thermostat open
 : Thermostat closed



SLC723AA

System Check

WARNING:

Never remove the radiator cap when the engine is hot; serious burns could be caused by high pressure fluid escaping from the radiator.

Wrap a thick cloth around the cap and carefully remove it by turning it a quarter turn to allow built-up pressure to escape. Then turn the cap all the way off.

GI

MA

EM

CHECKING COOLING SYSTEM HOSES

Check hoses for improper attachment, leaks, cracks, damage, loose connections, chafing and deterioration.

LC

EC

FE

AT

PD

FA

RA

BR

ST

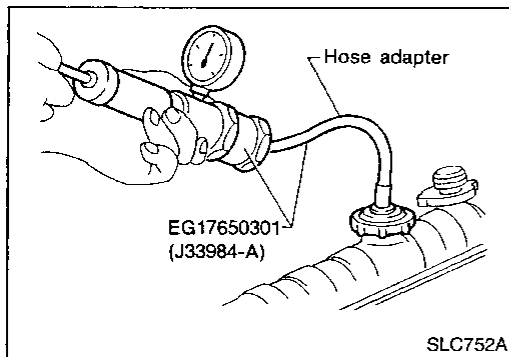
RS

BT

HA

EL

IDX



CHECKING COOLING SYSTEM FOR LEAKS

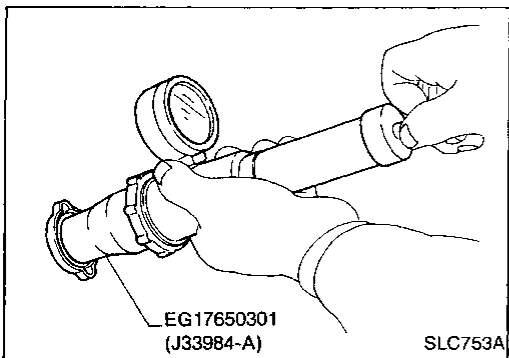
To check for leakage, apply pressure to the cooling system with a tester.

Testing pressure:

157 kPa (1.6 kg/cm², 23 psi)

CAUTION:

Higher than the specified pressure may cause radiator damage.



CHECKING RADIATOR CAP

To check radiator cap, apply pressure to cap with a tester.

Radiator cap relief pressure:

Standard

78 - 98 kPa (0.8 - 1.0 kg/cm², 11 - 14 psi)

Limit

59 - 98 kPa (0.6 - 1.0 kg/cm², 9 - 14 psi)

Water Pump

REMOVAL AND INSTALLATION

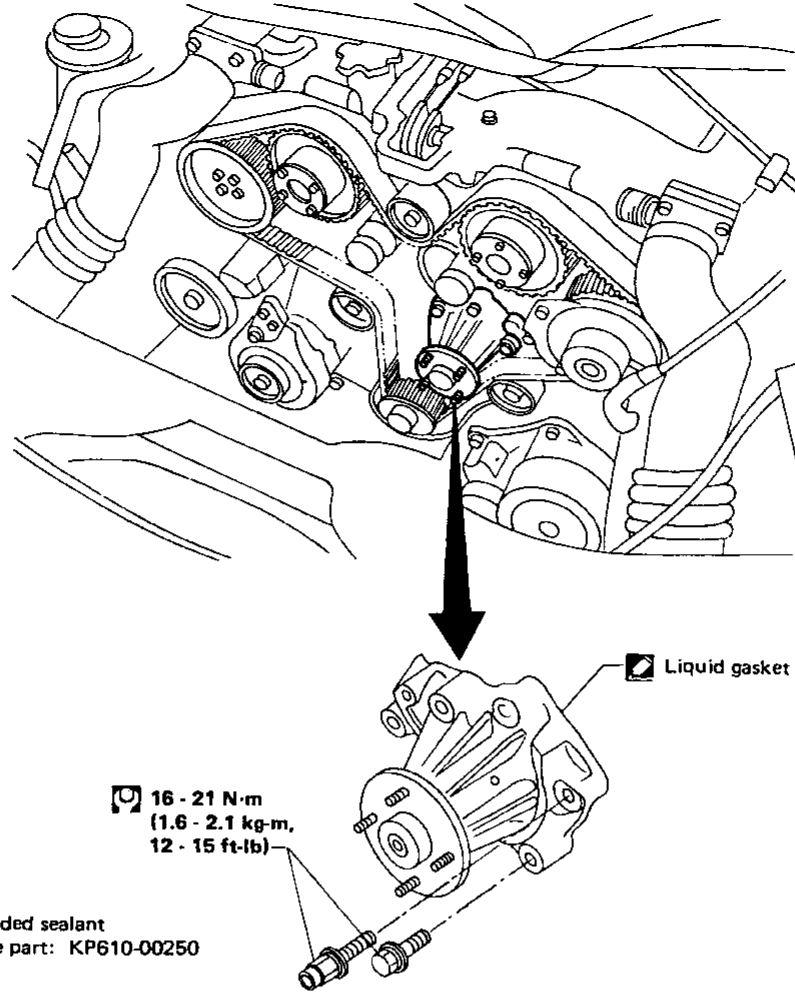
CAUTION:

- When removing water pump assembly, be careful not to get coolant on timing belt.
- Water pump cannot be disassembled and should be replaced as a unit.
- After installing water pump, connect hose and clamp securely, then check for leaks using radiator cap tester.

ENGINE COOLING SYSTEM

Water Pump (Cont'd)

SEC. 210



SLC319AA

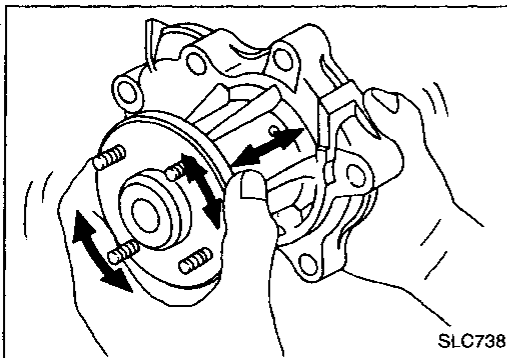
1. Drain coolant from drain cocks on both sides of cylinder block and radiator.
2. Remove the following parts:
 - Under cover
 - Radiator
 - Drive belts
 - Cooling fan and coupling
 - Water inlet and outlet
 - Crank shift pulley
 - Timing belt cover
3. Remove water pump.
4. After repairing or replacing water pump, install any parts removed in reverse order of removal.

ENGINE COOLING SYSTEM

Water Pump (Cont'd)

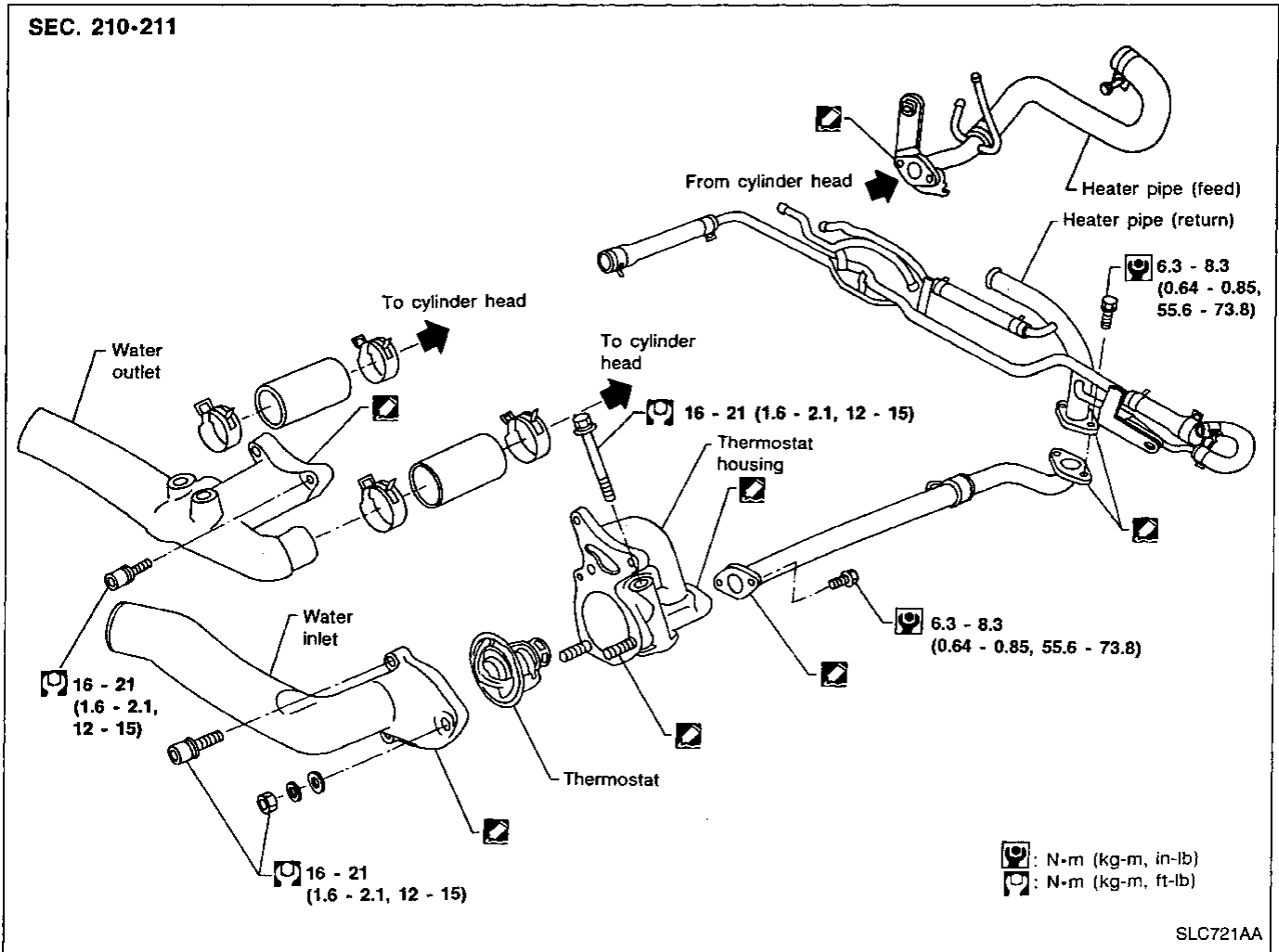
INSPECTION

1. Check for badly rusted or corroded vanes and body assembly.
2. Check for rough operation due to excessive end play.



Thermostat

SEC. 210-211

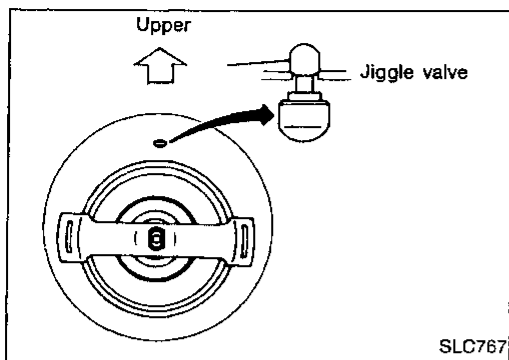


REMOVAL AND INSTALLATION

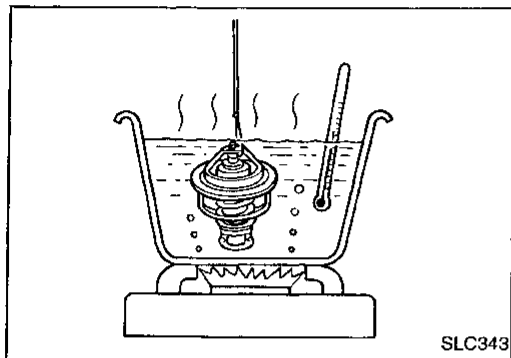
1. Drain coolant from drain cocks on both sides of cylinder block and radiator.
2. Remove the following parts:
 - Under cover
 - Radiator upper hose
 - Radiator shroud
 - Fan belt
 - Cooling fan and coupling
 - Water inlet
3. Remove thermostat.

ENGINE COOLING SYSTEM

Thermostat (Cont'd)



SLC767



SLC343

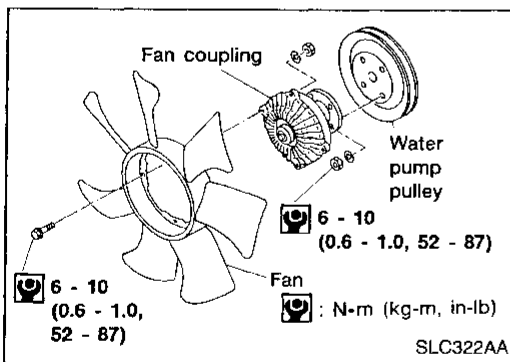
- After repairing or replacing thermostat, install thermostat with jiggle valve facing upward.

INSPECTION

- Check valve seating condition at ordinary room temperatures. It should seat tightly.
- Check valve opening temperature and valve lift.

		Standard
Valve opening temperature	°C (°F)	76.5 (170)
Valve lift	mm/°C (in/°F)	More than 10/90 (0.39/194)

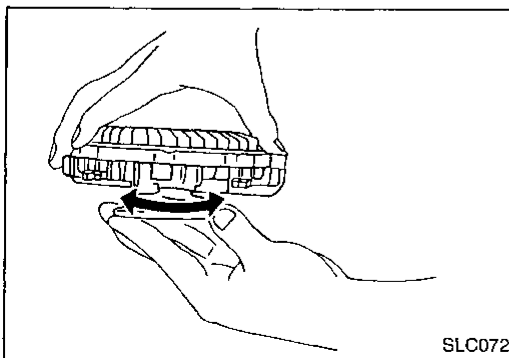
- Then check if valve is 5°C (9°F) below valve opening temperature.
 - After installation, run engine for a few minutes, and check for leaks.
 - Be careful not to spill coolant over engine compartment. Use a rag to absorb coolant.



SLC322AA

Cooling Fan (Crankshaft driven)

DISASSEMBLY AND ASSEMBLY



SLC072

INSPECTION

Check fan coupling for rough operation, oil leakage or bent bimetal.

Cooling Fan (Motor driven)

This cooling fan is controlled by ECM (ECCS control module). For details, refer to "Cooling Fan", "TROUBLE DIAGNOSIS FOR DTC P1900" in EC section.

GI

MA

EM

LC

EC

FE

AT

PD

FA

RA

BR

ST

RS

BT

HA

EL

IDX

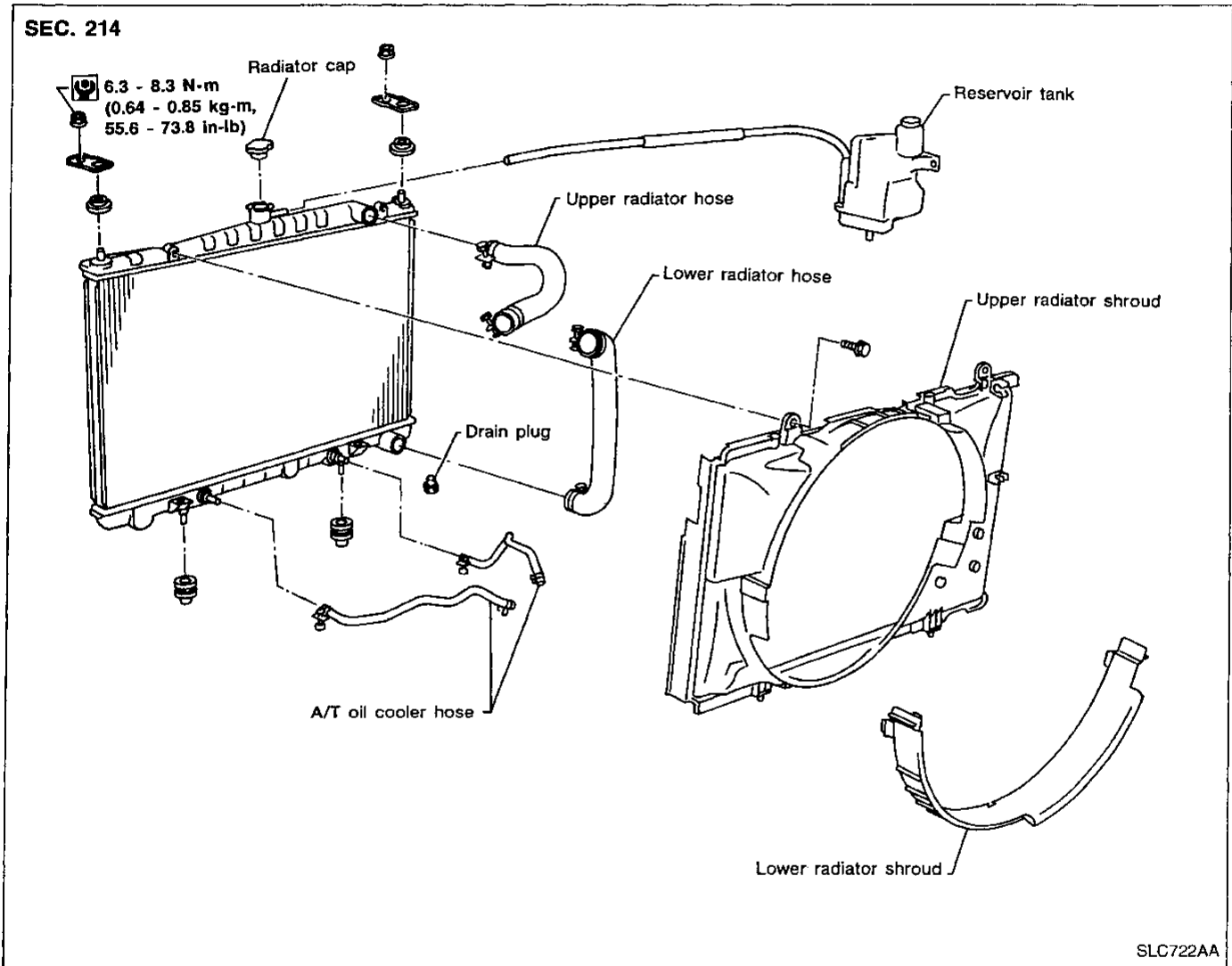
ENGINE COOLING SYSTEM

Radiator

REMOVAL AND INSTALLATION

1. Drain coolant from radiator drain cock.
2. Remove under cover.
3. Disconnect radiator upper and lower hoses.
4. Remove A/T oil cooler hoses.
5. Remove radiator lower shroud.
6. Remove radiator.
7. After repairing or replacing radiator, install any part removed in reverse order of removal.

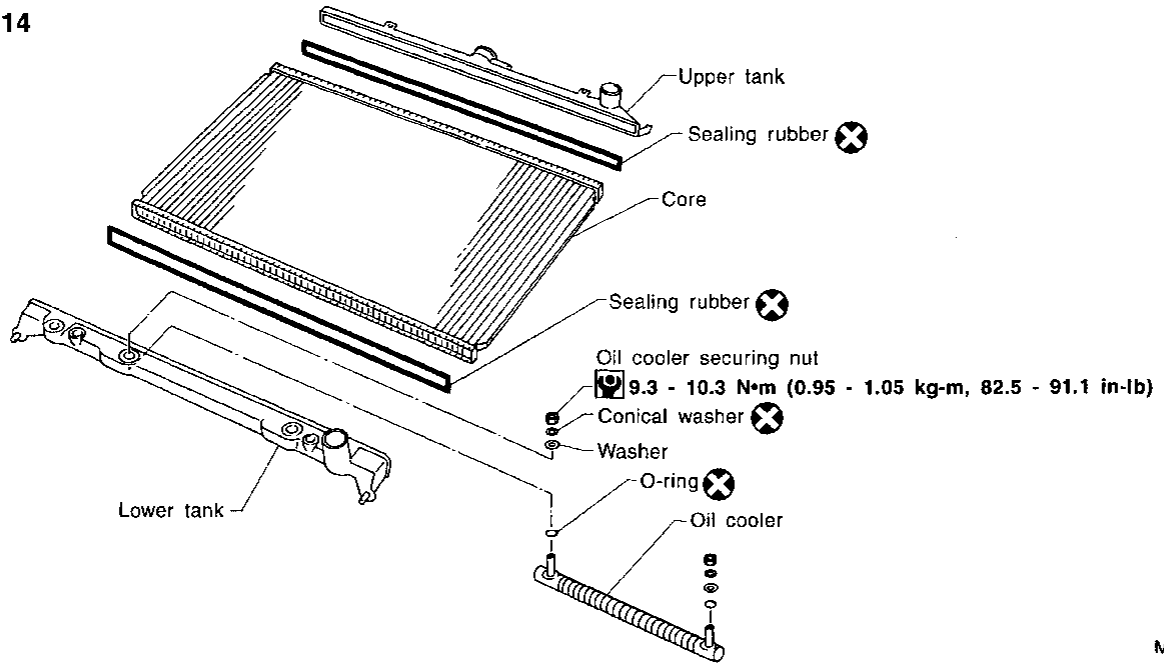
When filling radiator with coolant, refer to "Changing Engine Coolant" in MA section.



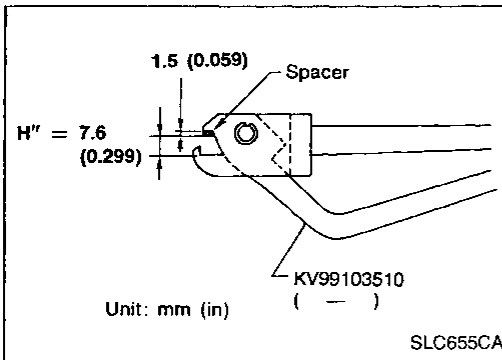
ENGINE COOLING SYSTEM

Radiator (Cont'd)

SEC. 214

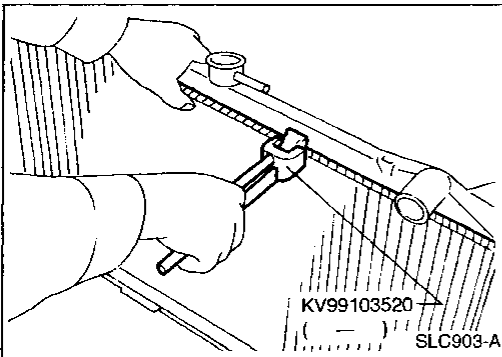


MLC078A



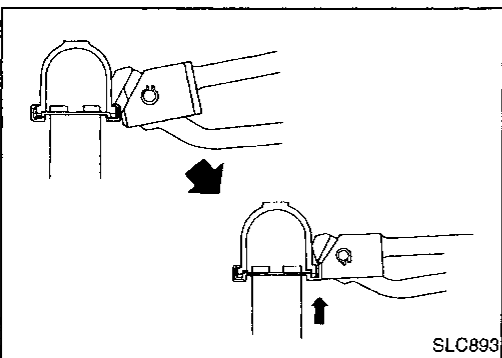
PREPARATION

1. Attach a spacer to the tip of the radiator plate pliers A. Spacer specification: 1.5 mm (0.059 in) thick x 18 mm (0.71 in) wide x 8.5 mm (0.335 in) long.
2. Make sure that when radiator plate pliers A are closed dimension H'' is approx. 7.6 mm (0.299 in).
3. Adjust dimension H'' with the spacer, if necessary.



DISASSEMBLY

1. Remove tank with Tool.



- Grip the crimped edge and bend it upwards so that Tool slips off.

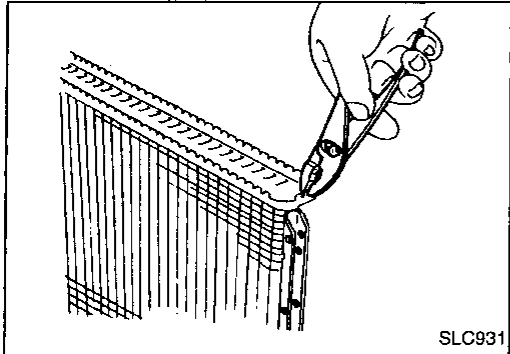
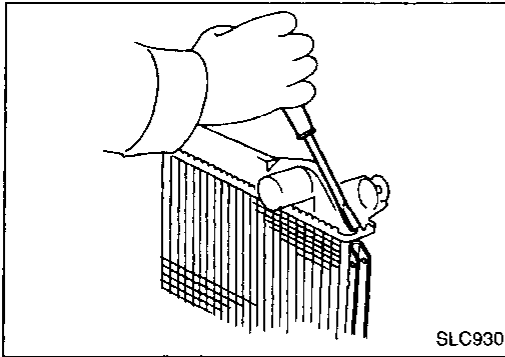
Do not bend excessively.

ENGINE COOLING SYSTEM

Radiator (Cont'd)

- In areas where Tool cannot be used, use a screwdriver to bend the edge up.

Be careful not to damage tank.

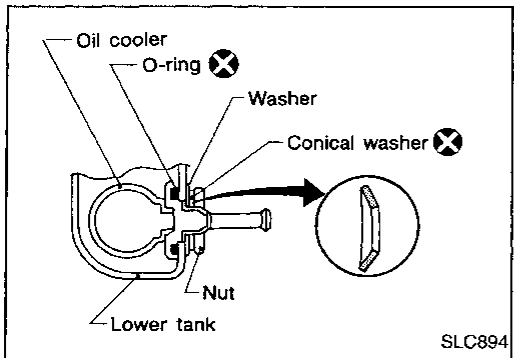


2. Make sure the edge stands straight up.
3. Remove oil cooler from tank.

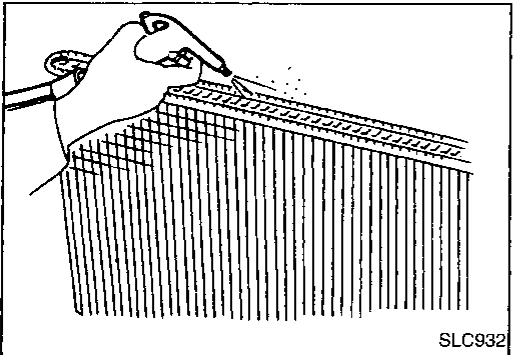
ASSEMBLY

1. Install oil cooler.

Pay attention to direction of conical washer.



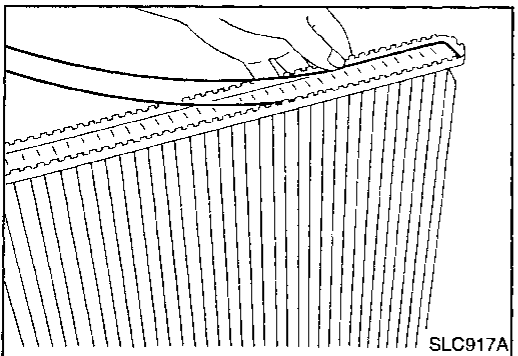
2. Clean contact portion of tank.



3. Install sealing rubber.

Push it in with fingers.

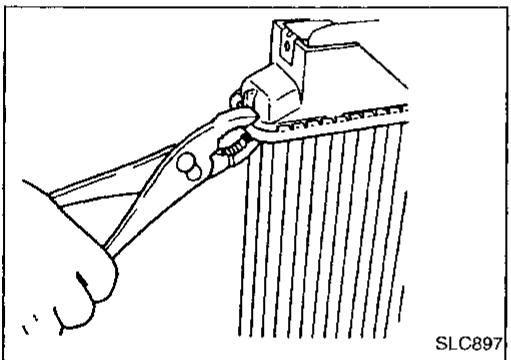
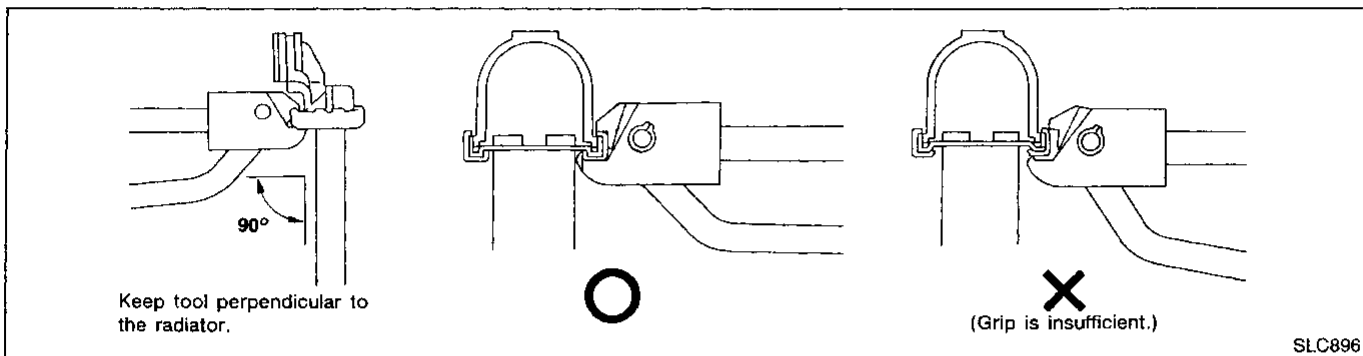
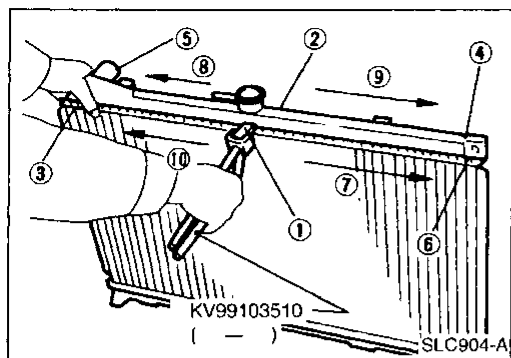
Be careful not to twist sealing rubber.



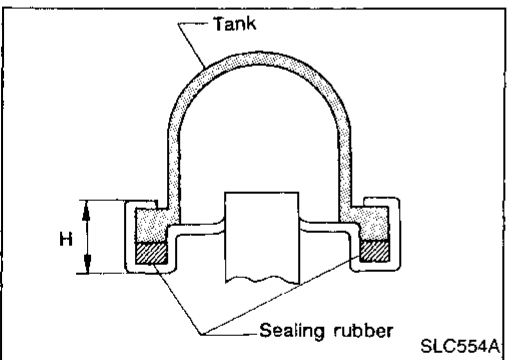
ENGINE COOLING SYSTEM

Radiator (Cont'd)

4. Caulk tank in specified sequence with Tool.



- Use pliers in the locations where Tool cannot be used.

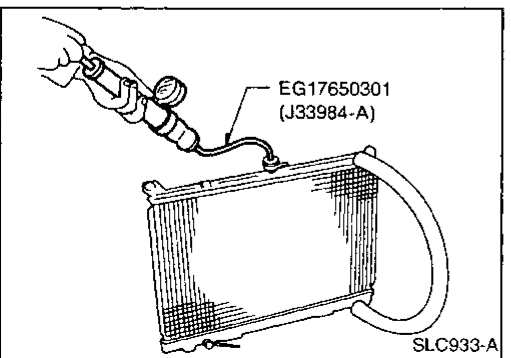


5. Make sure that the rim is completely crimped down.

Standard height "H":
8.0 - 8.4 mm (0.315 - 0.331 in)

6. Confirm that there is no leakage.

Refer to Inspection.



INSPECTION

Apply pressure with Tool.

Specified pressure value:
157 kPa (1.6 kg/cm², 23 psi)

WARNING:

To prevent the risk of the hose coming undone while under pressure, securely fasten it down with a hose clamp. Attach a hose to the oil cooler as well.

GI
MA
EM
LC
EC
FE
AT
PD
FA
RA
BR
ST
RS
BT
HA
EL
IDX

ENGINE COOLING SYSTEM

Overheating Cause Analysis

		Symptom	Check items		
Cooling system parts malfunction	Poor heat transfer	Water pump malfunction	Worn or loose drive belt	---	
		Thermostat stuck closed	---		
		Damaged fins	Dust contamination or paper clogging		---
			Mechanical damage		
		Clogged radiator cooling tube	Excess foreign material (rust, dirt, sand, etc.)		
	Reduced air flow	Fan coupling does not operate.	---	---	
		Cooling fan does not operate.			
		High resistance to fan rotation			
		Damaged fan blades			
		Damaged radiator shroud	---	---	
		Improper coolant mixture ratio	---	---	
		Poor coolant quality	---	---	
	Insufficient coolant	Coolant leaks	Cooling hose	Loose clamp	
Cracked hose					
Water pump			Poor sealing		
Radiator cap			Loose		
			Poor sealing		
Radiator			O-ring for damage, deterioration or improper fitting		
		Cracked radiator tank			
	Cracked radiator core				
	Reservoir tank	Cracked reservoir tank			
Overflowing reservoir tank	Exhaust gas leaks into cooling system	Cylinder head deterioration			
		Cylinder head gasket deterioration			
Except cooling system parts malfunction	---	Overload on engine	Abusive driving	High engine rpm under no load	
				Driving in low gear for extended time	
				Driving at extremely high speed	
			Powertrain system malfunction	---	
		Installed improper size wheels and tires			
	Dragging brakes				
	Improper ignition timing.				
	Blocked or restricted air flow	Blocked bumper	---	---	
Blocked radiator grille		Installed car brassiere			
		Mud contamination or paper clogging			
Blocked radiator		---			
Blocked condenser		---			
Installed large fog lamp		---			

SERVICE DATA AND SPECIFICATIONS (SDS)

Engine Lubrication System

Oil pressure check

Engine speed rpm	Approximate discharge pressure kPa (kg/cm ² , psi)
Idle speed 3,000	More than 78 (0.8, 11) 353 - 451 (3.6 - 4.6, 51 - 65)

Oil pump

		Unit: mm (in)	
Body to outer gear clear- ance ①	0.114 - 0.200 (0.0045 - 0.0079)		GI
Inner gear to crescent clearance ②	0.223 - 0.333 (0.0088 - 0.0131)		MA
Outer gear to crescent clearance ③	0.210 - 0.320 (0.0083 - 0.0126)		EM
Housing to inner gear clearance ④	0.050 - 0.090 (0.0020 - 0.0035)		EM
Housing to outer gear clearance ⑤	0.050 - 0.110 (0.0020 - 0.0043)		LC

Engine Cooling System

Thermostat

		Standard
Valve opening temperature °C (°F)		76.5 (170)
Valve lift mm/°C (in/°F)		More than 10/90 (0.39/194)

Radiator

		Unit: kPa (kg/cm ² , psi)	
Cap relief pressure			FE
Standard	78 - 98 (0.8 - 1.0, 11 - 14)		
Limit	59 - 98 (0.6 - 1.0, 9 - 14)		AT
Leakage test pressure	157 (1.6, 23)		PD

LC

EC

FE

AT

PD

FA

RA

BR

ST

RS

BT

HA

EL

IDX