

Fig. 58: View Of Left Frame Engine Mount Bracket Bolts
Courtesy of GENERAL MOTORS CORP.

16. Graphic shows left, right is similar.

Remove the right frame engine mount bracket bolts, if required.

17. Remove the right frame engine mount bracket, if required.

Installation Procedure

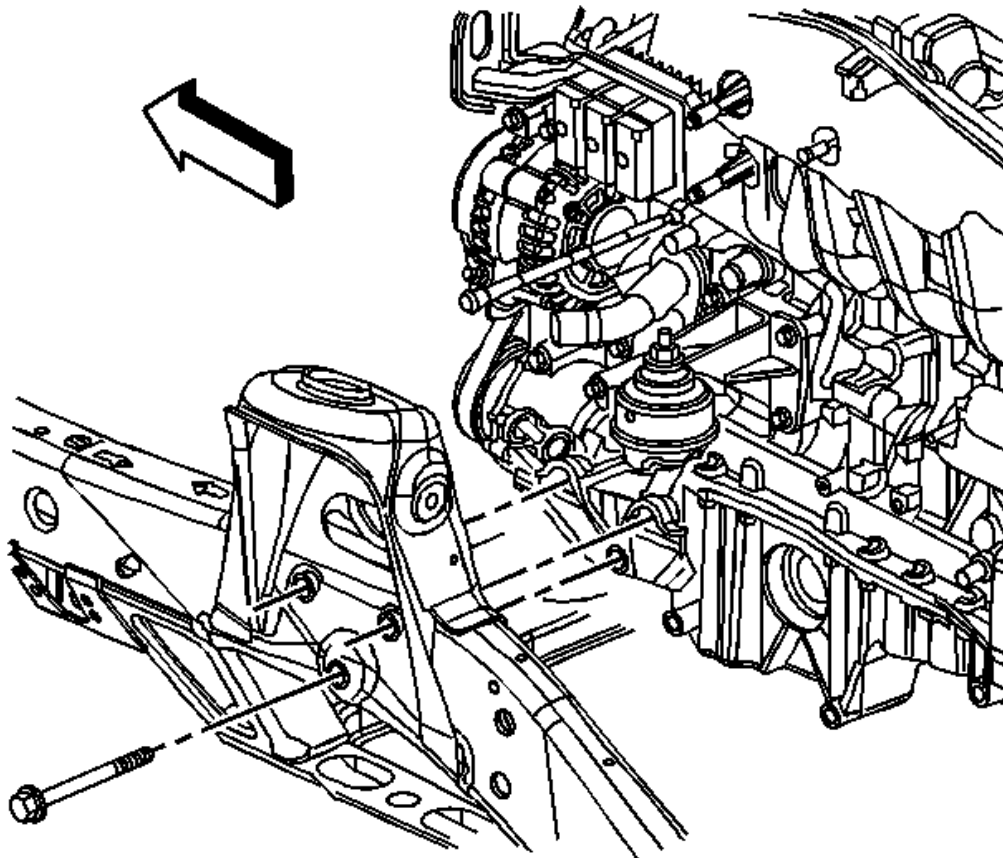


Fig. 59: View Of Left Frame Engine Mount Bracket Bolts
Courtesy of GENERAL MOTORS CORP.

1. Graphic shows left, right is similar.

Install the right frame engine mount bracket, if removed.

NOTE: Refer to **Fastener Notice** .

2. Install the right frame engine mount bracket bolts, if removed.

Tighten: Tighten the mount bracket bolts to 110 N.m (81 lb ft).

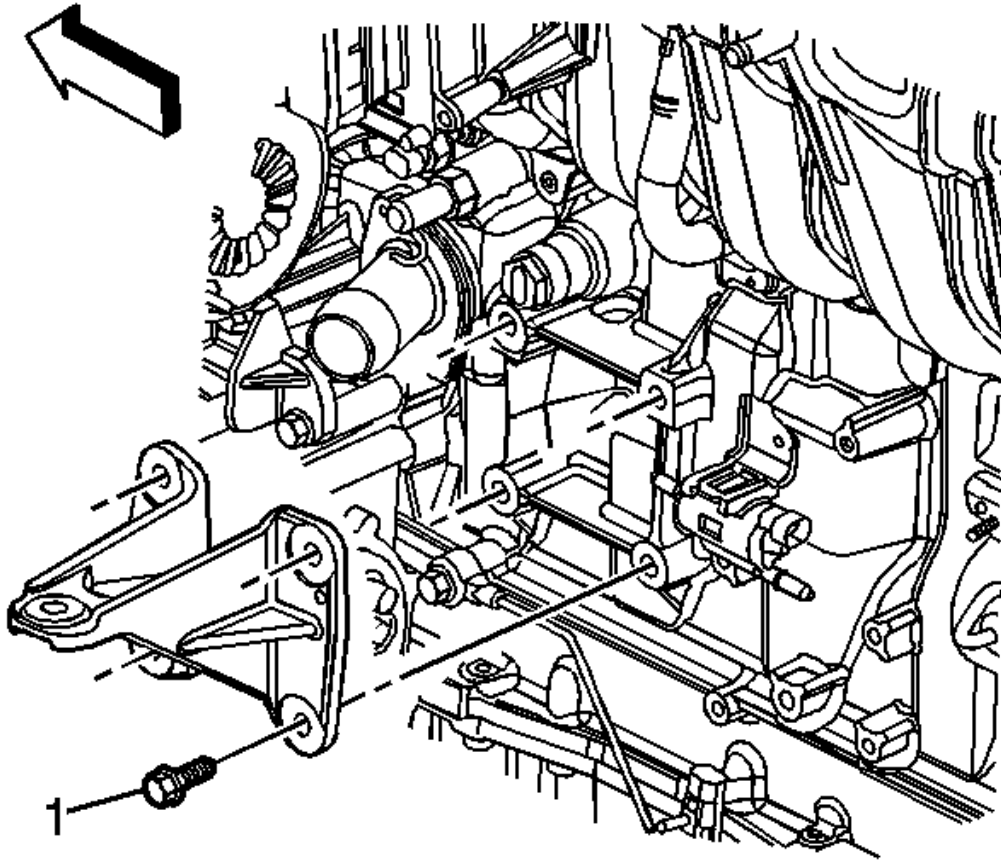


Fig. 60: View Of Left Engine Mount Bracket Bolts
Courtesy of GENERAL MOTORS CORP.

3. Graphic shows left, right is similar.

Install the right engine mount bracket and secure with the bolts (1).

Tighten: Tighten the engine mount bracket bolts to 50 N.m (37 lb ft).

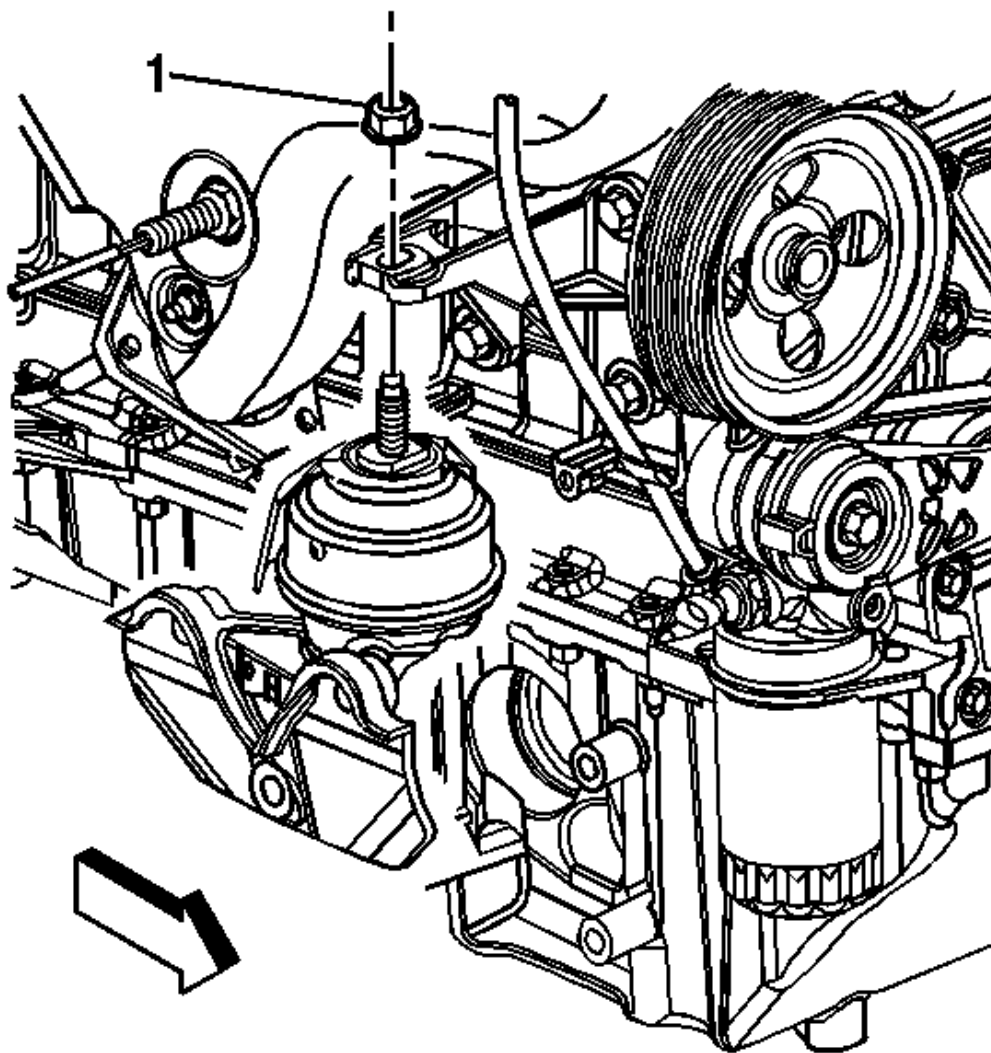


Fig. 61: View Of Upper Engine Mount Nuts
Courtesy of GENERAL MOTORS CORP.

4. Install the right engine mount.

IMPORTANT: Ensure that the heat shield is located properly over the anti-rotation feature - right side only.

5. Lower the engine onto the engine mounts.