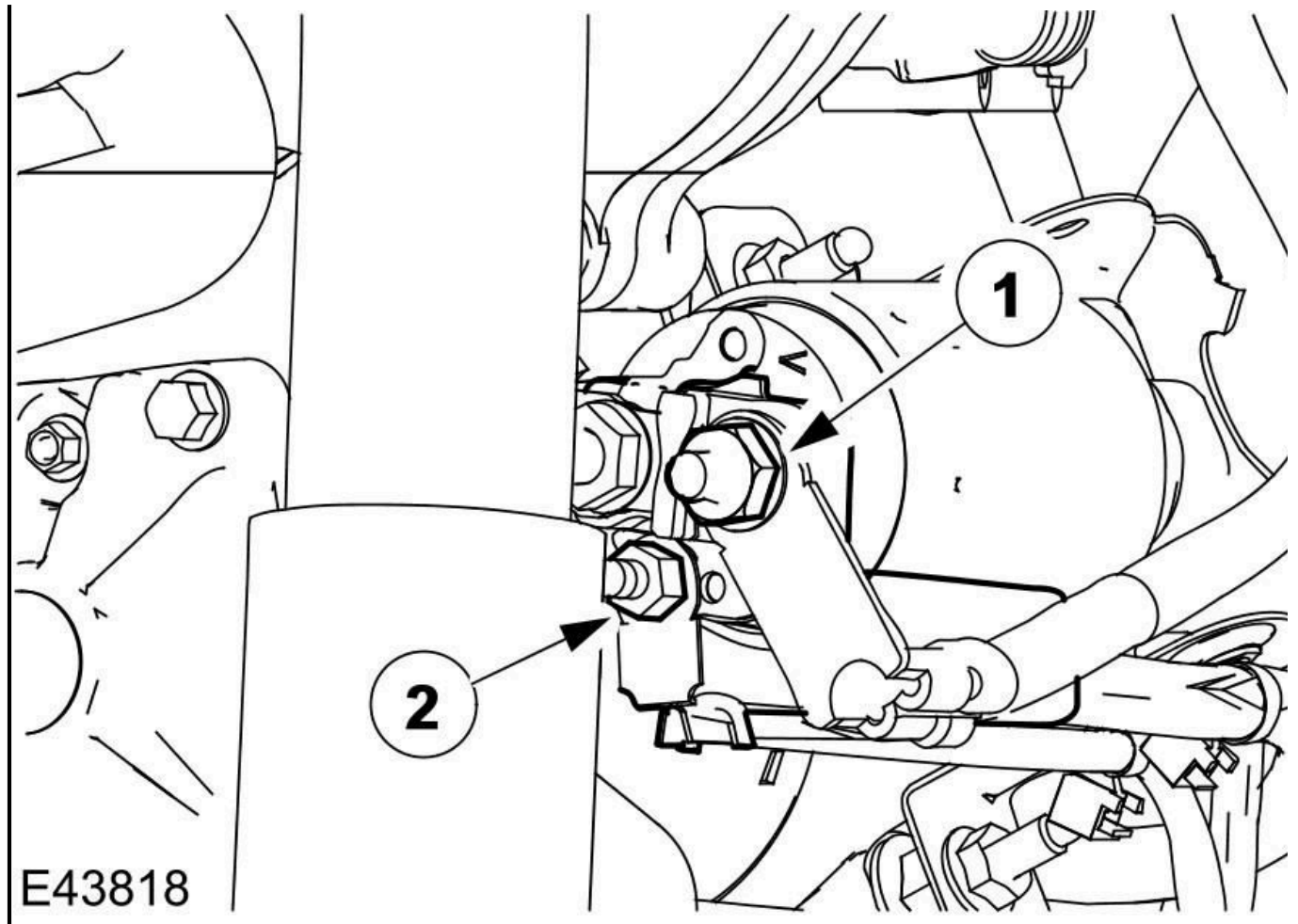
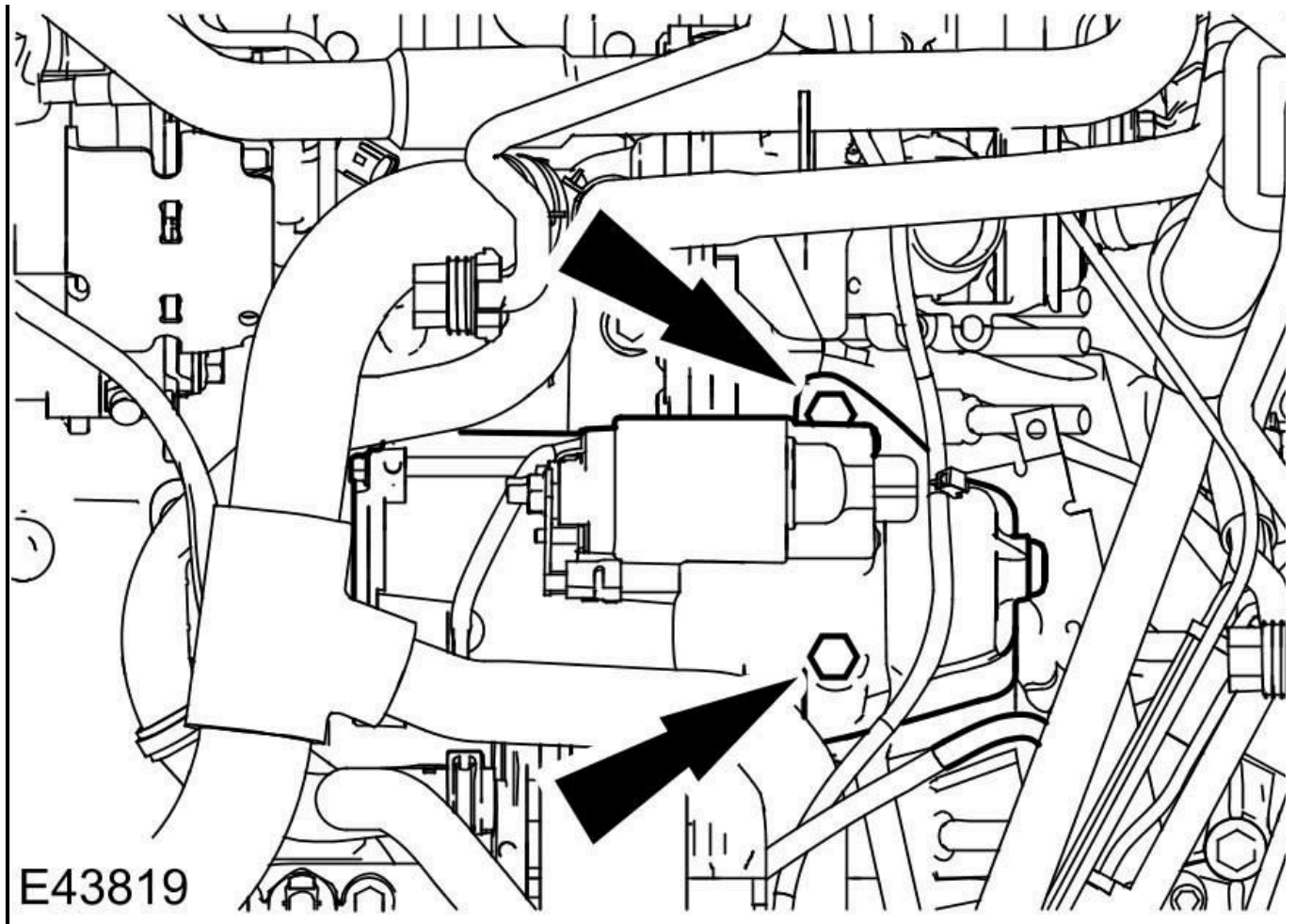


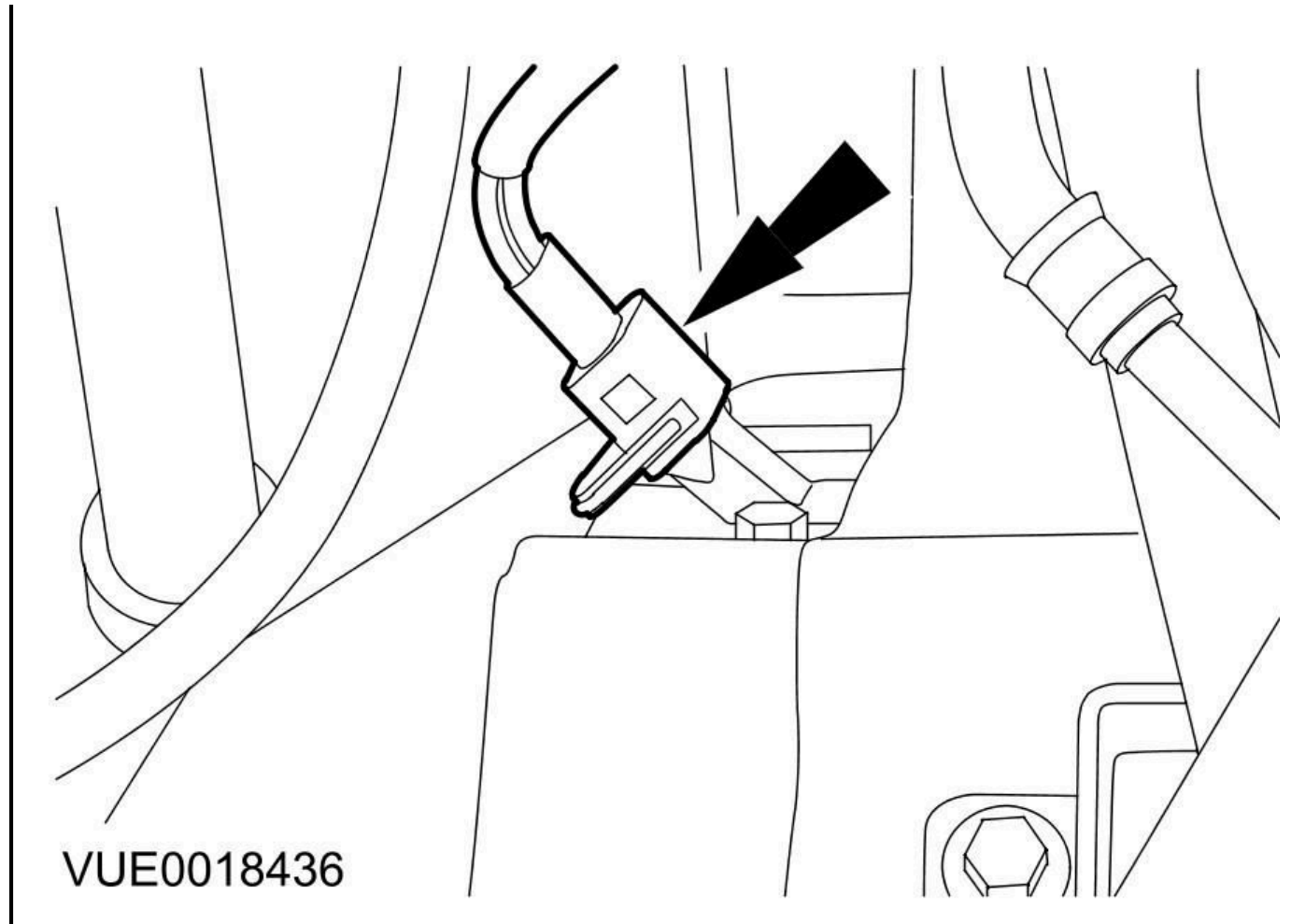
92. Disconnect the starter motor wiring harness electrical connector.



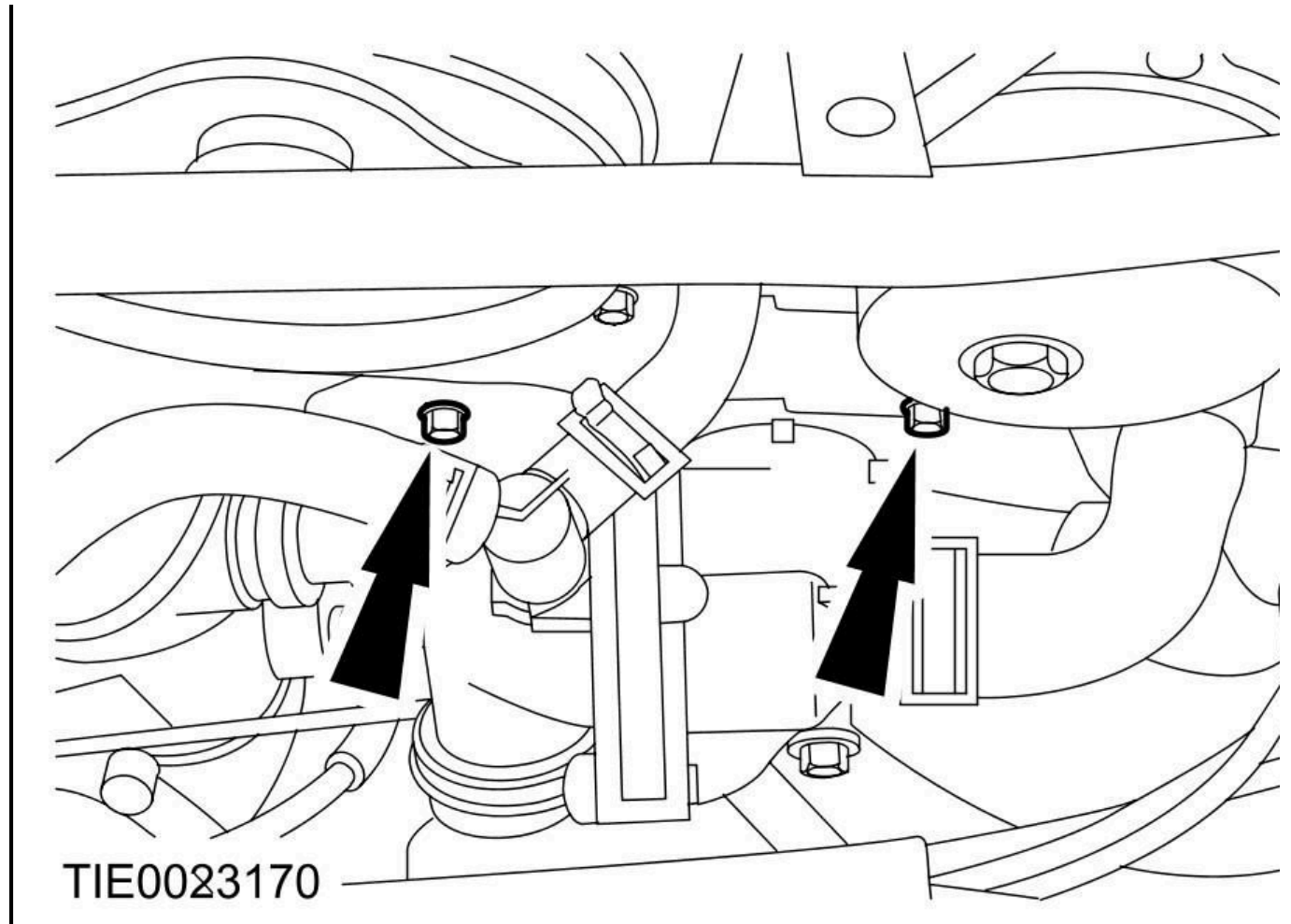
93. Detach the starter motor wiring harness.
1. Disconnect the starter motor electrical connector.
 2. Disconnect the starter motor solenoid electrical connector.



94. Remove the starter motor.



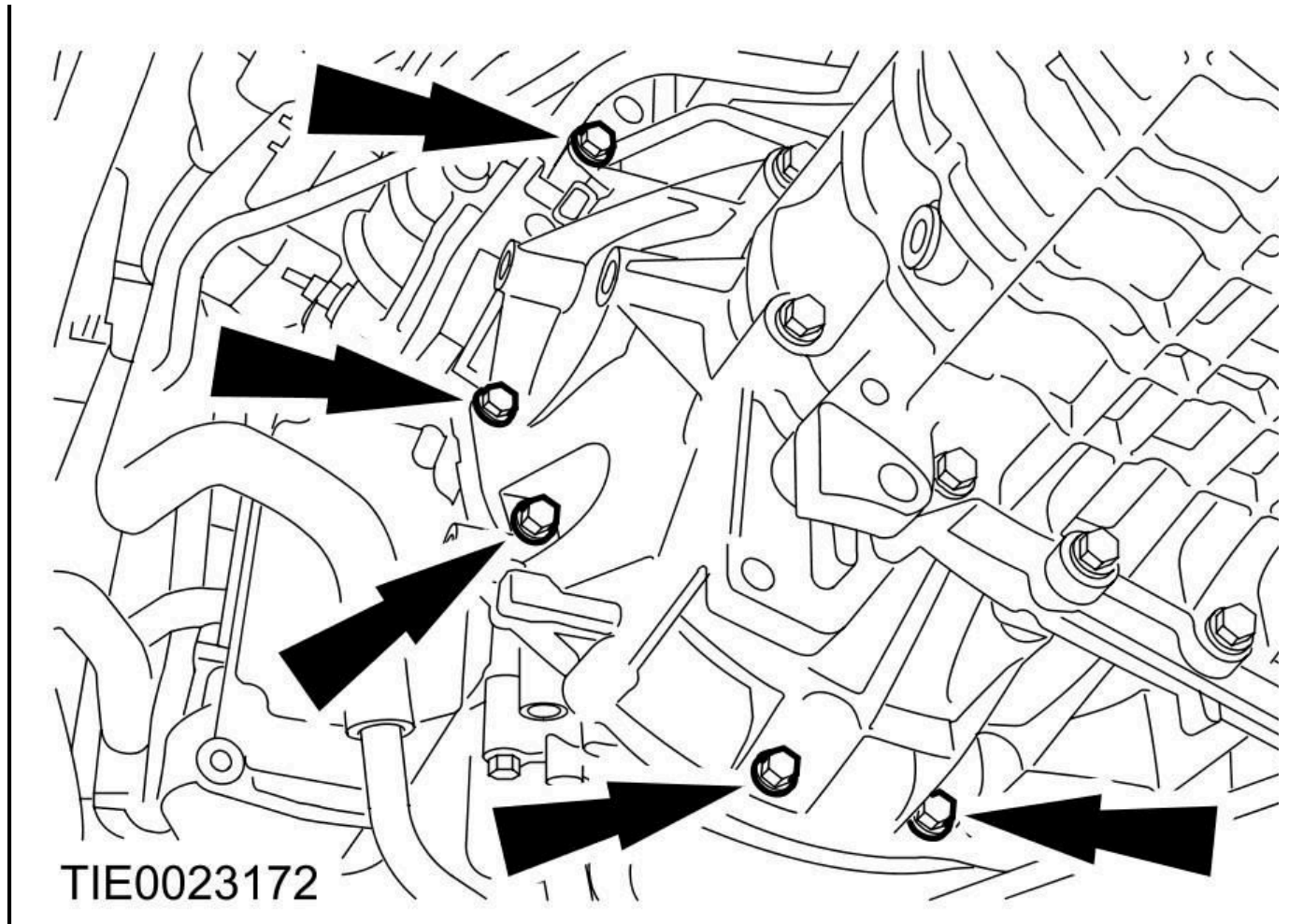
95. Disconnect the crankshaft sensor electrical connector.



96. Remove the transmission upper retaining bolts.

▪

97. Remove the transmission right-hand retaining bolts.



CAUTION: Do not support the engine and transaxle assembly directly on the oil pan. Failure to follow this instruction may cause damage to the component.

98. Remove the engine assembly from the transmission assembly.