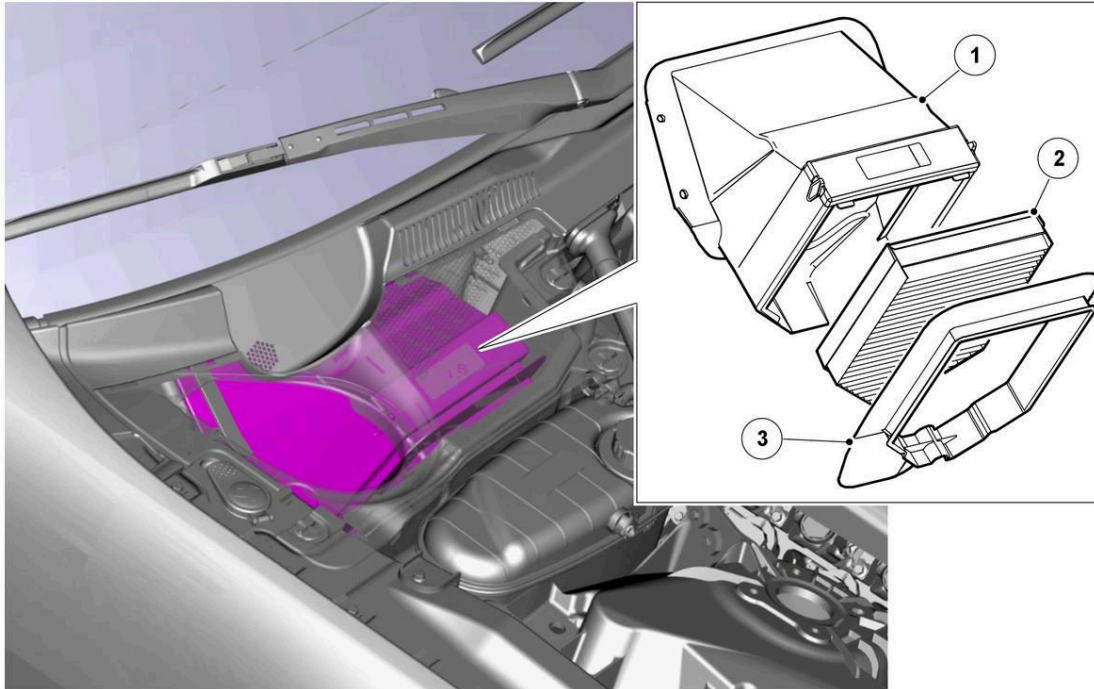


CABIN AIR FILTER

Jaguar - XK8 & XKR

REMOVAL & INSTALLATION

NOTE: Manufacturer's terminology for this filter may be pollen filter or cabin air filter.



E73075

Fig. 1: Cabin Air Filter
Courtesy of JAGUAR CARS, INC.

Item Number	Description
1	Filter housing
2	Cabin air filter
3	Water shield

The cabin air filter is located in a plastic housing on the passenger side of the engine compartment. The filter removes odors and fine particles, including pollen, from air entering the blower assembly.

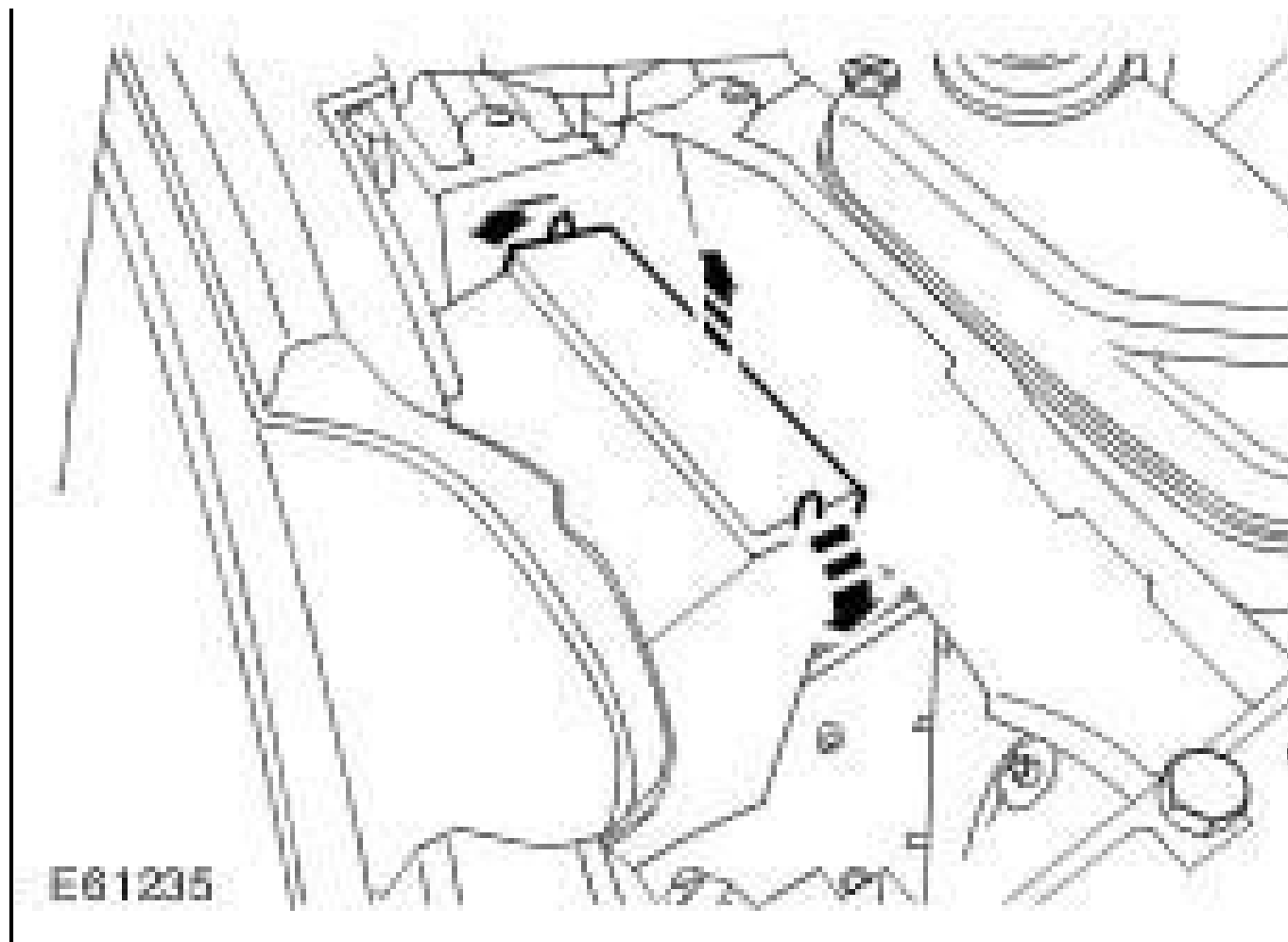
The filter housing also contains a shield to prevent water from contaminating the filter element and entering the heating and ventilation system.

REMOVAL

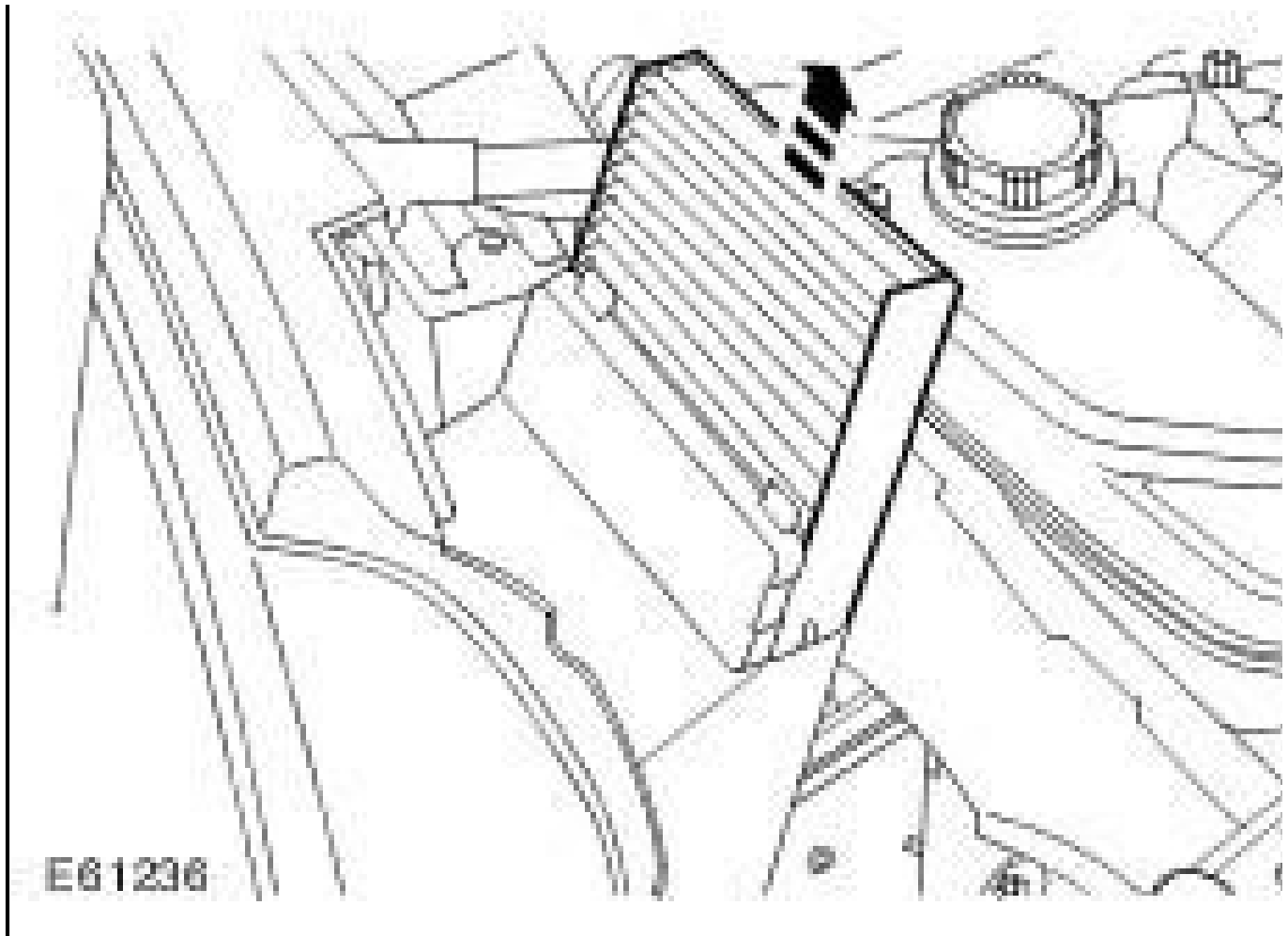
1. Open the hood.



2. Remove the air intake cover.
 - Remove the 3 clips.



3. Release the pollen filter housing cover.
 - Release from the 2 clips.



CAUTION: Remove any debris from the filter aperture.

4. Remove the pollen filter.

INSTALLATION

1. Install the pollen filter.
2. Secure the pollen filter housing cover.
3. Install the air intake cover.
 - Carefully secure the clips.
4. Close the hood.