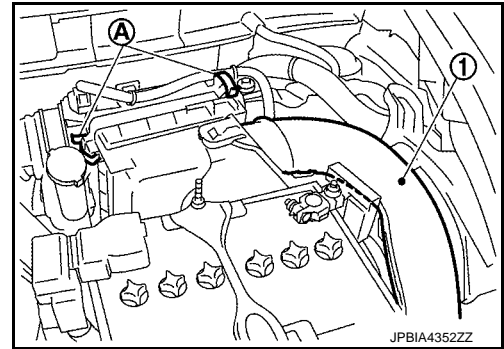


AIR CLEANER FILTER

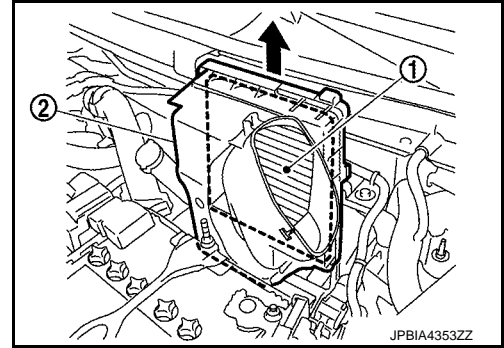
< PERIODIC MAINTENANCE >

[MR EXCEPT FOR NISMO RS MODELS]

1. Remove the inlet air duct (upper) (1).
2. Unhook the tabs (A) of both ends of the air cleaner cover.



3. Remove the air cleaner filter (1) and air cleaner body (2) from the air cleaner case.
4. Remove the air cleaner filter from the air cleaner body.



INSTALLATION

Note the following, and install in the reverse order of removal.

- Fixing clips shall be fixed after inserting air cleaner body protrusion to air cleaner case notch hole.
- Make sure that whether air cleaner body has been firmly installed by shaking it.

Inspection (Viscous Paper Type)

INFOID:000000012961777

INSPECTION AFTER REMOVAL

Examine with eyes that there is no stain, clogging, or damage on air cleaner element.

- Remove dusts (such as dead leaves) on air cleaner element surface and inside cleaner case.
- If clogging or damage is observed, replace the air cleaner element.

CAUTION:

Never clean the viscous paper type air cleaner element by blowing as there is a risk of deterioration of its performance

MAINTENANCE INTERVAL

Refer to [MA-7, "Introduction of Periodic Maintenance"](#).

SPARK PLUG

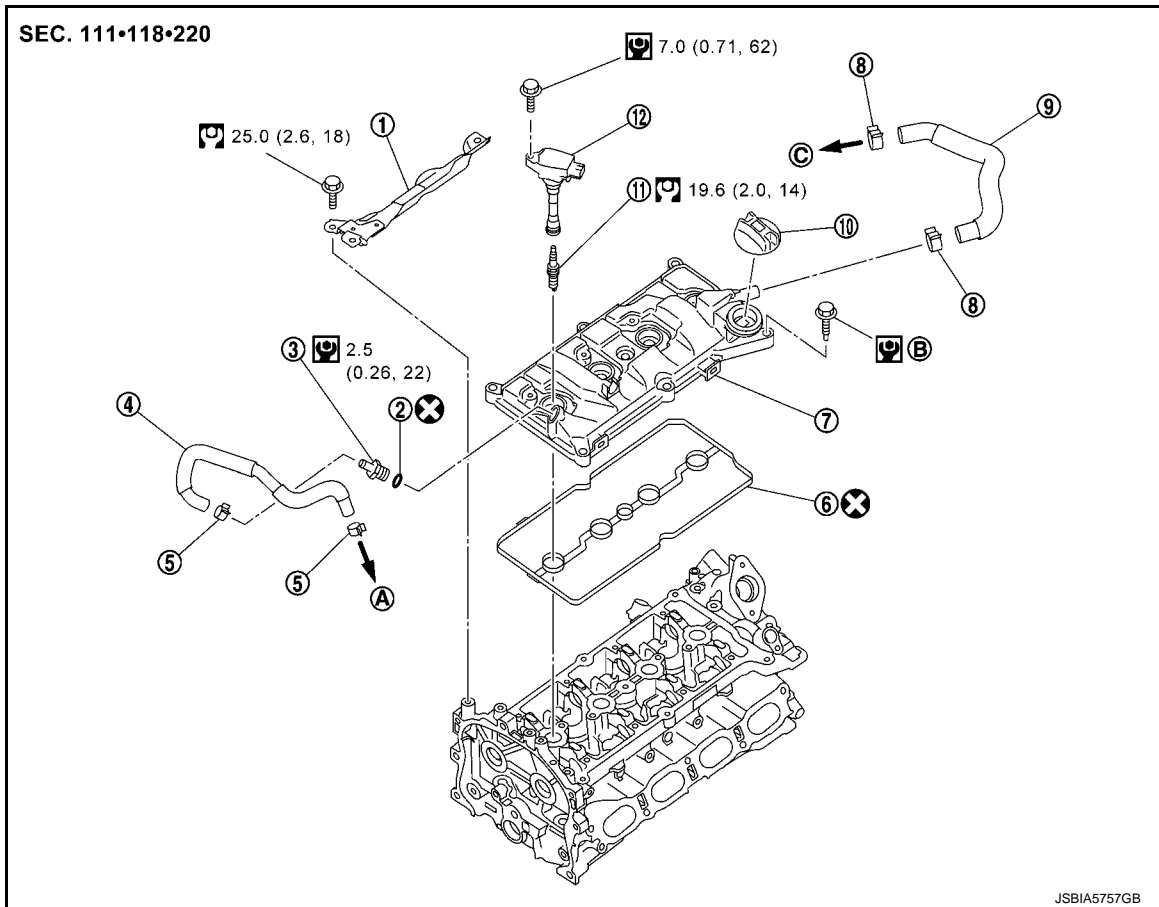
< PERIODIC MAINTENANCE >

[MR EXCEPT FOR NISMO RS MODELS]

SPARK PLUG

Exploded View

INFOID:000000012197376



- | | | |
|---------------------------|---|---|
| 1. Rocker cover protector | 2. O-ring | 3. Positive Crank Ventilation (PCV) valve |
| 4. PCV hose | 5. Clamp | 6. Rocker cover gasket |
| 7. Rocker cover | 8. Clamp | 9. PCV hose |
| 10. Oil filler cap | 11. Spark plug | 12. Ignition coil |
| A. To intake manifold | B. Comply with the assembly procedure when tightening. EM-214 . | C. To turbocharger inlet tube |

⊗: Always replace after every disassembly.

🔧: N·m (kg·m, ft·lb)

🔧: N·m (kg·m, in·lb)

Removal and Installation

INFOID:000000012197377

REMOVAL

1. Remove the engine cover. Refer to [EM-191, "Exploded View"](#).
2. Remove air inlet tube 2. Refer to [EM-194, "Removal and Installation"](#).
3. Remove the ignition coil. Refer to [EM-214, "Exploded View"](#).