

Fig. 12: Identifying Upper Anchor, Retractor And Rear Seat Belt
Courtesy of KIA MOTORS AMERICA, INC.

7. Installation is the reverse of removal.

Center Rear Seat Belt Replacement

CAUTION: • When installing the belt, make sure not to damaged the retractor.

1. Remove the following items first:
 - A. Rear seat back assembly [LH] (Refer to the "**REAR SEAT** ")
 - B. Rear seat back cover [LH] (Refer to the "**REAR SEAT** ")
2. After loosening the mounting bolt, then remove the seat belt center upper anchor (A).

Tightening torque:

39.2~53.9 N.m (4.0~5.5 kgf.m, 28.9~39.8 lb-ft)

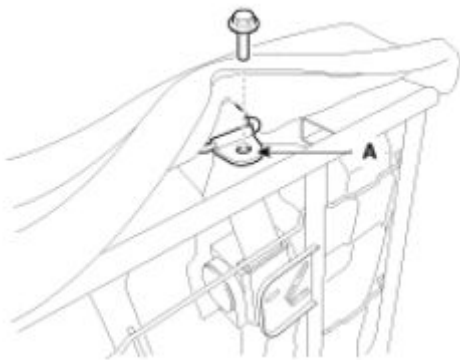


Fig. 13: Identifying Seat Belt Center Upper Anchor
Courtesy of KIA MOTORS AMERICA, INC.

3. After loosening the mounting nut, then remove the seat belt center retractor (A).

Tightening torque:

39.2~53.9 N.m (4.0~5.5 kgf.m, 28.9~39.8 lb-ft)



Fig. 14: Identifying Seat Belt Center Retractor
Courtesy of KIA MOTORS AMERICA, INC.

4. Installation is the reverse of removal.

Rear Seat Belt Buckle Replacement

1. Remove the following items first:
 - A. Rear seat cushion assembly (Refer to the "**REAR SEAT** ")
2. After loosening the mounting bolt, then remove the seat belt buckle (A).

[LH]

Tightening torque:

39.2~53.9 N.m (4.0~5.5kgf.m, 28.9~39.8lb-ft)



Fig. 15: Identifying Seat Belt Buckle (LH)
Courtesy of KIA MOTORS AMERICA, INC.

[RH]

Tightening torque:

39.2~53.9 N.m (4.0~5.5kgf.m, 28.9~39.8lb-ft)



Fig. 16: Identifying Seat Belt Buckle (RH)
Courtesy of KIA MOTORS AMERICA, INC.

3. Installation is the reverse of removal.