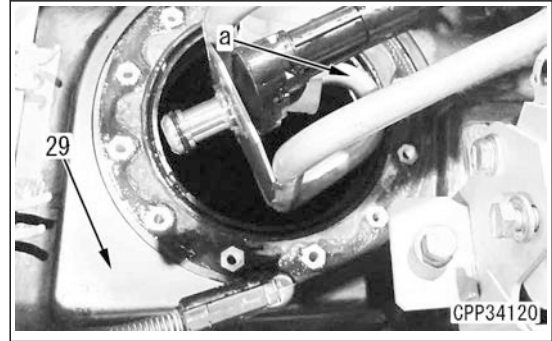


NOTICE

- Pull out curved tip (a) of AdBlue/DEF tank sensor (28) carefully not to interfere with the tank (29).
- Cover the connection with a clean plastic sheet, etc. to prevent entering of dust or sticking of AdBlue/DEF.
After disconnecting the heater hose, install vinyl sack to the hose side and plug the nipple side to prevent leakage of AdBlue/DEF.




METHOD FOR INSTALLING AdBlue/DEF TANK SENSOR FLANGE ASSEMBLY

AdBlue/DEF tank assembly

1. Install O-rings (30) and (31), and install AdBlue/DEF tank sensor flange assembly (28).

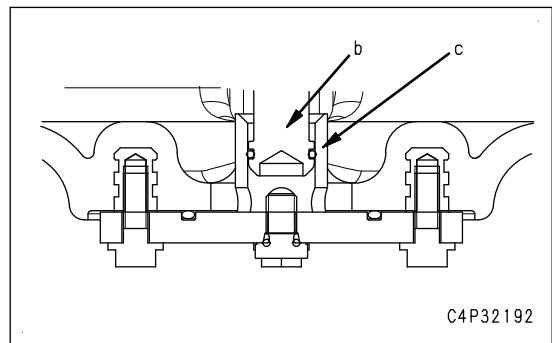
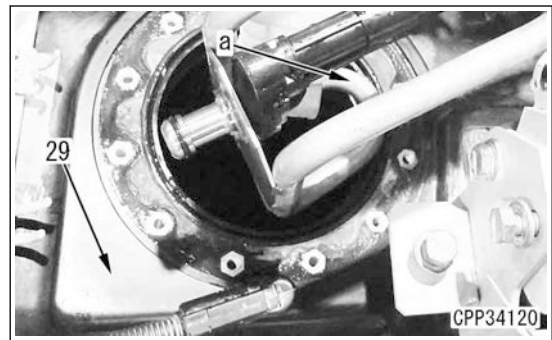
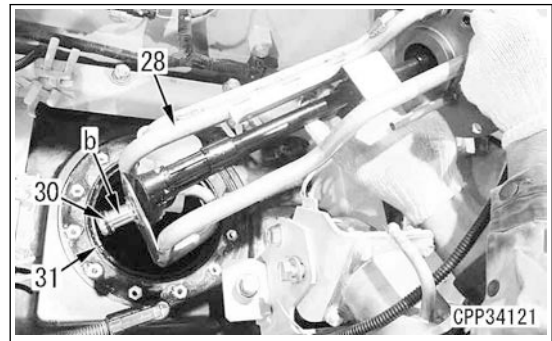
NOTICE

- Use new O-rings (30) and (31).
- Check if tip (b) of AdBlue/DEF tank sensor (28) is certainly inserted into tank grooving bottom (c).
- If any foreign material is mixed into AdBlue/DEF tank, it may be the cause of the failure. Do not use grease, lubricating oil or any lubricating substance.
- Apply distilled water to AdBlue/DEF tank sensor flange assembly (28) to prevent O-rings (30) and (31) from being damaged, dropped, caught, and twisted.


 O-rings (30) and (31):
Distilled water

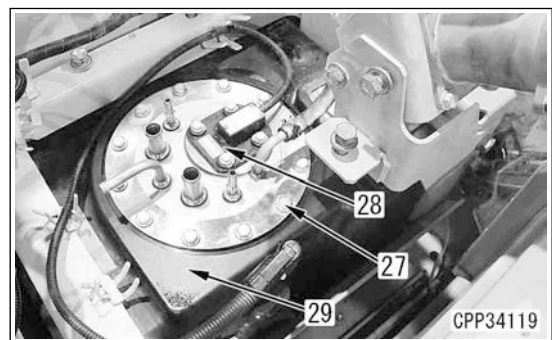
NOTICE

If any foreign material is mixed into AdBlue/DEF tank, it may be the cause of the failure. Do not use grease, lubricating oil or any lubricating substance.



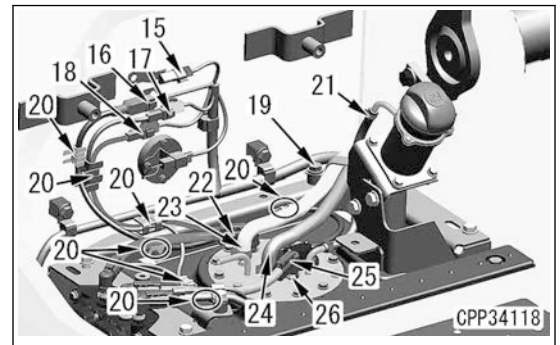
2. Install mounting bolts (27) (12 pieces).

 Mounting bolt (27):
9.5 to 10.5 Nm {0.97 to 1.07 kgm}

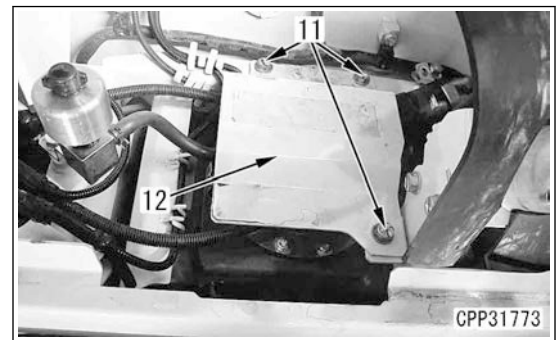
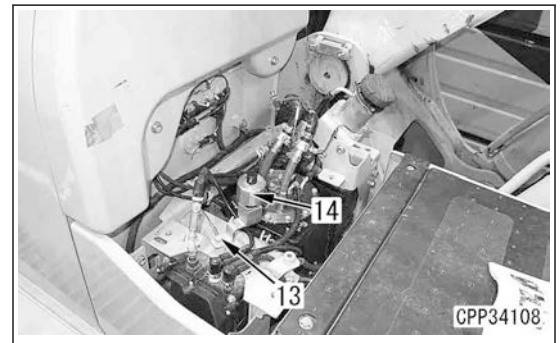


Hose, Connector

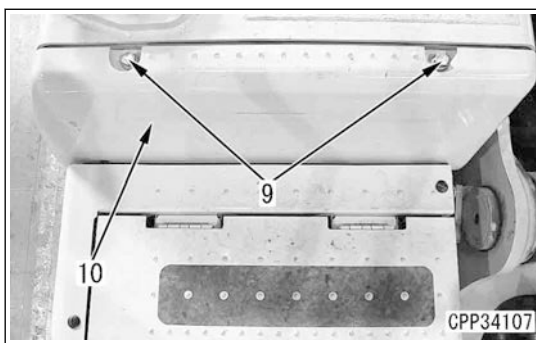
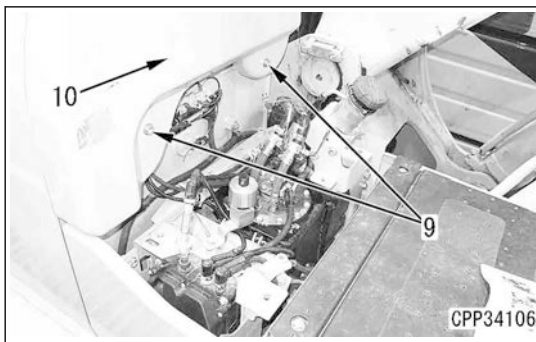
3. Install the following hoses.
 - Hose (21): Air bleeding
 - Hose (22): AdBlue/DEF suction hose
 - Hose (23): Heater IN
 - Hose (24): Heater OUT
 - Hose (25): AdBlue/DEF return hose
4. Install the following connectors.
 - Connector K10 (15)
 - Connector P63 (16)
 - Connector MB06A (17)
 - Connector MB04 (18)
5. Install clamp (19).
6. Install clips (20) (7 places).

**Cover**

7. Install breather (14) with mounting bolt (13).
8. Install cover (12) with mounting bolts (11) (3 pieces).



9. Install fuel tank front cover (10) with mounting bolts (9) (4 pieces).




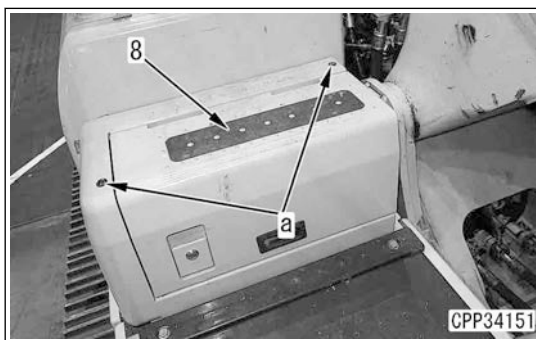
AdBlue/DEF tank filler port case

10. Sling AdBlue/DEF tank filler port case (8) and install it.

REMARK

Remove cap (a) on the top of AdBlue/DEF tank filler port cover (8), and install lifting tool to it.

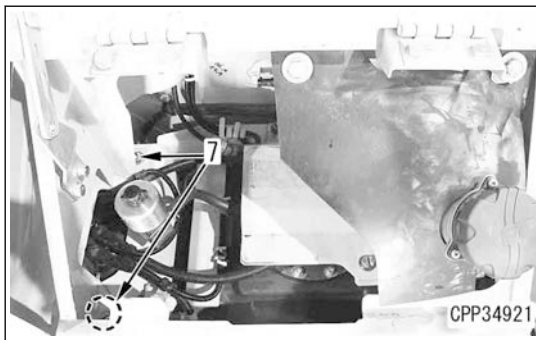
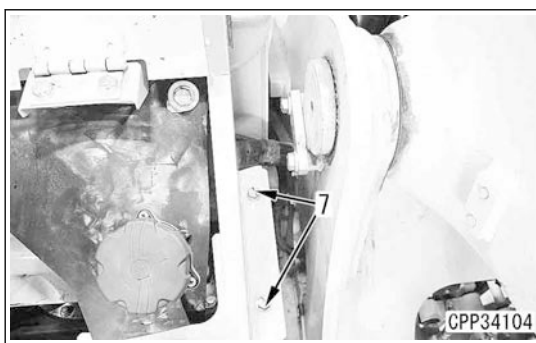
 AdBlue/DEF tank filler port case (8):
15 kg



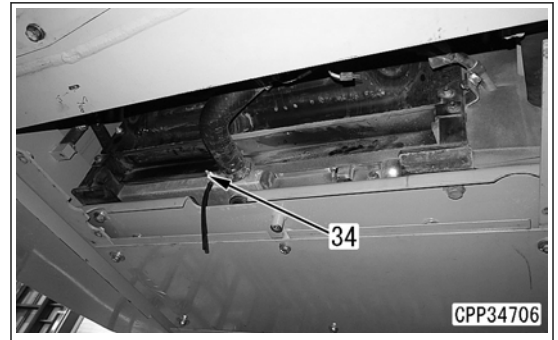
11. Install mounting bolts (7) (4 pieces).

REMARK

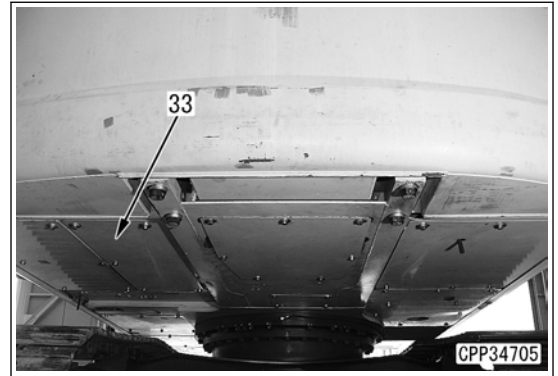
Bolts on the left side of the machine are provided outside of the case, and right side bolts are inside.



12. Close drain valve (34).




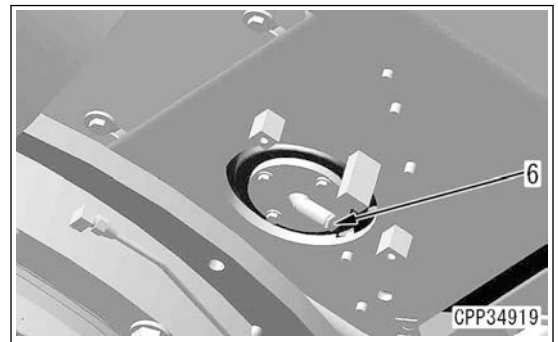
13. Install undercover (33).



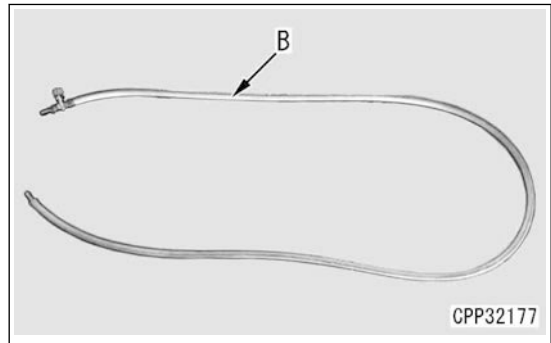
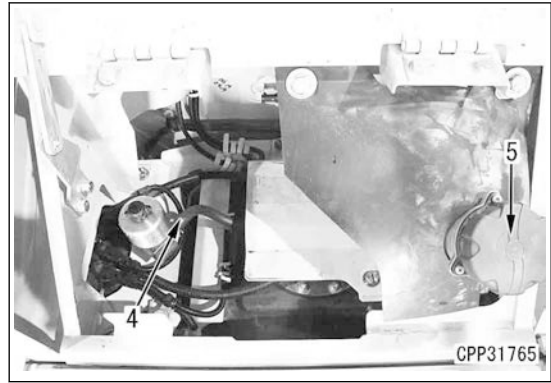
AdBlue drain plug

14. Tighten drain plug (6).

 Drain plug (6):
9.8 to 12.7 Nm {1.0 to 1.3 kgm}

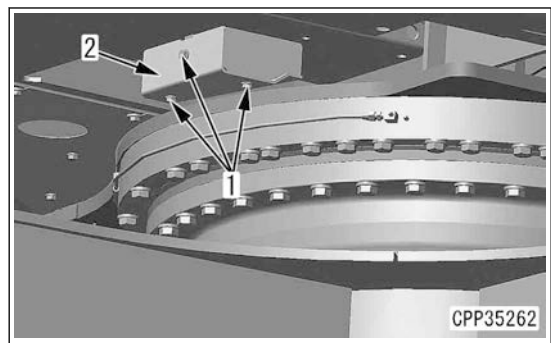


15. Disconnect tool B which was installed when draining of AdBlue/DEF, and connect breather hose (4) to the breather.
16. Close AdBlue/DEF tank filler port cover (3).



Undercover

17. Install AdBlue/DEF tank front cover (2) with mounting bolts (1) (2 pieces).



Adding AdBlue/DEF

18. Refill AdBlue/DEF tank with AdBlue/DEF to the specified level through the filler port.



AdBlue/DEF tank:

39 ℓ (For details, see STRUCTURE AND FUNCTION, “TABLE OF FUEL, COOLANT, AND LUBRICANTS”.)

Refilling with coolant

19. Refill the radiator with coolant to the specified level through the coolant filler port. Run the engine to circulate the coolant. Then check the coolant level again. (For details, see STRUCTURE AND FUNCTION, “TABLE OF FUEL, COOLANT, AND LUBRICANTS”.)



Radiator (coolant):

36 l

REMOVE AND INSTALL AdBlue/DEF TANK SENSOR



C4D26321

METHOD FOR REMOVING AdBlue/DEF TANK SENSOR

AdBlue/DEF tank sensor flange assembly

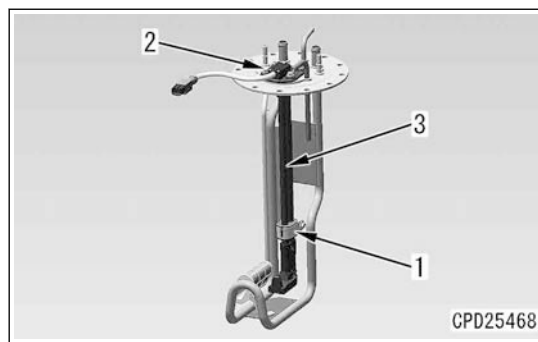
1. Remove AdBlue/DEF tank sensor flange assembly. For details, see "REMOVE AND INSTALL AdBlue/DEF TANK SENSOR FLANGE ASSEMBLY".

AdBlue/DEF sensor

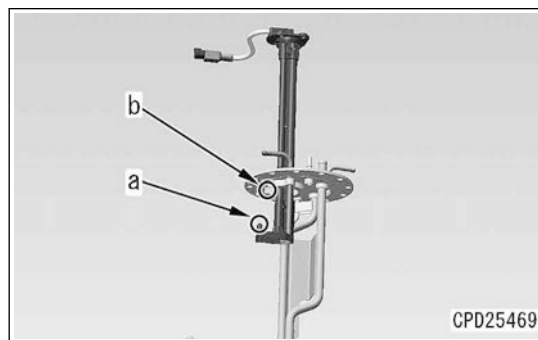
2. Remove clamp (1).
3. Remove mounting bolts (2) (4 pieces), and remove AdBlue/DEF sensor (3).

NOTICE

Pull out tip (a) of AdBlue/DEF tank sensor (3) carefully not to interfere with edge (b) of AdBlue/DEF tank sensor flange assembly.



CPD25468



CPD25469


METHOD FOR INSTALLING AdBlue/DEF TANK SENSOR

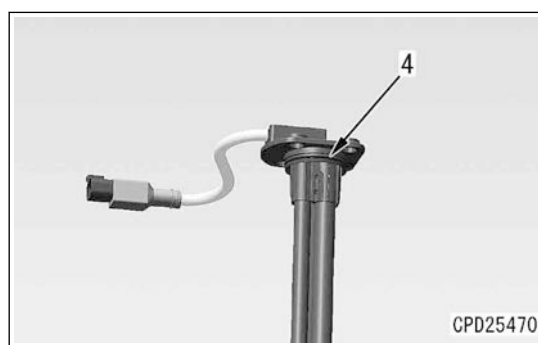
AdBlue/DEF sensor

1. Install O-ring (4).

REMARK

- Use a brand new O-ring.
- If any foreign material is mixed into AdBlue/DEF tank, it may be the cause of the failure. Do not use grease, lubricating oil or any lubricating substance.
- Apply distilled water to O-ring (4) for lubricating.

 O-ring (4):
Distilled water



CPD25470