

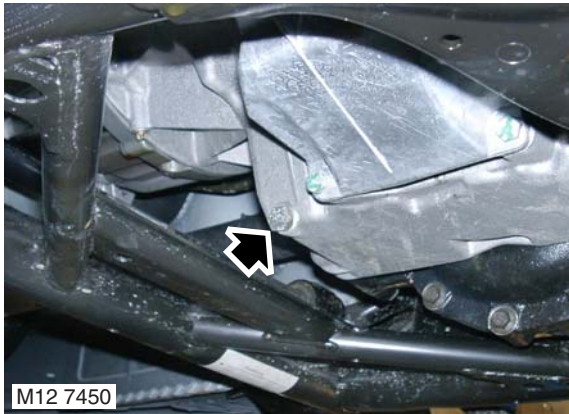


Engine oil and filter - Td6 engine

WARNING: Avoid excessive skin contact with used engine oil. Used engine oil contains potentially harmful contaminants which may cause skin cancer or other serious skin disorders.

Replace

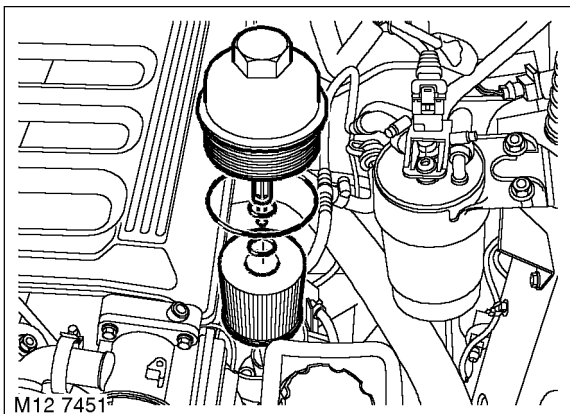
1. Raise vehicle on ramp.
2. Position suitable container beneath sump.
3. Clean area around oil drain plug.



4. Remove oil drain plug, discard sealing washer.
5. Allow oil to drain.

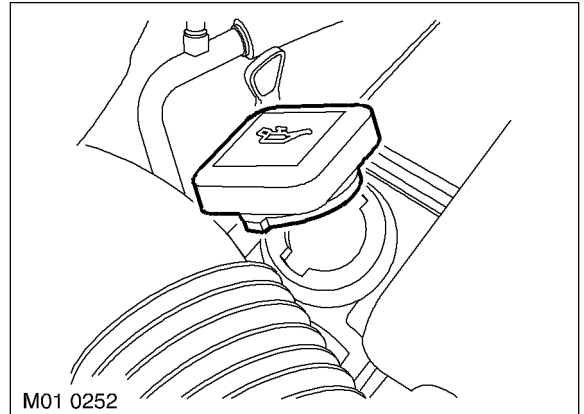
WARNING: Observe due care when draining oil as oil can be very hot.

6. Lower vehicle.

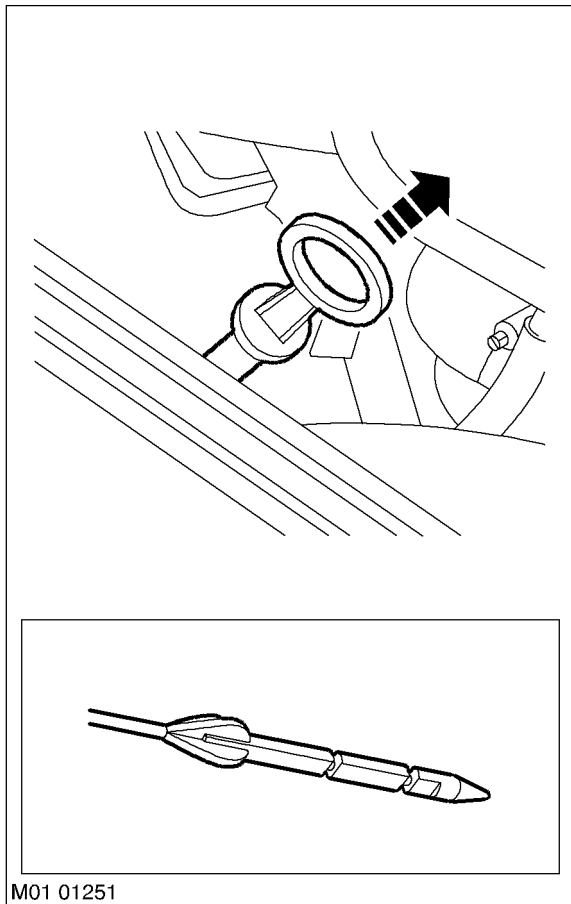


7. Remove oil filter cap, remove and discard 'O' ring.
8. Remove and discard filter element.
9. Remove and discard 'O' ring from centre spindle.

10. Clean filter housing and cap.
11. Fit new filter element.
12. Lubricate new 'O' rings with engine oil and fit to centre spindle and oil filter cap.
13. Fit oil filter cap and tighten to 25 Nm (18 lbf.ft).
14. Raise vehicle on ramp.
15. Fit new sealing washer to oil drain plug.
16. Fit oil drain plug and tighten to 23 Nm (17 lbf.ft).
17. Lower vehicle.



18. Remove oil filler cap.



M01 01251

19. Fill engine with recommended grade of oil to correct mark on dipstick.
☞ CAPACITIES, FLUIDS, LUBRICANTS AND SEALANTS, Lubrication.
20. Start engine, run at idle until oil pressure light is extinguished.
21. Stop engine, recheck oil level.
22. Check for signs of oil leakage.

Engine oil and filter - V8 engine

WARNING: Avoid excessive skin contact with used engine oil. Used engine oil contains potentially harmful contaminants which may cause skin cancer or other serious skin disorders.

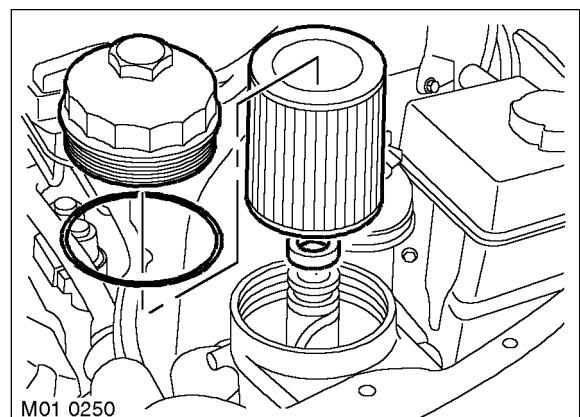
Replace

1. Raise vehicle on ramp.
2. Position suitable container beneath sump.
3. Clean area around oil drain plug.



M01 0253

4. Remove oil drain plug and discard sealing washer.
5. Allow oil to drain.
WARNING: Observe due care when draining oil as oil can be very hot.
6. Lower vehicle.

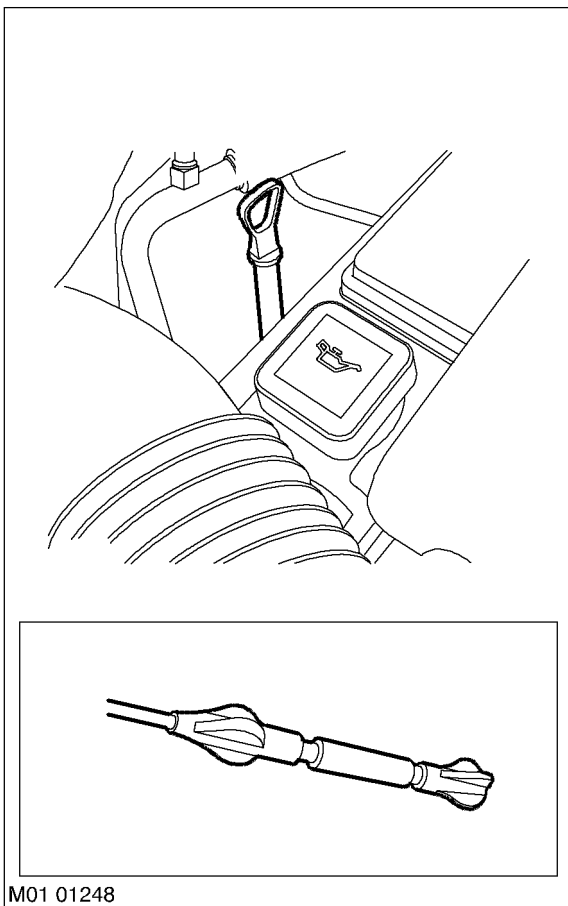


M01 0250

7. Remove oil filter cap, remove and discard 'O' ring.
8. Remove and discard filter element.



9. Remove and discard sealing ring from centre spindle.
10. Clean filter housing and cap.
11. Lubricate new 'O' ring and sealing ring with engine oil and fit to cap and centre spindle.
12. Fit new filter element ensuring that large diameter hole in centre of element is towards bottom of filter housing.
13. Fit oil filter cap and tighten to 25 Nm (18 lbf.ft).
14. Raise vehicle on ramp.
15. Fit new sealing washer to oil drain plug.
16. Fit oil drain plug and tighten to 23 Nm (17 lbf.ft).
17. Lower vehicle.



18. Remove oil filler cap and fill engine with recommended grade of oil to correct mark on dipstick.
 - ☞ **CAPACITIES, FLUIDS, LUBRICANTS AND SEALANTS, Lubrication.**
19. Start engine, run at idle until oil pressure light is extinguished.
20. Stop engine, recheck oil level.
21. Check for signs of oil leakage.

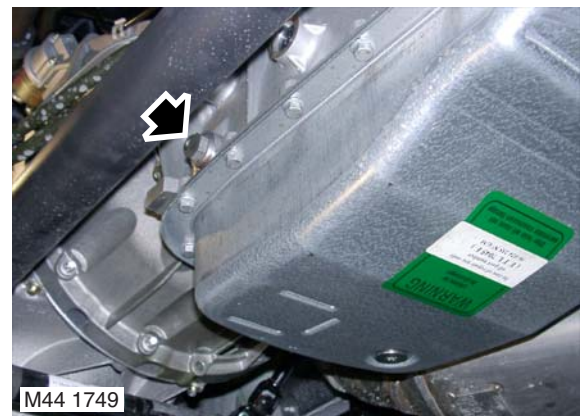
Gearbox fluid - Td6

Check/top-up

1. Position vehicle on lift.
2. Apply handbrake and position chocks under front and rear wheels.
3. Connect TestBook/T4 to monitor gearbox fluid temperature.

CAUTION: The gearbox fluid level must only be checked when the temperature of the fluid is between 35°C and 45°C. The reading obtained will be incorrect if the fluid is outside this temperature range.

4. Start engine, move selector lever from 'P' through all gear positions, pausing in each gear position for 2-3 seconds and return to 'P' position.



5. Clean area around filler/level plug.
6. With the engine running, remove filler/level plug and allow excess fluid to drain off.

WARNING: Observe due care when draining gearbox fluid as the fluid can be very hot.

7. If no fluid loss is apparent when filler/level plug is removed, with the engine at idle, fill gearbox with recommended fluid until a small thread of fluid runs from filler/level plug hole.

WARNING: Avoid excessive skin contact with mineral oil. Mineral oils remove the natural fats from the skin, leading to dryness, irritation and dermatitis.

8. Move selector lever from 'P' through each gear position and return to 'P', allowing any excess fluid to drain off.
9. Fit new filler/level plug and tighten to 20 Nm (15 lbf.ft).
10. Disconnect TestBook/T4.