

2014 Lexus GX 460

2014 ENGINE Lubrication System (Service Information) - GX460

2014 ENGINE

Lubrication System (Service Information) - GX460

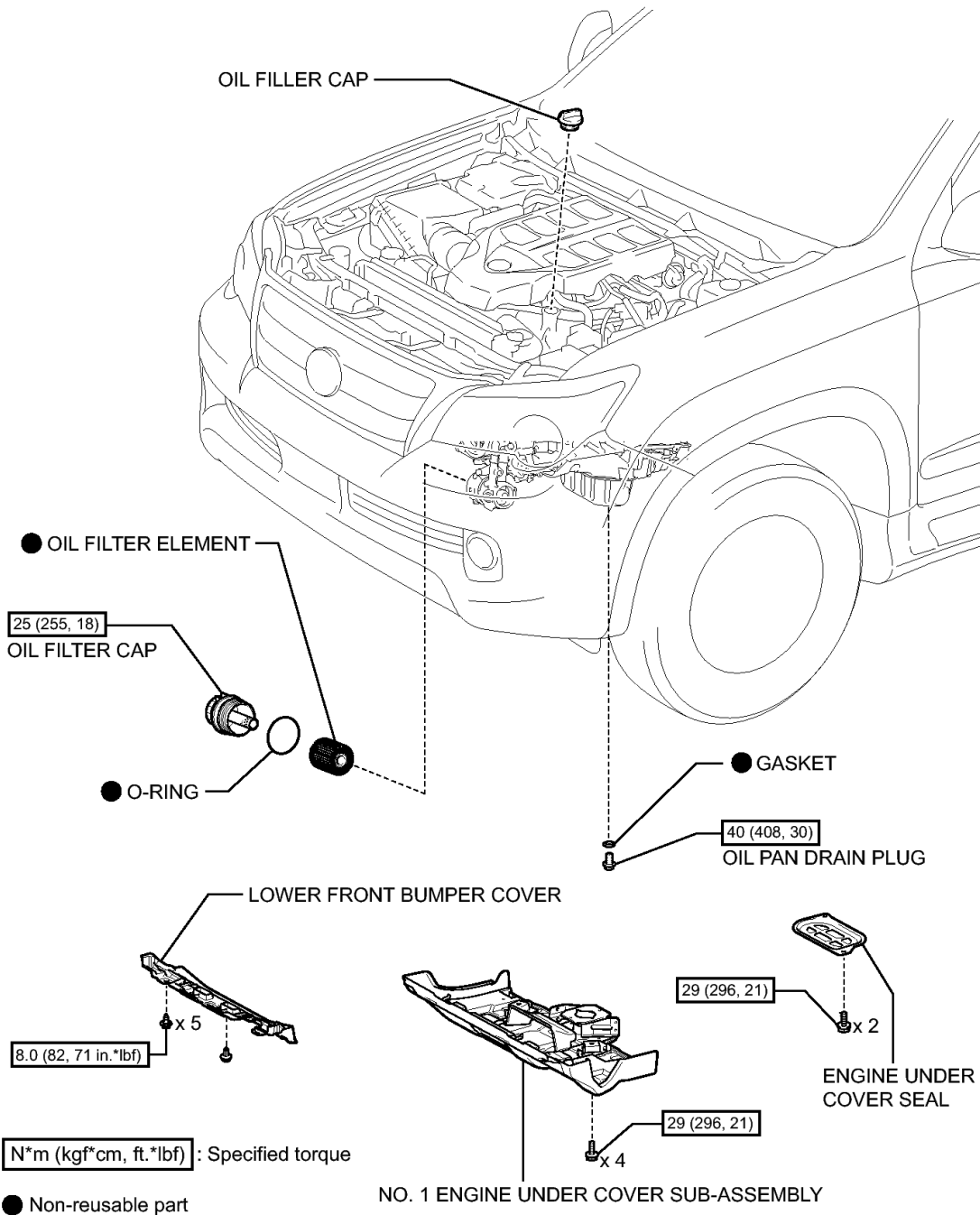
OIL AND OIL FILTER

COMPONENTS [08/2013 -]

ILLUSTRATION

2014 Lexus GX 460

2014 ENGINE Lubrication System (Service Information) - GX460



P

Fig. 1: Identifying Oil And Oil Filter Replacement Components With Torque Specifications
Courtesy of TOYOTA MOTOR SALES, U.S.A., INC.

REPLACEMENT [08/2013 -]

REPLACEMENT [08/2013 -]

WARNING:

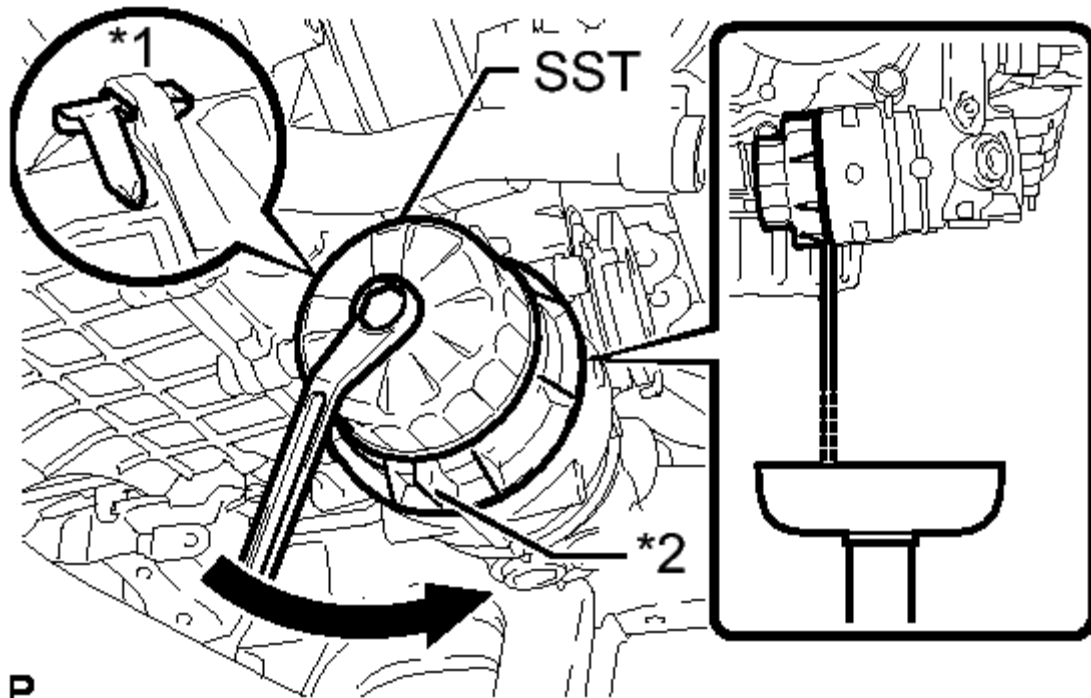
- **Prolonged and repeated contact with engine oil will result in the removal of natural oils from the skin, leading to dryness, irritation and dermatitis. In addition, used engine oil contains potentially harmful contaminants which may cause skin cancer.**
- **Precautions should be taken when replacing engine oil to minimize the risk of your skin making contact with used engine oil. Protective clothing and gloves that cannot be penetrated by oil should be worn. The skin should be washed with soap and water, or use waterless hand cleaner, to remove any used engine oil thoroughly. Do not use gasoline, thinners or solvents.**
- **In order to protect the environment, used oil and used oil filters must be disposed of at designated disposal sites.**

1. DRAIN ENGINE OIL

- a. Remove the 2 bolts and engine under cover seal.
- b. Remove the oil filler cap.
- c. Remove the oil pan drain plug and gasket, and then drain the engine oil into a container.
- d. Install a new gasket and the oil pan drain plug.

Torque: 40 N*m (408 kgf*cm, 30 ft.*lbf)

- 2. REMOVE LOWER FRONT BUMPER COVER** . Refer to **REMOVAL [08/2013 -] - Step 7**
- 3. REMOVE NO. 1 ENGINE UNDER COVER SUB-ASSEMBLY** . Refer to **REMOVAL [08/2013 -] - Step 8**
- 4. REMOVE OIL FILTER ELEMENT**
 - a. Using SST, loosen the oil filter cap 4 revolutions, align the cap ribs vertically and drain the remaining engine oil in the oil filter cap.



P

Fig. 2: Removing Oil Filter Cap

Courtesy of TOYOTA MOTOR SALES, U.S.A., INC.

- SST: 09228-06501

TEXT IN ILLUSTRATION

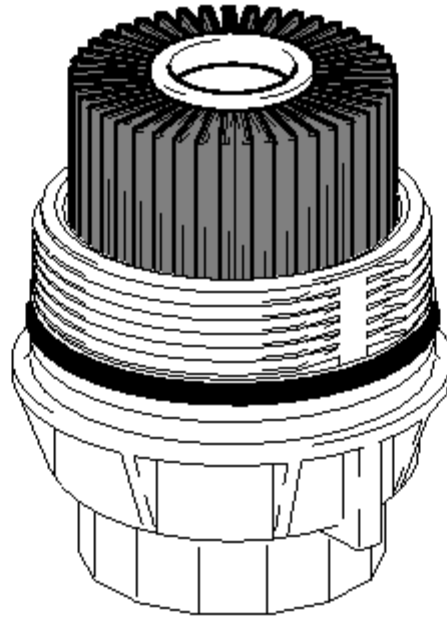
*1	Oil Filter Bracket Clip
*2	Cap Rib

HINT:

Use a container to catch the draining oil. After the oil filter cap is loosened approximately 4 turns and the cap ribs are vertical, the engine oil drains from the gap between the oil filter cap and oil pan.

NOTE: Do not remove the oil filter bracket clip when removing the oil filter cap.

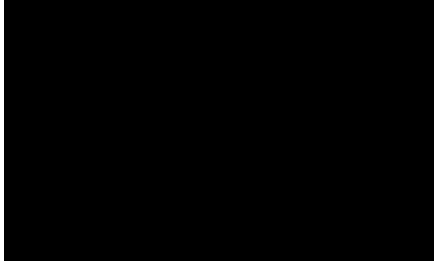
- Remove the oil filter cap.
- Remove the oil filter element and O-ring from the oil filter cap.

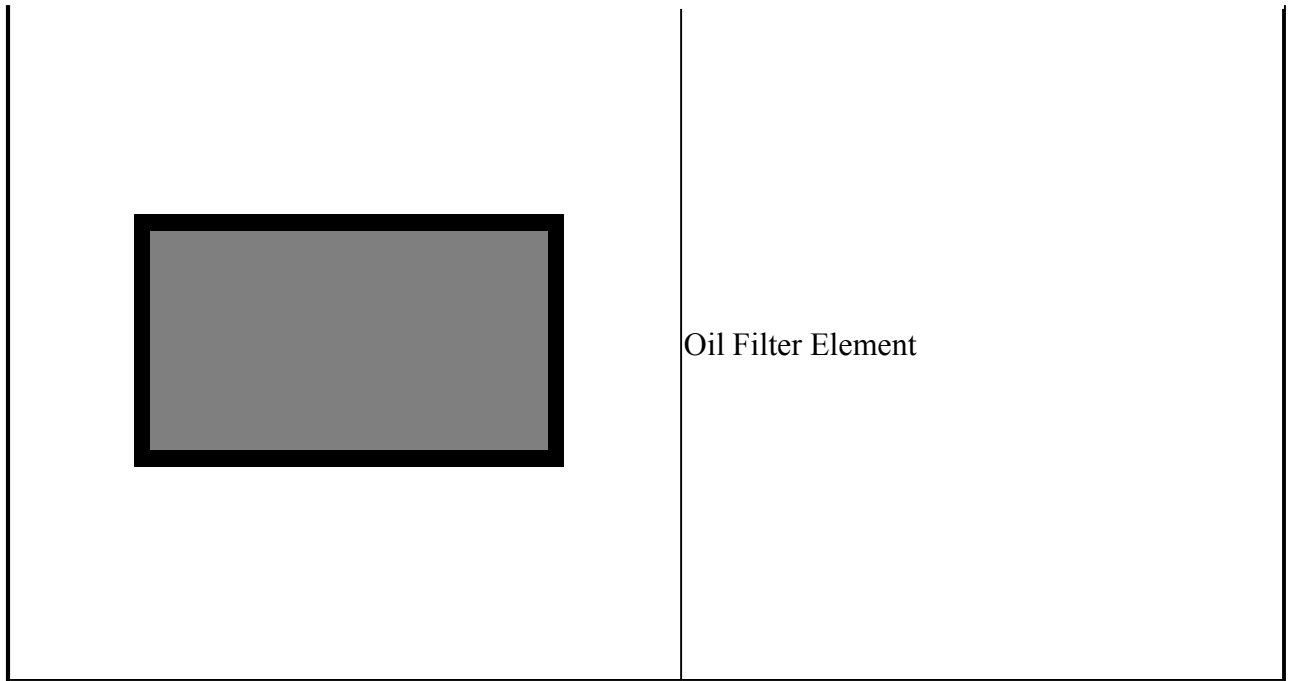


P

Fig. 3: Identifying Oil Filter Element And O-Ring
Courtesy of TOYOTA MOTOR SALES, U.S.A., INC.

TEXT IN ILLUSTRATION

	O-Ring



NOTE: Be sure to remove the O-ring (for the cap) by hand, without using any tools, to prevent damage to the groove for the O-ring on the cap.

5. INSTALL OIL FILTER ELEMENT

- a. Clean the inside of the oil filter cap, its threads and O-ring groove.

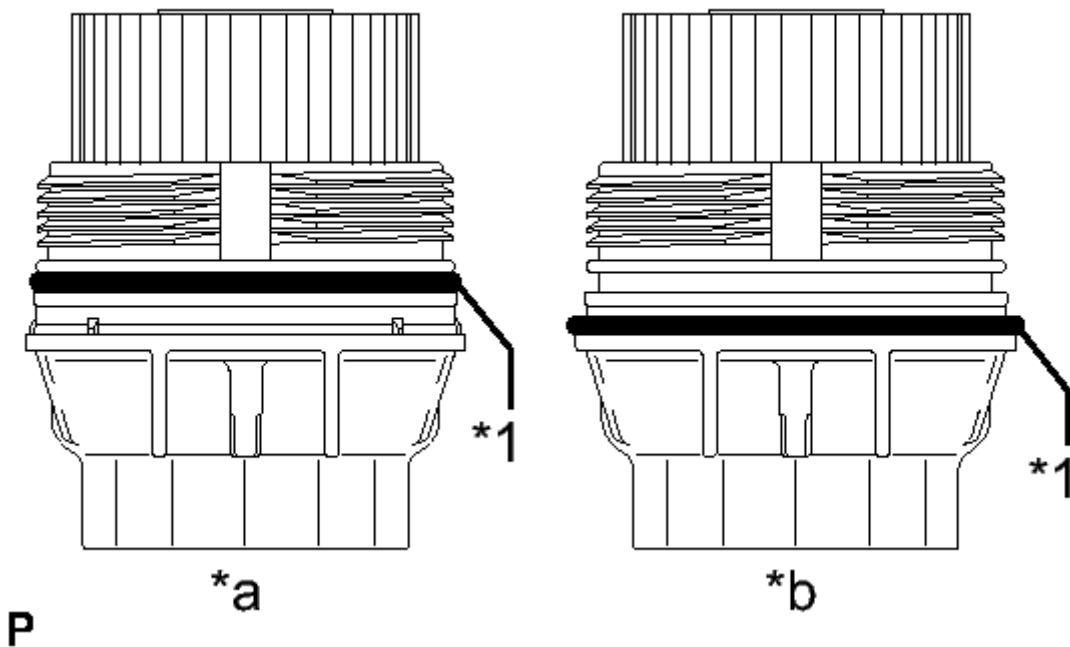


Fig. 4: Identifying O-Ring Correct And Incorrect Installation

Courtesy of TOYOTA MOTOR SALES, U.S.A., INC.

NOTE:

- Be sure to install the O-ring in the proper location, otherwise oil may leak.
- Do not twist the O-ring.

- b. Apply a small amount of engine oil to a new O-ring and install the O-ring to the oil filter cap.

TEXT IN ILLUSTRATION

*1	O-Ring
*a	CORRECT
*b	INCORRECT

- c. Set a new oil filter element in the oil filter cap.
d. Remove any dirt or foreign matter from the installation surface and inside of the engine.

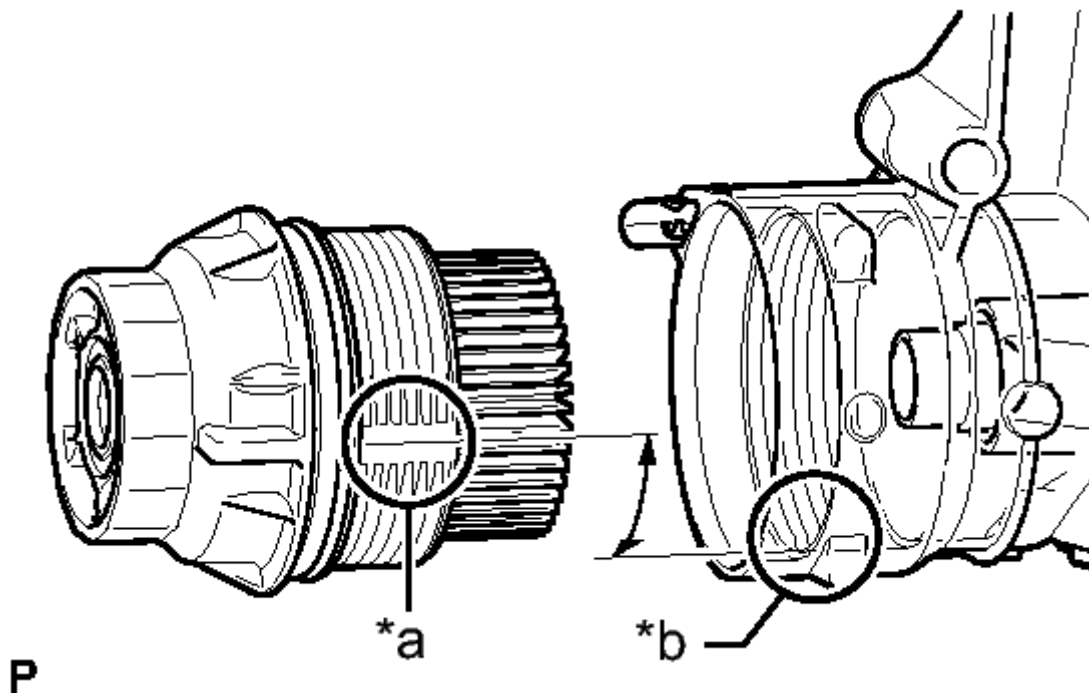


Fig. 5: Identifying Cutout Portion Of Cap Threads

Courtesy of TOYOTA MOTOR SALES, U.S.A., INC.

NOTE:

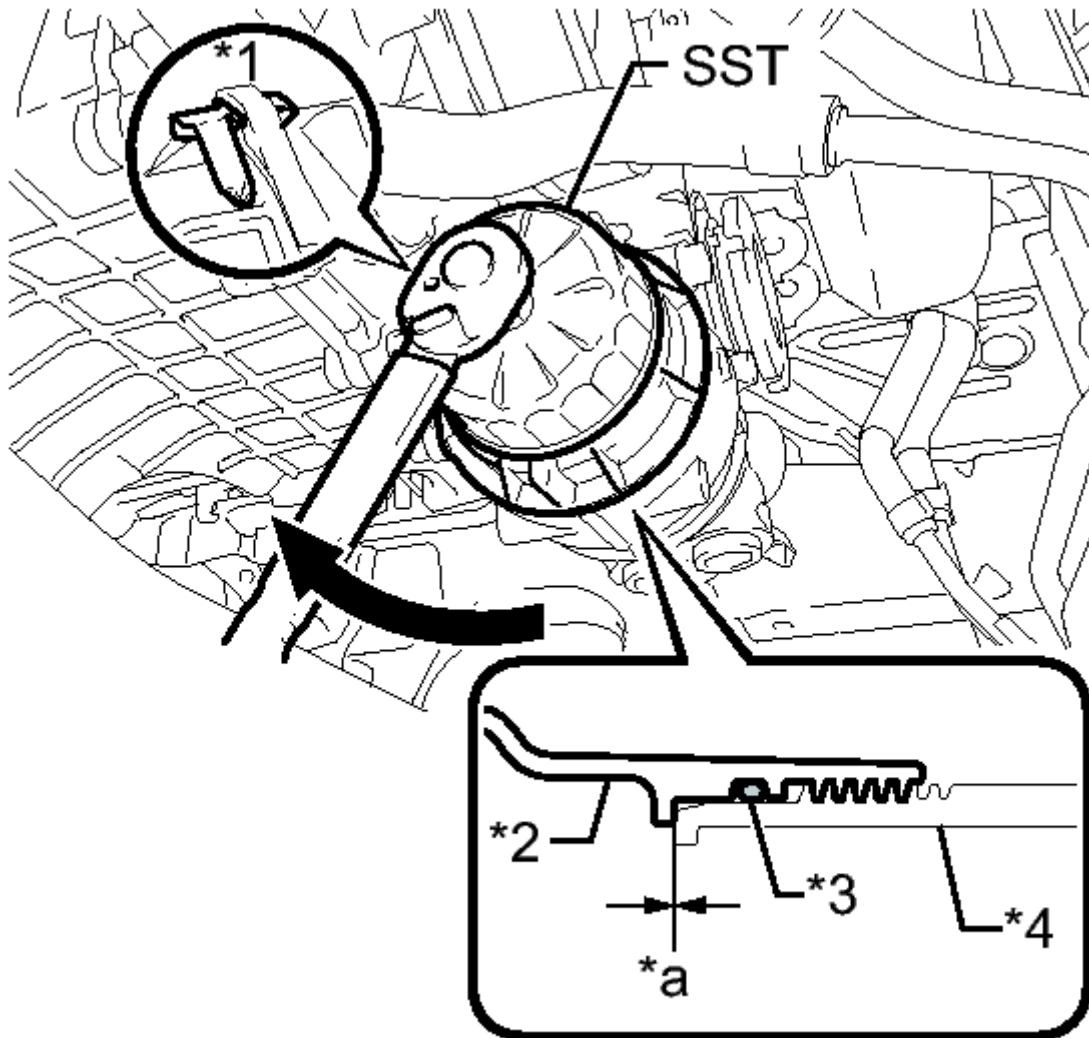
Make sure that the O-ring does not get caught between the parts.

- e. Reapply a small amount of engine oil to the O-ring of the oil filter cap. Align the oil filter cap with the oil filter bracket so that the cutout portion of the cap threads is in a position 90° from the groove in the bracket, and then temporarily install the cap.

TEXT IN ILLUSTRATION

*a	Cutout Portion
*b	Groove

- f. Using SST, tighten the oil filter cap.

**P****Fig. 6: Tightening Oil Filter Cap**

Courtesy of TOYOTA MOTOR SALES, U.S.A., INC.

- SST: 09228-06501

Torque: 25 N*m (255 kgf*cm, 18 ft.*lbf)

TEXT IN ILLUSTRATION

*1	Oil Filter Bracket Clip
----	-------------------------