



N0075158

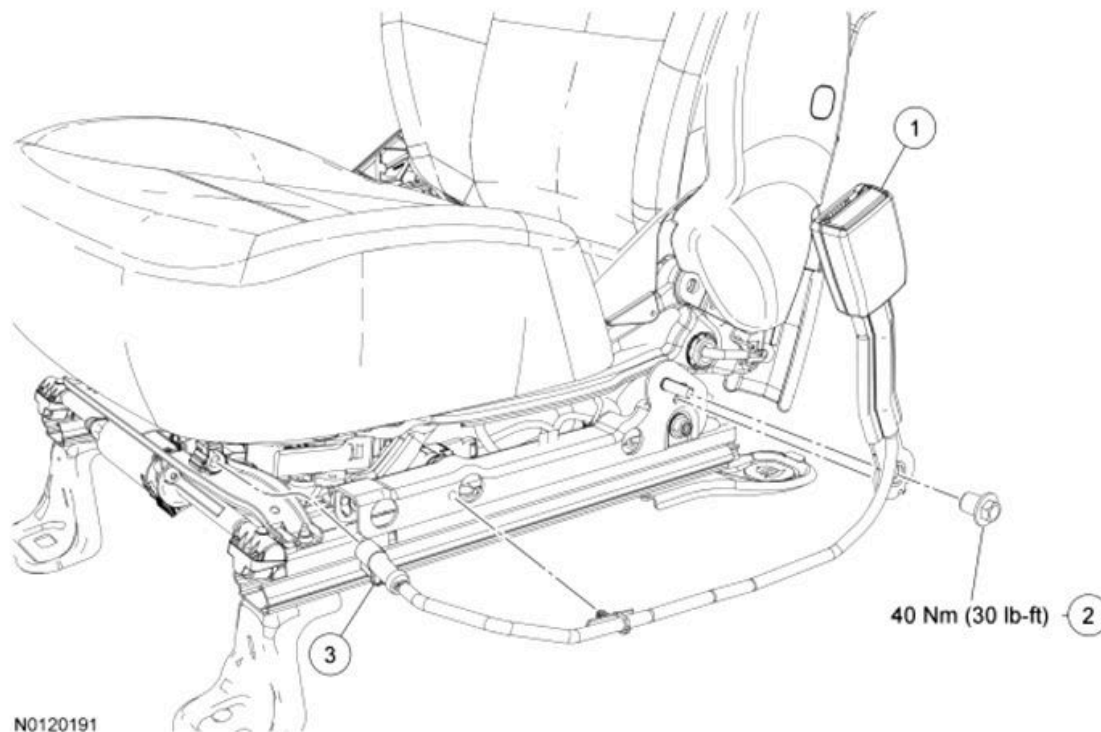
Fig. 4: Identifying Folded Portion Of Safety Belt Webbing
 Courtesy of FORD MOTOR CO.

REMOVAL AND INSTALLATION

SAFETY BELT BUCKLE - FRONT

Power and RH Manual Seat

NOTE: RH power seat track shown in illustration, others similar.



N0120191

Fig. 5: Identifying RH Power Manual Seat Components With Torque Specifications
 Courtesy of FORD MOTOR CO.

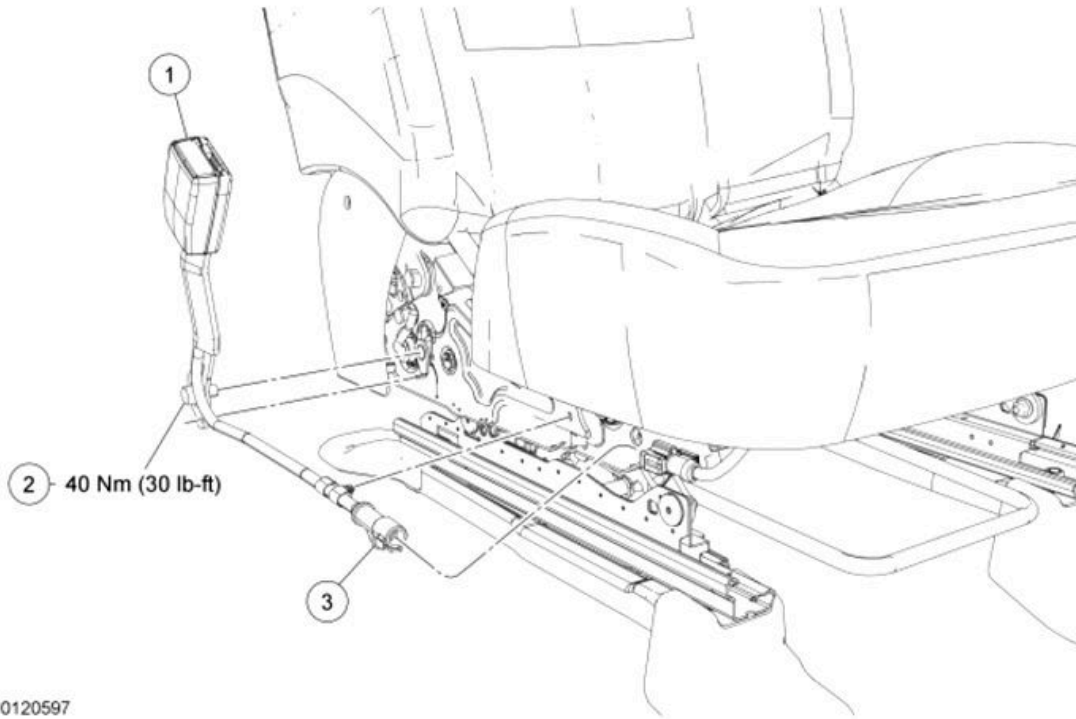
Item	Part Number	Description
------	-------------	-------------

2014 Lincoln MKX

2014 RESTRAINTS Safety Belt System - Edge, MKX

1	61202	RH/61203 LH Safety belt buckle
2	W715180	Safety belt buckle nut
3	-	Safety belt buckle electrical connector (part of

LH Manual Seat



N0120597

Fig. 6: Identifying LH Power Manual Seat Components With Torque Specifications
Courtesy of FORD MOTOR CO.

Item	Part Number	Description
1	61203	Safety belt buckle
2	-	Safety belt buckle bolt (part of 61203)
3	-	Safety belt buckle electrical connector (part of 61203)

1. Position the seat to access the safety belt buckle.
2. Disconnect the safety belt buckle switch electrical connector and separate any pin-type retainers.

NOTE: Note the position of the safety belt buckle anti-rotation locator tab for correct installation.

3.

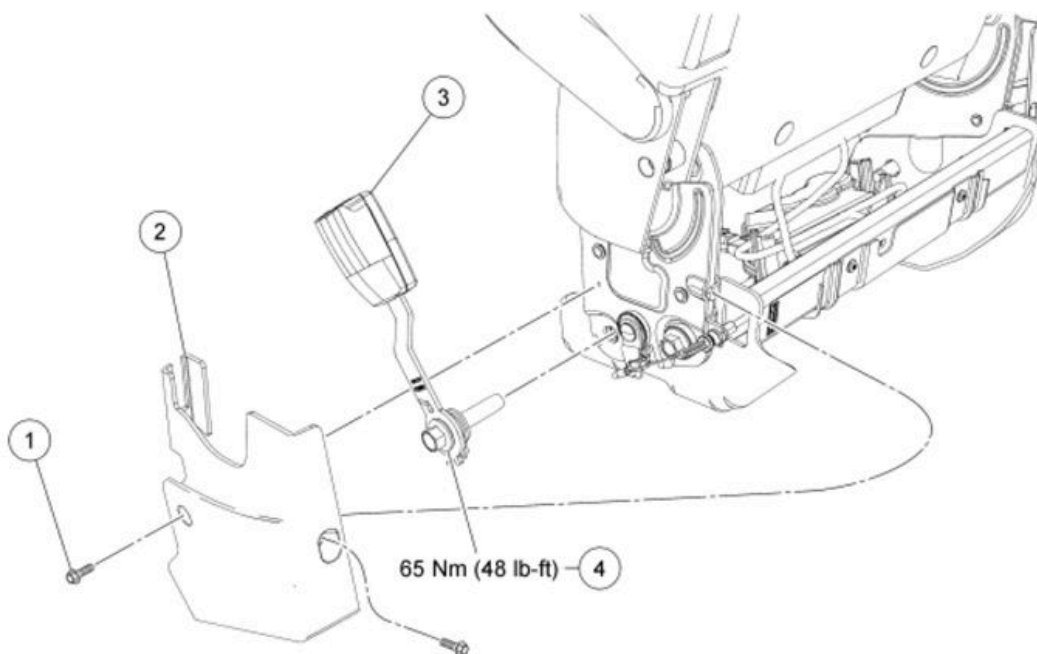
Remove the safety belt buckle.

- All seats with a power seat track and RH seat with a manual seat track, remove the safety belt buckle nut.

- To install, tighten to 40 Nm (30 lb-ft).
 - LH seat with a manual seat track, remove the safety belt buckle bolt.
 - To install, tighten to 40 Nm (30 lb-ft).
4. To install, reverse the removal procedures.
 5. Check the active restraint system for correct operation. For additional information, refer to **SAFETY BELT SYSTEM** .

SAFETY BELT BUCKLE - REAR

Safety Belt Buckle - Rear, 40 Percent Seat

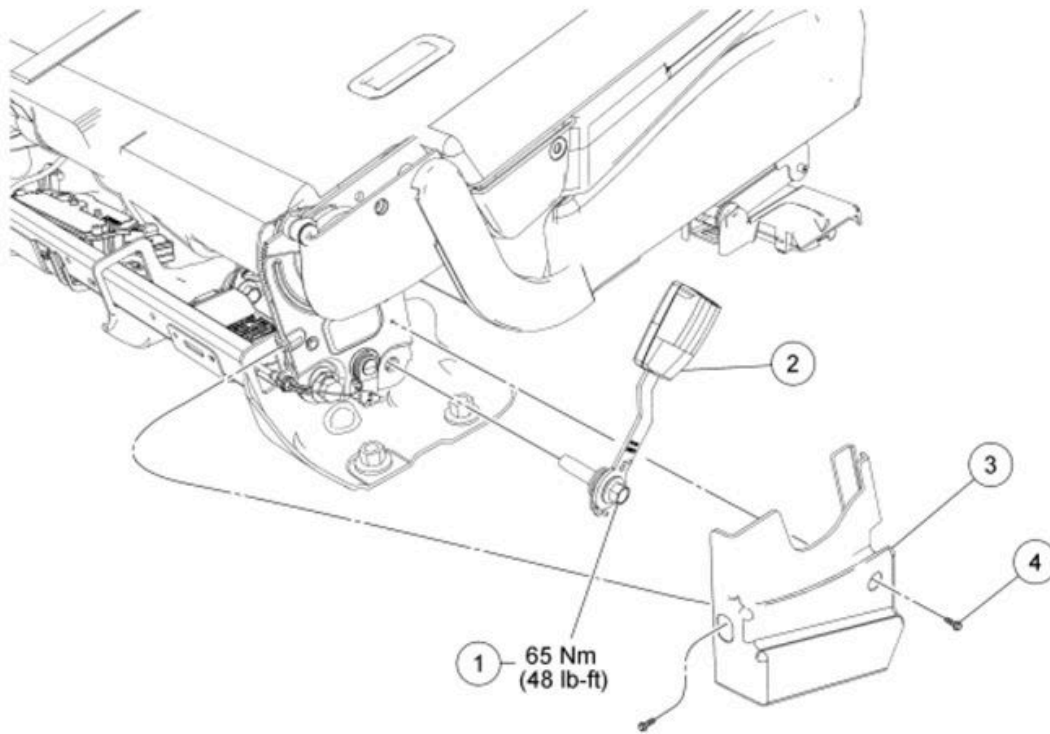


N0077310

Fig. 7: Identifying Rear Safety Belt Buckle 40 Percent Seat Components With Torque Specifications Courtesy of FORD MOTOR CO.

Item	Part Number	Description
1	W712241	Inboard lower side shield screw (2 required)
2	61349	Inboard lower side shield
3	60044	Safety belt buckle
4	-	Safety belt buckle bolt (part of 60044)

Safety Belt Buckle - Rear Center, 60 Percent Seat



N0081220

Fig. 8: Identifying Rear Center Safety Belt Buckle 60 Percent Seat Components With Torque Specifications

Courtesy of FORD MOTOR CO.

Item	Part Number	Description
1	-	Safety belt buckle bolt (part of 60044)
2	60044	Safety belt buckle
3	61349	Inboard lower side shield
4	W712241	Inboard lower side shield screw (2 required)

Removal and Installation

WARNING: All safety belt components must be inspected and corrected as part of any collision repair. Inspect all safety belt components as prescribed by **SAFETY BELT INSPECTION AND REPAIR AFTER A COLLISION** . Failure to follow this instruction may result in incorrect operation of the safety belt system and increase the risk of serious personal injury or death in a crash.

WARNING: Synchronize the seat recliners following the steps in the seat removal and installation procedure any time the seat is removed for service. The following actions may result in the loss of recliner synchronization that cannot be corrected and may cause the seat back to fail in a crash:

2014 Lincoln MKX

2014 RESTRAINTS Safety Belt System - Edge, MKX

- Dropping the seat
- Sitting on the seat when removed
- Applying any load to the seat when removed
- Removing or loosening any recliner fasteners except for the safety belt buckle bolt

Install a new seat back frame assembly if the seat recliners cannot be synchronized. Failure to follow these instructions may result in serious personal injury to the vehicle occupant(s) in a crash.

NOTE: The LH safety belt buckle on the rear 60 percent seat is serviced as part of the center safety belt retractor. To service the LH safety belt buckle, refer to **SAFETY BELT RETRACTOR - REAR, CENTER** .

1. Remove the 40 percent or 60 percent rear seat. For additional information, refer to **REMOVAL AND INSTALLATION** .

WARNING: Keep hands clear of all moving seat mechanisms when releasing the recliner lever. The recliners are spring loaded and release with high force. Failure to follow these instructions may result in serious personal injury.

2.

Release the recliner lever and fold the seat backrest.

3. Remove the 2 screws and slide off the inboard lower side shield.

NOTE: Note the position of the safety belt buckle anti-rotation locator tab for installation.

4.

Remove the bolt and safety belt buckle.

- To install, tighten to 65 Nm (48 lb-ft).

5. To install, reverse the removal procedures.

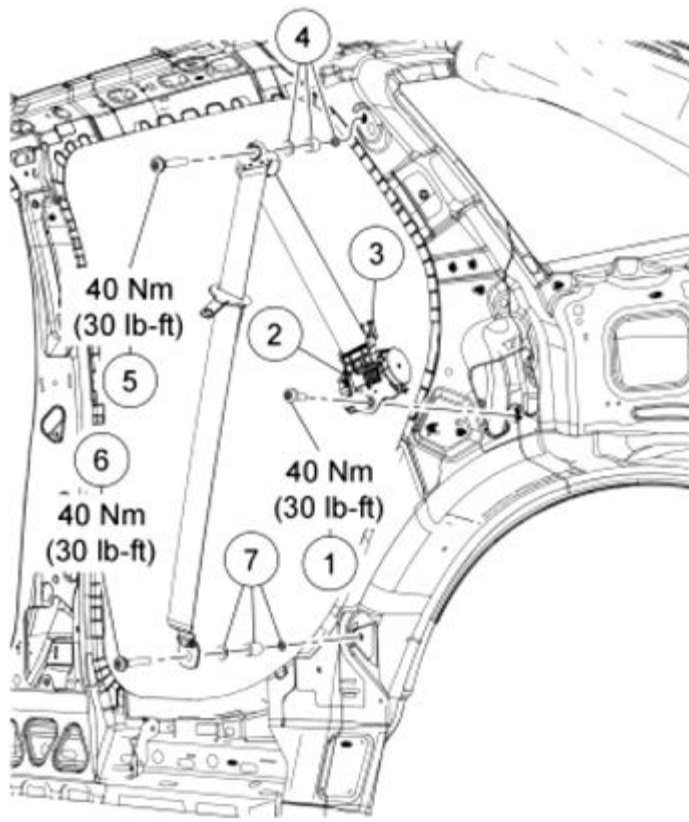
NOTE: Follow all the seat installation procedure steps to make sure of correct recliner synchronization.

6.

Install the seat. For additional information, refer to **REMOVAL AND INSTALLATION** .

7. Check the active restraint system for correct operation. For additional information, refer to the appropriate Functional Test procedure in **SAFETY BELT SYSTEM** .

SAFETY BELT RETRACTOR - REAR



N0120189

Fig. 9: Identifying Rear Safety Belt Retractor Components With Torque Specifications
 Courtesy of FORD MOTOR CO.

Item	Part Number	Description
1	-	Rear safety belt retractor bolt (part of 611B68 RH/611B69 LH)
2	611B68 RH/611B69 LH	Rear safety belt retractor
3	-	Rear safety belt retractor locator T-tab (part of 611B68 RH/611B69 LH)
4	-	Spacers and retainer (part of 611B68 RH/611B69 LH)
5	-	Rear safety belt retractor D-ring bolt (part of 611B68 RH/611B69 LH)
6	-	Rear safety belt retractor anchor bolt (part of 611B68 RH/611B69 LH)
7	-	Spacers and retainer (part of 611B68 RH/611B69 LH)

Removal and Installation

WARNING: All safety belt components must be inspected and corrected as part of any collision repair. Inspect all safety belt components as prescribed by **SAFETY BELT INSPECTION AND REPAIR AFTER A COLLISION** . Failure to follow this instruction may result in incorrect operation of the safety belt system and increase the risk of serious personal injury or death in a crash.