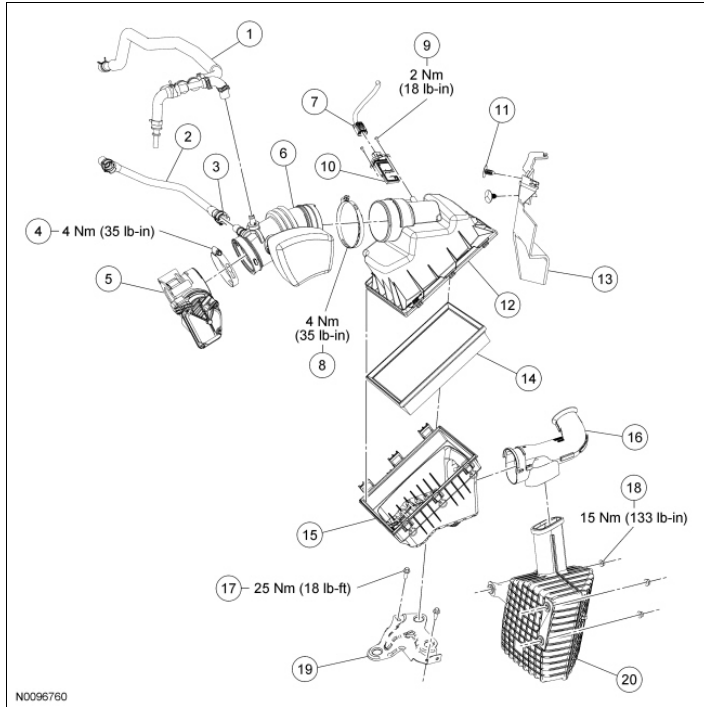


**Intake Air System Components - Exploded View**



Item	Part Number	Description
1	9C490	Vacuum hose
2	6853	Crankcase ventilation tube
3	-	Crankcase ventilation tube-to-Air Cleaner (ACL) outlet pipe quick connect coupling (part of 6853)
4	-	ACL outlet pipe-to-Throttle Body (TB) clamp (part of 9F991)
5	9F991	TB
6	9F805	ACL outlet pipe
7	14A464	Mass Air Flow (MAF) sensor electrical connector
8	-	ACL outlet pipe-to- ACL housing cover clamp (part of 9F805)
9	W711655	MAF sensor screw (2 required)
10	12B579	MAF sensor
11	-	Snow shield pin-type retainer (part of 16A554) (2 required)
12	-	ACL housing cover (part of 9C662)
13	16A554	Snow shield
14	9601	ACL element
15	9C662	ACL housing
16	-	ACL inlet pipe (part of 9C662)
17	W707375	ACL insulator support bracket bolt (2 required)

18	W520413	Intake air resonator nut (3 required)
19	9647	ACL insulator support bracket
20	9F763	Intake air resonator

1. For additional information, refer to the procedures in this section.
-

## Air Cleaner

### Removal and Installation

1. Disconnect the Mass Air Flow (MAF) sensor electrical connector.
2. Loosen the clamp and disconnect the Air Cleaner (ACL) outlet pipe from the ACL housing cover.
  - To install, tighten to 4 Nm (35 lb-in).
3. **NOTE:** No tools are needed to remove the ACL assembly. Removal should be carried out using hands only.

Separate the 3 ACL feet from the rubber grommets and the ACL inlet pipe and remove the ACL assembly.

4. **NOTE:** Make sure that the 3 ACL feet are seated into the rubber grommets under the ACL assembly.

**NOTE:** The ACL outlet pipe should be securely sealed to prevent unmetered air from entering the engine.

To install, reverse the removal procedure.

---

## Air Cleaner Outlet Pipe

### Removal and Installation

1. Disconnect the crankcase ventilation tube-to-Air Cleaner (ACL) outlet pipe quick connect coupling.  
For additional information, refer to [Section 310-00](#) .
2. Remove the vacuum tube to ACL outlet pipe.
3. Loosen the clamp and remove the ACL outlet pipe from the Throttle Body (TB).
  - To install, tighten to 4 Nm (35 lb-in).
1. Loosen the ACL outlet pipe-to- ACL housing cover clamp.
  - Remove the ACL outlet pipe.
  - To install, tighten to 4 Nm (35 lb-in).
5. **NOTE:** The ACL outlet pipe should be securely sealed to prevent unmetered air from entering the engine.

To install, reverse the removal procedure.

---

## Intake Air Resonator

### Removal and Installation

1. With the vehicle in NEUTRAL, position it on a hoist. For additional information, refer to [Section 100-02](#) .
2. Remove the LH fender splash shield. For additional information, refer to [Section 501-02](#) .
3. Remove the 3 nuts and the intake air resonator.
  - To install, tighten to 15 Nm (133 lb-in).
4. **NOTE:** Make sure that the ACL inlet pipe is securely seated to the intake air resonator.

To install, reverse the removal procedure.

---

**Torque Specifications**

---

<b>Description</b>	<b>Nm</b>	<b>lb-ft</b>	<b>lb-in</b>
Air Cleaner (ACL) insulator support bracket bolt	25	18	-
ACL outlet pipe-to- ACL housing cover clamp	4	-	35
ACL outlet pipe-to-Throttle Body (TB) clamp	4	-	35
Intake air resonator nuts	15	-	133
Mass Air Flow (MAF) sensor screw	2	-	18

---

### **Intake Air Distribution and Filtering**

The air intake system consists of the:

- Air Cleaner (ACL) outlet pipe.
- ACL element.
- Mass Air Flow (MAF) sensor.
- ACL housing assembly.
- intake air resonator.

The air intake system:

- cleans intake air with a replaceable, dry-type ACL element.
- measures airflow and air temperature with the MAF sensor.

The engine ACL contains an ACL element made of treated, pleated paper, which must be replaced periodically as scheduled. Engine performance and fuel economy are adversely affected when maximum restriction of the ACL element is reached.

---

### **Intake Air Distribution and Filtering**

Refer to the Powertrain Control/Emissions Diagnosis (PC/ED) manual.

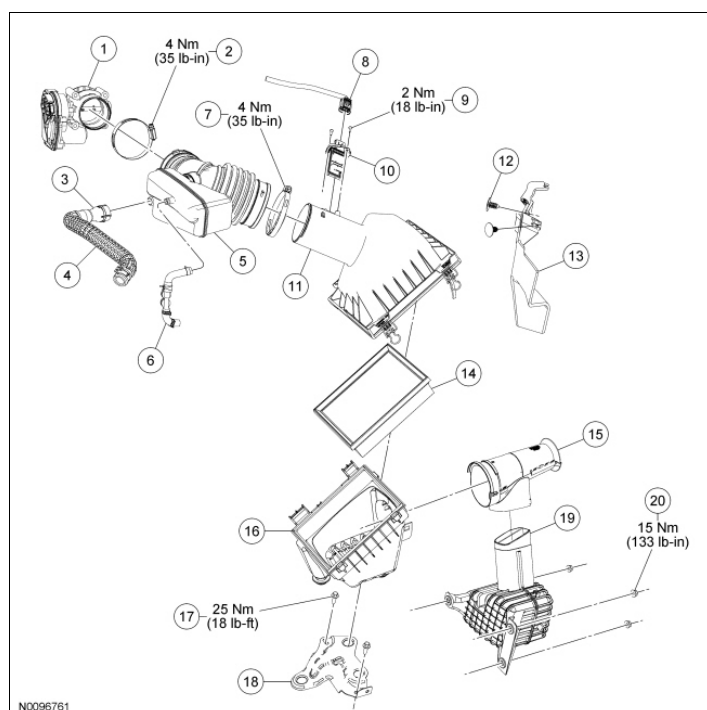
---



SECTION 303-12B: Intake Air Distribution and Filtering -  
3.0L (4V)  
REMOVAL AND INSTALLATION

2012 Fusion, MKZ, Fusion Hybrid, MKZ  
Hybrid Workshop Manual  
Procedure revision date: 06/03/2011

### Intake Air System Components - Exploded View



Item	Part Number	Description
1	9F991	Throttle Body (TB)
2	-	Air Cleaner (ACL) outlet pipe-to- TB clamp (part of 9F805)
3	-	Crankcase ventilation tube-to- outlet pipe quick connect coupling (part of 6758)
4	6758	Crankcase ventilation tube
5	9C805	ACL outlet pipe
6	9C490	Vacuum hose (All-Wheel Drive (AWD) only)
7	-	ACL outlet pipe-to- ACL housing cover clamp (part of 9C805)
8	14A464	Mass Air Flow (MAF) sensor electrical connector
9	W711655	MAF sensor screw (2 required)
10	12B579	MAF sensor
11	9C662	ACL housing cover
12	-	Snow shield pin-type retainer (part of 16A554) (2 required)
13	16A554	Snow shield
14	9601	ACL element
15	-	ACL inlet pipe (part of 9C662)
16	9C662	ACL housing
17	W707375	ACL insulator support bracket bolt (2 required)

18	9647	ACL insulator support bracket
19	9F763	Intake air resonator
20	W520413	Intake air resonator nut (3 required)

1. For additional information, refer to the procedures in this section.
-

## Air Cleaner

### Removal and Installation

1. Disconnect the Mass Air Flow (MAF) sensor electrical connector.
2. Loosen the clamp and disconnect the Air Cleaner (ACL) outlet pipe-to- ACL housing cover.
  - To install, tighten to 4 Nm (35 lb-in).
3. **NOTE:** No tools are needed to remove the ACL assembly. Removal should be carried out using hands only.

Separate the 3 ACL feet from the rubber grommets and the ACL inlet pipe and remove the n  
title="Air Cleaner" class="popup" onmouseover="this.className='popupunderline';"  
onmouseout="this.className='popup';">ACL assembly.

4. **NOTE:** Make sure that the 3 ACL feet are seated into the rubber grommets under the ACL assembly.

**NOTE:** The ACL outlet pipe should be securely sealed to prevent unmetered air from entering the engine.

To install, reverse the removal procedure.

---

## Air Cleaner Outlet Pipe

### Removal and Installation

#### All-Wheel Drive (AWD) vehicles

1. Disconnect the vacuum hose from the Air Cleaner (ACL) outlet pipe.

#### All vehicles

2. Disconnect the crankcase ventilation tube-to- ACL outlet pipe quick connect coupling. For additional information, refer to [Section 310-00](#).
3. Loosen the ACL outlet pipe-to-Throttle Body (TB) clamp.  
To install, tighten to 4 Nm (35 lb-in).
4. Loosen the ACL outlet pipe-to- ACL housing cover clamp.
  - Remove the ACL outlet pipe.
  - To install, tighten to 4 Nm (35 lb-in).
5. **NOTE:** The ACL outlet pipe should be securely sealed to prevent unmetered air from entering the engine.

To install, reverse the removal procedure.

---

## Intake Air Resonator

### Removal and Installation

1. With the vehicle in NEUTRAL, position it on a hoist. For additional information, refer to [Section 100-02](#) .
2. Remove the LH fender splash shield. For additional information, refer to [Section 501-02](#) .
3. Remove the 3 nuts and the air intake resonator.
  - To install, tighten to 15 Nm (133 lb-in)/li>
4. **NOTE:** Make sure that the Air Cleaner (ACL) inlet pipe is securely seated to the intake air resonator.

To install, reverse the removal procedure.

---

**Torque Specifications**

<b>Description</b>	<b>Nm</b>	<b>lb-in</b>
Air Cleaner (ACL) housing bolt	4	35
ACL inlet pipe bolts	4	35
ACL insulator support bracket bolt	20	177
ACL outlet pipe-to- ACL housing cover clamp	4	35
ACL outlet pipe-to-Throttle Body (TB) clamp	4	35
Intake air resonator nuts	15	133
Mass Air Flow (MAF) sensor screws	2	18

---

### **Intake Air Distribution and Filtering**

The air intake system consists of the:

- Air Cleaner (ACL) outlet pipe.
- ACL element.
- Mass Air Flow (MAF) sensor.
- ACL housing assembly.
- intake air resonator.

The air intake system:

- cleans intake air with a replaceable, dry-type ACL element.
- measures airflow and air temperature with the MAF sensor.

The engine ACL contains an ACL element made of treated, pleated paper, which must be replaced periodically as scheduled. Engine performance and fuel economy are adversely affected when maximum restriction of the ACL element is reached.

---

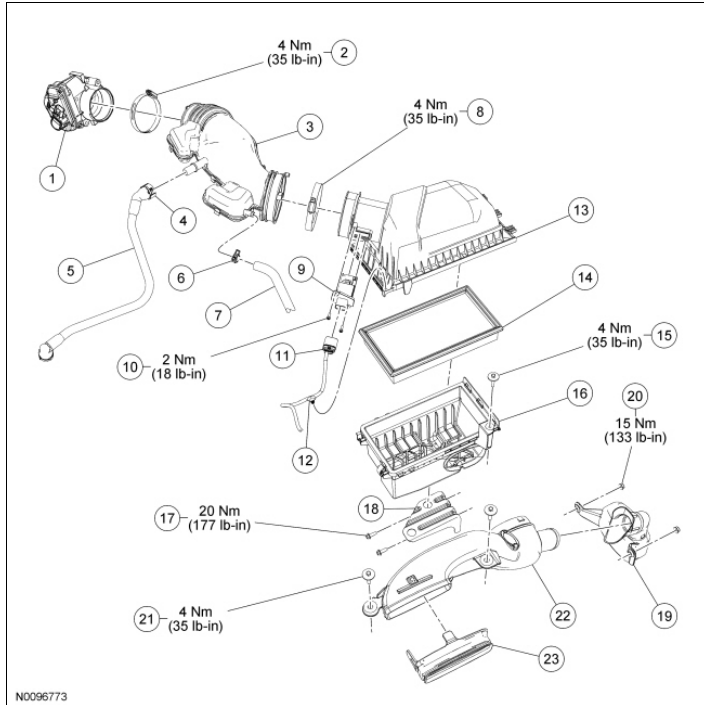
### **Intake Air Distribution and Filtering**

Refer to the Powertrain Control/Emissions Diagnosis (PC/ED) manual.

---



**Intake Air System Components - Exploded View**



Item	Part Number	Description
1	9F991	Throttle Body (TB)
2	-	Air Cleaner (ACL) outlet pipe-to- TB clamp (part of 9F805)
3	9F805	ACL outlet pipe
4	-	Crankcase ventilation tube-to- ACL outlet pipe quick connect coupling (part of 6758)
5	6758	Crankcase ventilation tube
6	-	Vacuum hose clamp (part of 9C482)
7	9C482	Vacuum hose
8	-	ACL outlet pipe-to- ACL housing cover clamp (part of 9F805)
9	12B579	Mass Air Flow (MAF) sensor
10	W711655	MAF sensor screw (2 required)
11	14A464	MAF electrical connector
12	-	Wire harness pin-type retainer (part of 14A464)
13	-	ACL housing cover (part of 9C662)
14	9601	ACL element
15	W710317	ACL housing bolt
16	9C662	ACL housing
17	W707375	ACL insulator support bracket bolt (2 required)

18	9647	ACL insulator support bracket
19	9F763	Intake air resonator
20	W520413	Intake air resonator nut (2 required)
21	W710317	ACL inlet pipe bolt (2 required)
22	9C675	ACL inlet pipe
23	9E931	ACL inlet pipe seal

1. For additional information, refer to the procedures in this section.
-

## Air Cleaner

### Removal and Installation

1. Disconnect the Mass Air Flow (MAF) sensor electrical connector and release the wiring harness pin-type retainer from the Air Cleaner (ACL) housing.
2. Loosen the clamp and disconnect the ACL outlet pipe from the ACL housing cover.
  - To install, tighten to 4 Nm (35 lb-in).
3. Remove the ACL housing bolt.
  - To install, tighten to 4 Nm (35 lb-in).
4. Remove the 2 ACL inlet pipe bolts.
  - To install, tighten to 4 Nm (35 lb-in).
5. **NOTE:** No tools are needed to remove the ACL assembly. Removal should be carried out using hands only.

Separate the 2 ACL feet from the rubber grommets and remove the ACL and the ACL inlet pipe as an assembly.

6. **NOTE:** Make sure that the 2 ACL feet are seated into the rubber grommets under the ACL assembly.

**NOTE:** The ACL outlet pipe should be securely sealed to prevent unmetered air from entering the engine.

To install, reverse the removal procedure.

---

## Air Cleaner Outlet Pipe

### Removal and Installation

1. Disconnect the crankcase ventilation tube-to-Air Cleaner (ACL) outlet pipe quick connect coupling.  
For additional information, refer to [Section 310-00](#) .
2. Release the clamp and disconnect the vacuum hose from the ACL outlet pipe.
3. Loosen the ACL outlet pipe-to- ACL housing cover clamp.
  - To install, tighten to 4 Nm (35 lb-in).
4. Loosen the ACL outlet pipe-to-Throttle Body (TB) clamp.
  - Remove the ACL outlet pipe.
  - To install, tighten to 4 Nm (35 lb-in).
5. **NOTE:** The ACL outlet pipe should be securely sealed to prevent unmetered air from entering the engine.

To install, reverse the removal procedure.

---

## Intake Air Resonator

### Removal and Installation

1. With the vehicle in NEUTRAL, position it on a hoist. For additional information, refer to [Section 100-02](#) .
2. Remove the LH fender splash shield. For additional information, refer to [Section 501-02](#) .
3. Remove the 2 nuts and the air intake resonator.
  - To install, tighten to 15 Nm (133 lb-in).
4. **NOTE:** Make sure that the Air Cleaner (ACL) inlet pipe is securely seated to the intake air resonator.

To install, reverse the removal procedure.

---

**Torque Specifications**

Description	Nm	lb-in
Air Cleaner (ACL) assembly nut	15	133
ACL outlet pipe-to- ACL assembly clamp	4	35
ACL outlet pipe-to-intake air resonator clamp	4	ACL outlet pipe-to-Throttle Body (TB) clamp
Intake air resonator bolt	4	35
Mass Air Flow (MAF) sensor screw	2	18

### **Intake Air Distribution and Filtering**

The air intake system consists of the:

- Air Cleaner (ACL) outlet pipe.
- ACL assembly.
- Mass Air Flow (MAF) sensor.
- intake air resonator assembly.

The air intake system:

- cleans intake air with a long life ACL assembly.
- measures airflow and air temperature with the MAF sensor.

The vehicle utilizes a long life ACL assembly designed to last the life of the vehicle. The ACL is serviced as a complete ACL assembly.

---

### **Intake Air Distribution and Filtering**

Refer to the Powertrain Control/Emissions Diagnosis (PC/ED) manual.

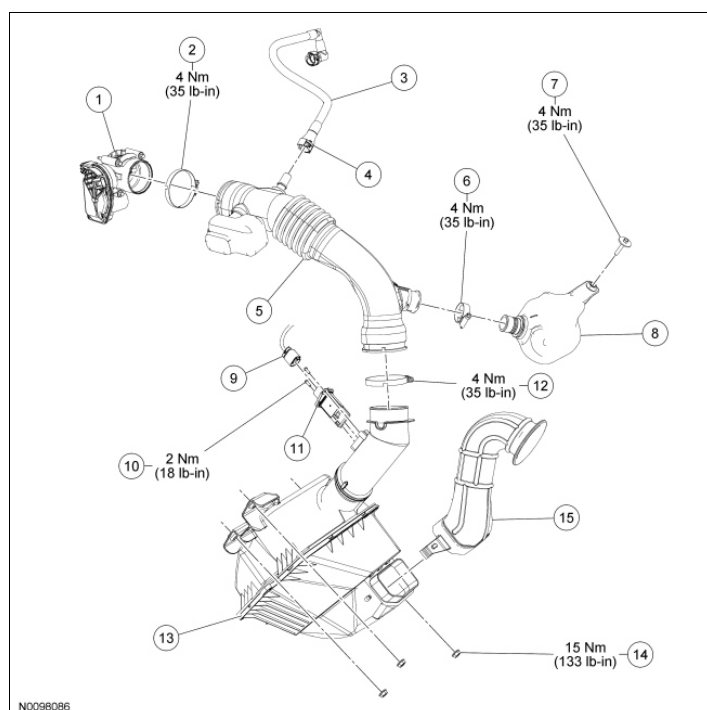
---



SECTION 303-12D: Intake Air Distribution and Filtering  
- Hybrid  
REMOVAL AND INSTALLATION

2012 Fusion, MKZ, Fusion Hybrid, MKZ  
Hybrid Workshop Manual  
Procedure revision date: 06/03/2011

### Intake Air System Components - Exploded View



Item	Part Number	Description
1	9F991	Throttle Body (TB)
2	-	Air Cleaner (ACL) outlet pipe-to- TB clamp (part of 9F805)
3	6853	Crankcase ventilation tube
4	-	Crankcase ventilation tube-to- ACL outlet pipe quick connect coupling (part of 6853)
5	9F805	ACL outlet pipe
6	-	ACL outlet pipe-to-intake air resonator clamp (part of 9F805)
7	W710317	Intake air resonator bolt
8	9F763	Intake air resonator
9	14A464	Mass Air Flow (MAF) sensor electrical connector
10	W711655	MAF sensor screw (2 required)
11	12B579	MAF sensor
12	-	ACL outlet pipe-to- ACL assembly clamp (part of 9F805)
13	9600	ACL assembly
14	W520413	ACL assembly nut (3 required)
15	-	ACL intake pipe (part of 9600)

1. For additional information, refer to the procedures in this section.



## Air Cleaner

### Removal and Installation

1. With the vehicle in NEUTRAL, position it on a hoist. For additional information, refer to [Section 100-02](#) .
  2. Remove the LH fender splash shield. For additional information, refer to [Section 501-02](#) .
  3. Disconnect the Mass Air Flow (MAF) sensor electrical connector.
  4. Loosen the clamp and disconnect the Air Cleaner (ACL) outlet pipe from the ACL assembly.
    - To install, tighten to 4 Nm (35 lb-in).
  5. Remove the 3 nuts, release the ACL intake pipe and remove the ACL assembly.
    - To install, tighten to 15 Nm (133 lb-in).
  6. To install, reverse the removal procedure.
-