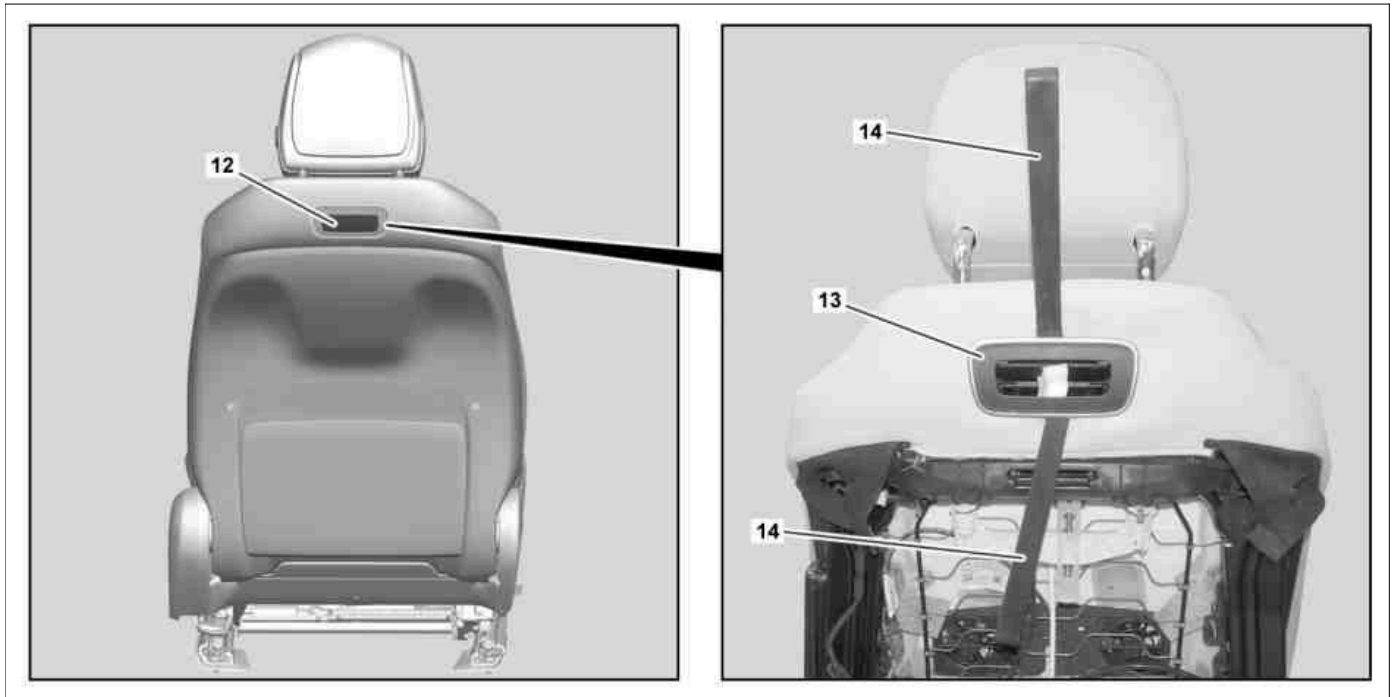


Model 257
Model 290
except code 555 (AMG-Performance Seat)

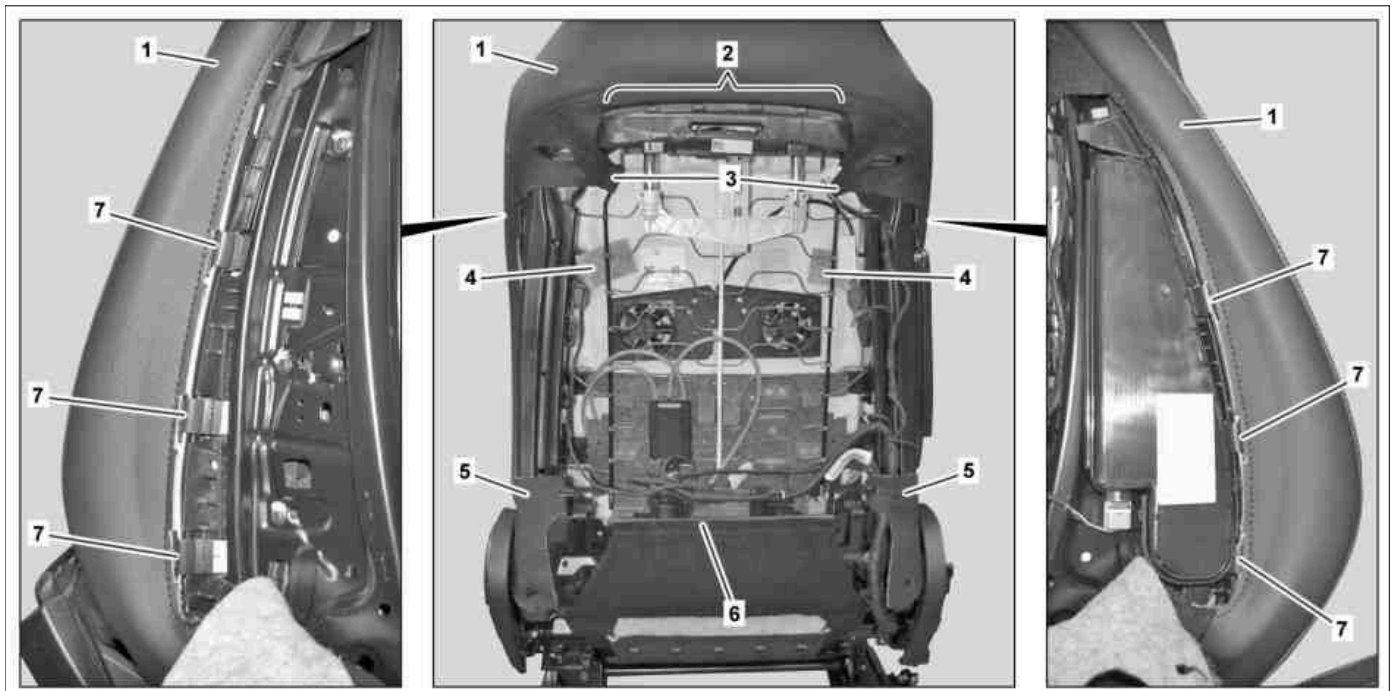


P91.10-4055-09

Shown on model 257 with code 866 (Pre-installation for Rear Seat Entertainment System)

12 Flap
13 Cover

14 Long wedge



P91.18-2374-09

Shown on model 257 except code 432 (Left and right dynamic multicontour seat)

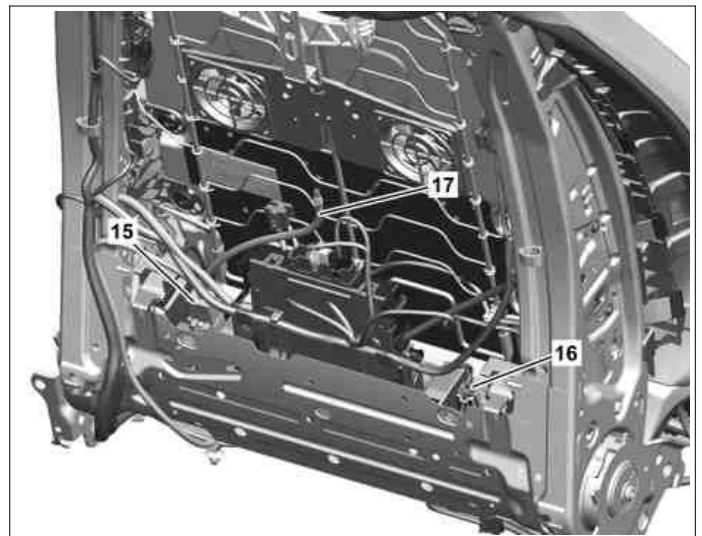
1 Cover

4 Tab

6 Terminal strip

Shown on model 257 with code 432 (Left and right dynamic multicontour seat) and with code 401 (Seat climate control for driver and front passenger)

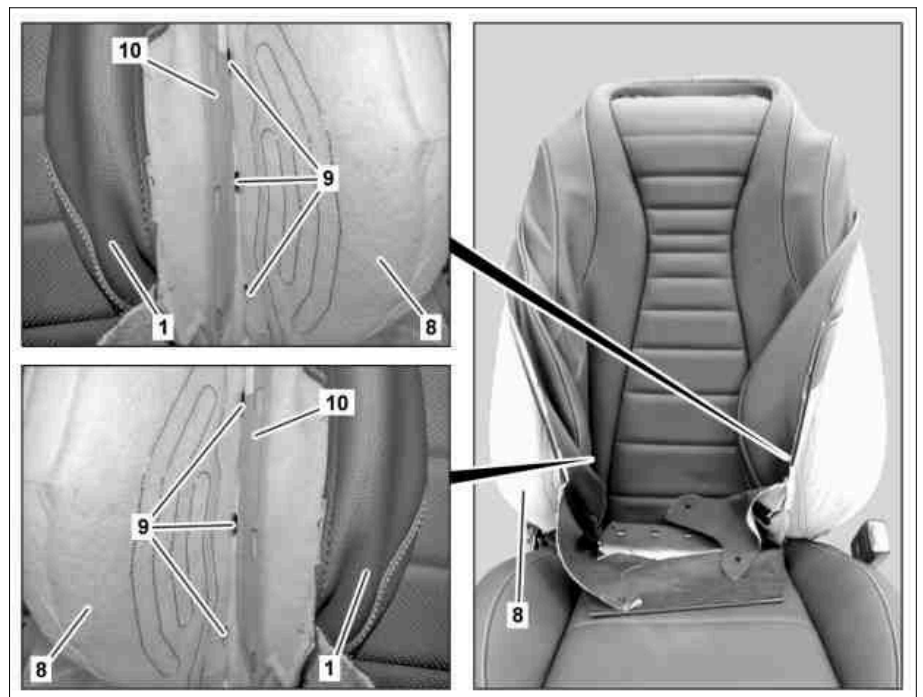
- 15 Electrical connector
- 16 Electrical connector
- 17 Pneumatic line



P91.10-4082-11

Shown on model 257

- 1 Cover
- 8 Backrest padding
- 9 Catch hook
- 10 Staple wire



P91.18-2375-06

	Remove		
1	Remove seat backrest trim.		AR91.10-P-1912FR
2	Remove head restraint guides.		AR91.16-P-0051FR
3	Unlock flap (12) with a magnet, open and fix it in such a way that it remains open.	Model 257 with code 866 (Pre-installation for Rear Seat Entertainment System) Model 290 with code 866 (Pre-installation for Rear Seat Entertainment System) except code 555 (AMG-Performance Seat)	
4	Position long wedges (14) as shown, release the latch at right and left by applying a suitable screwdriver to the opening and remove the cover (13).	Model 257 with code 866 (Pre-installation for Rear Seat Entertainment System) Model 290 with code 866 (Pre-installation for Rear Seat Entertainment System) except code 555 (AMG-Performance Seat) ⚠ Position long wedges (14) carefully. Otherwise, the cover (1) may be damaged.	*115589035900
5	Unhook terminal strips (3).	☑ Long wedge ☑ Extraction hook	*140589023300