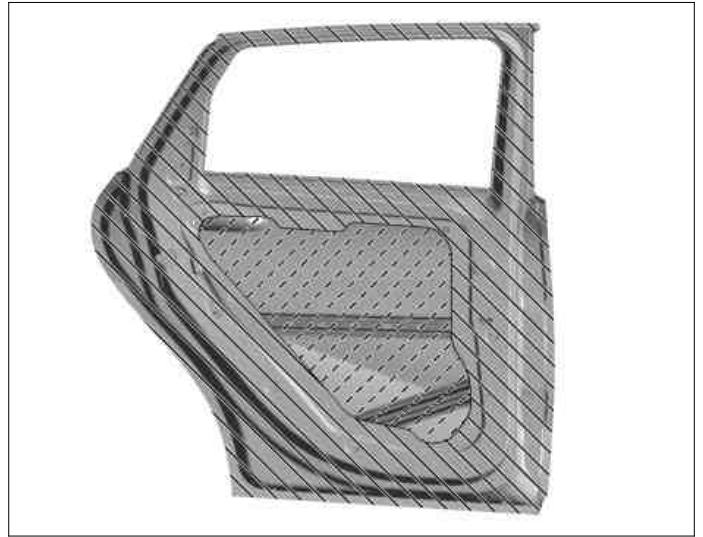
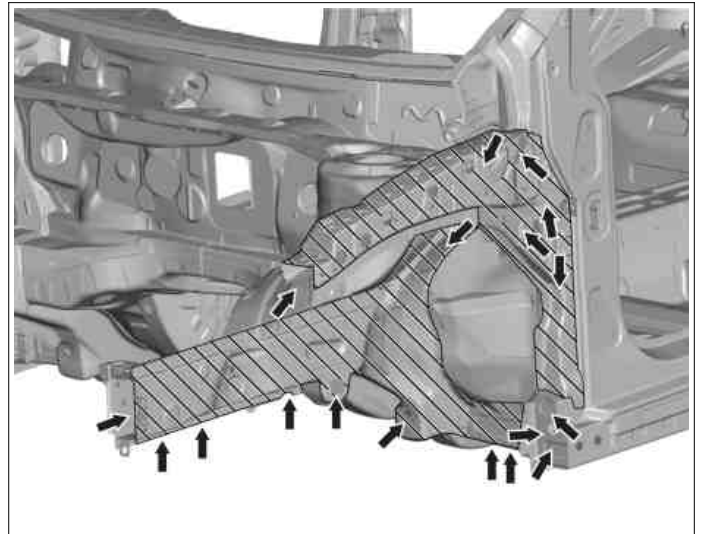


Rear door, shown on MODEL 246

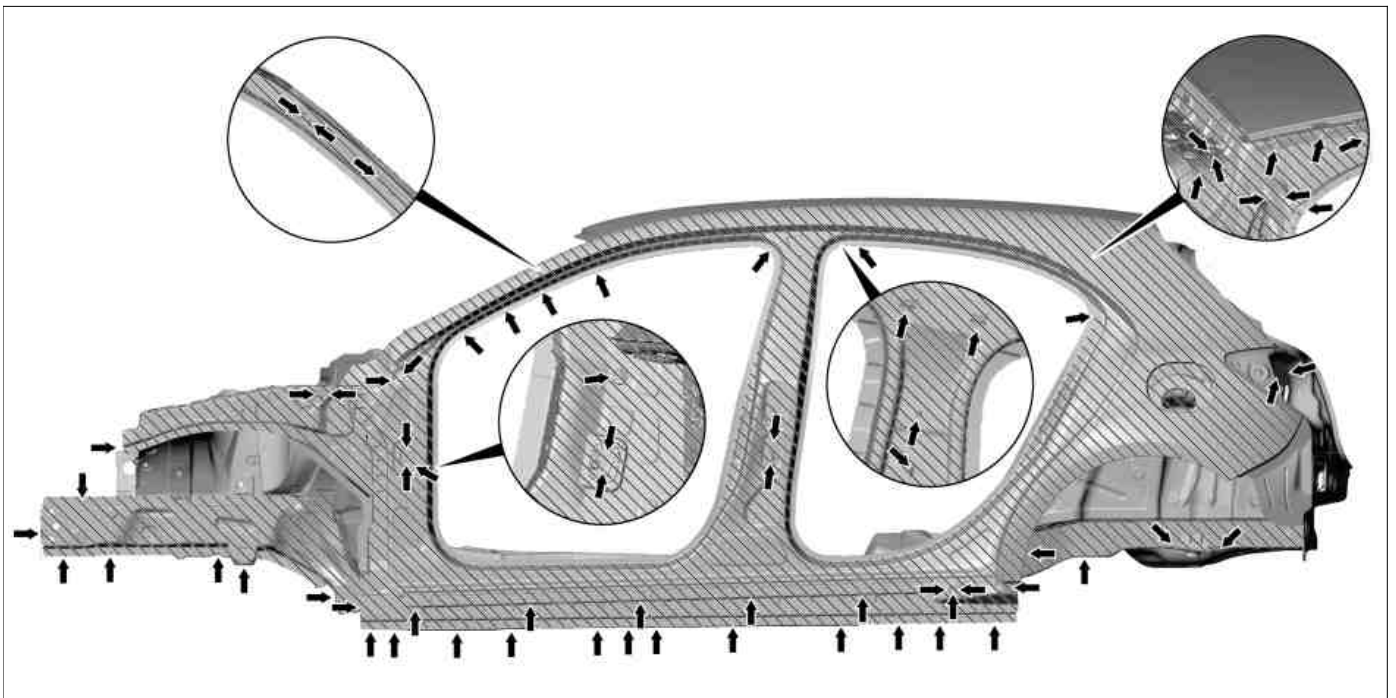


P97.20-2603-11

Front longitudinal member, shown on model 246

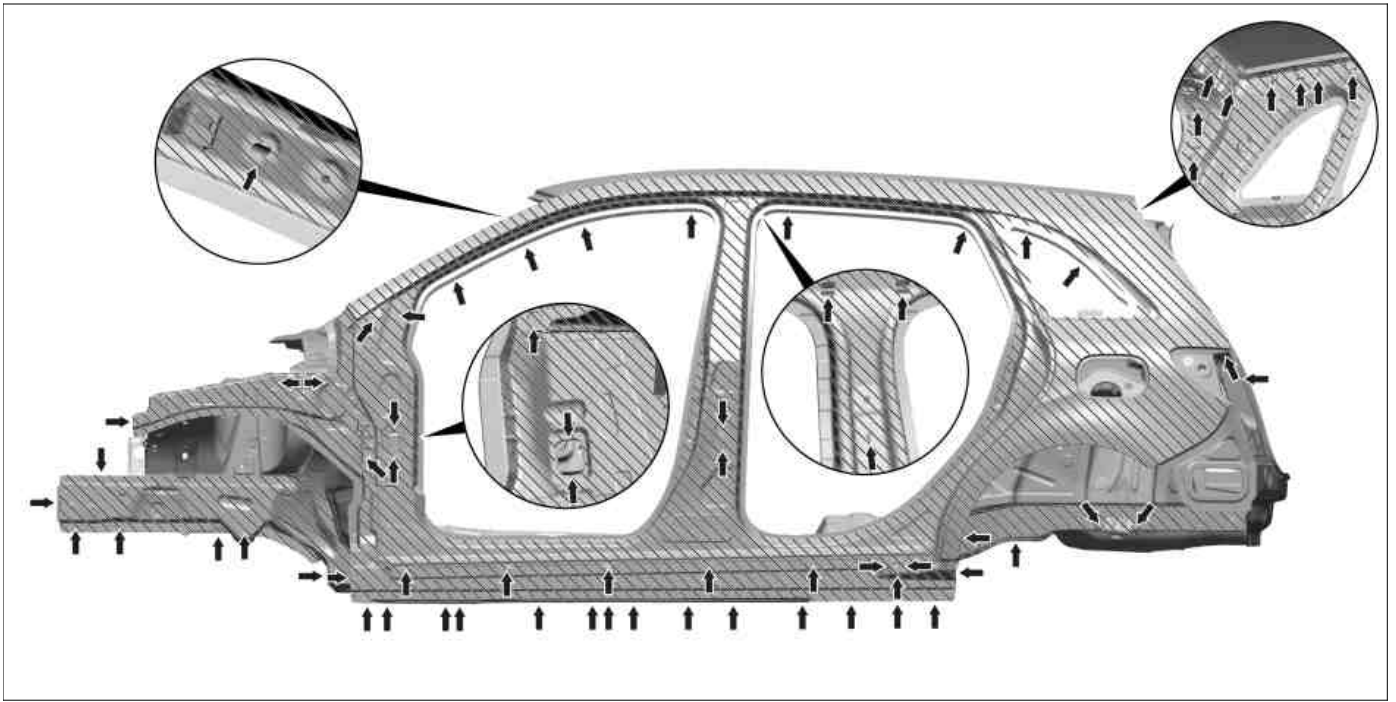


P97.20-2605-11



P97.20-2609-09

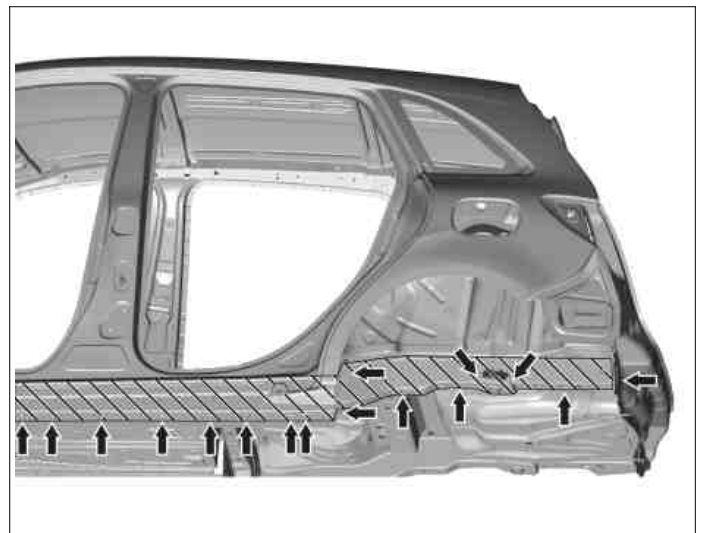
Upper front longitudinal member, A-pillar, B-pillar, C-pillar, side wall paneling and bottom side longitudinal member, MODEL 176



P97.20-2604-09

Upper front longitudinal member, A-pillar, B-pillar, C-pillar, side wall paneling and bottom side longitudinal member, shown on MODEL 246

Rear longitudinal member, shown on model 246



P97.20-2606-11