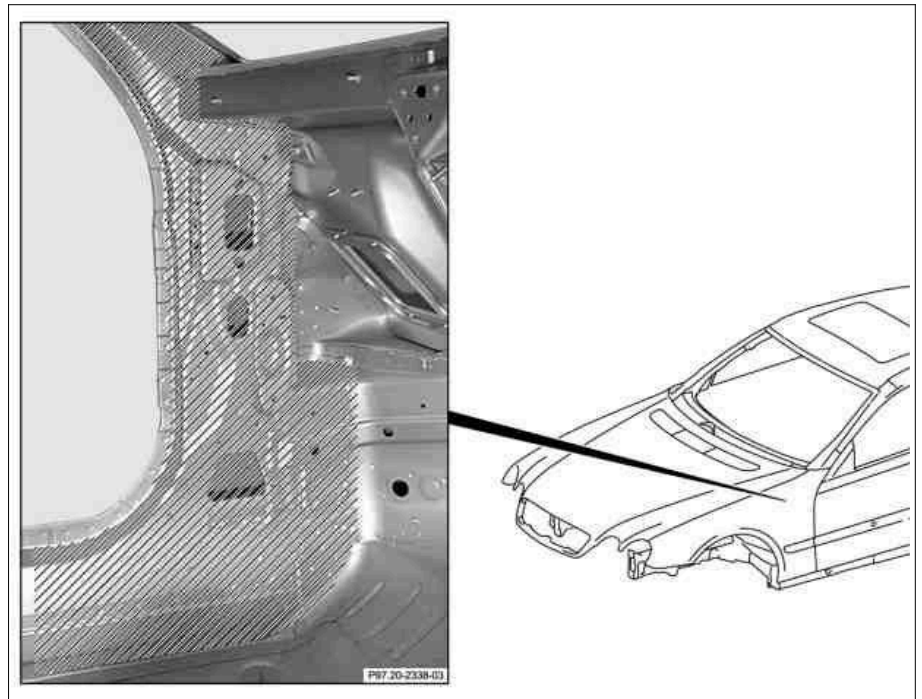
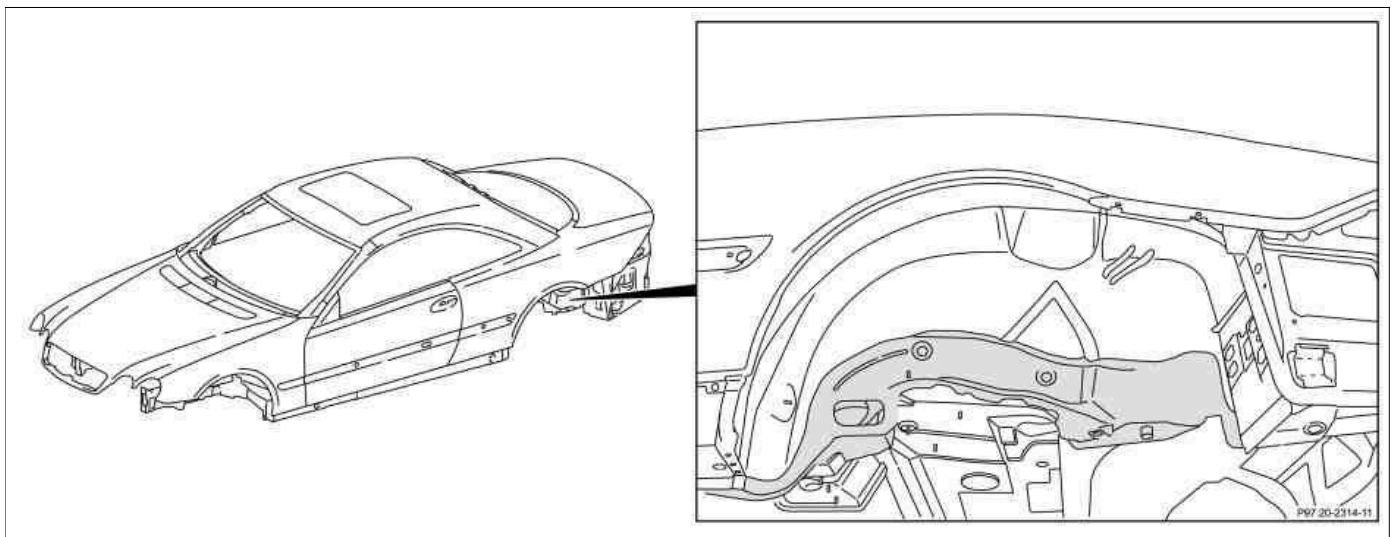


**A-pillar area**

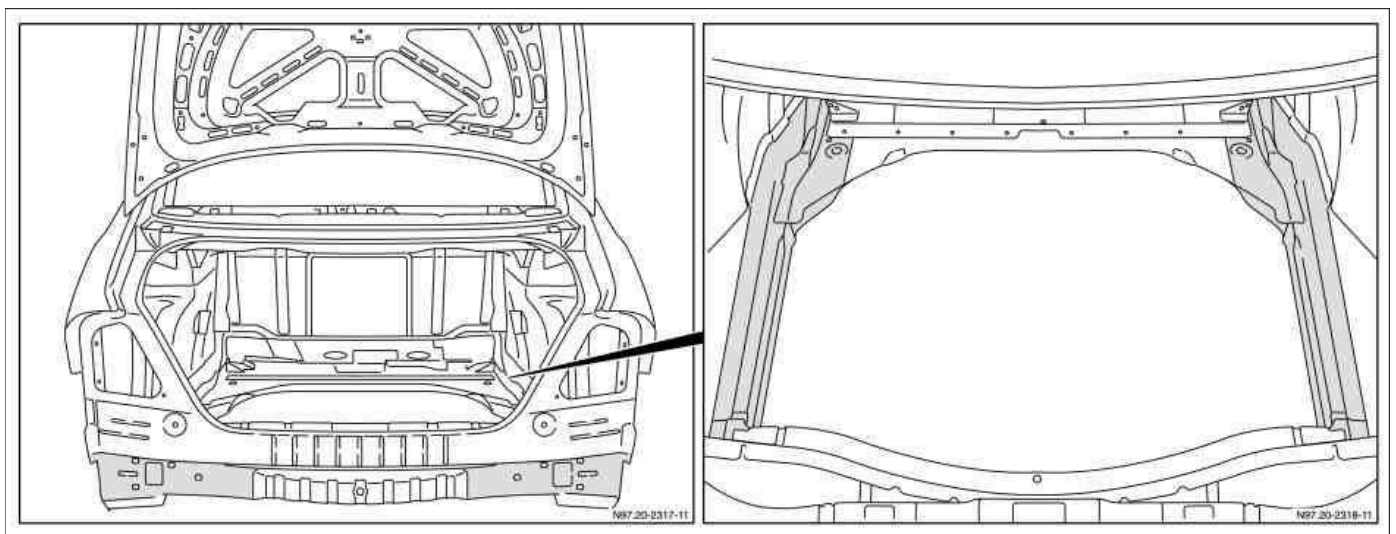


P97.20-2337-06



P97.20-2313-08

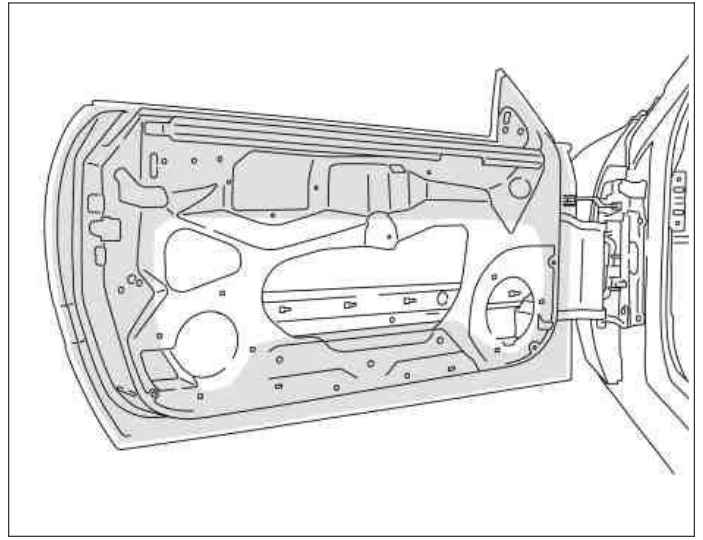
**Wheel well and rear longitudinal member area**



P97.20-2316-08

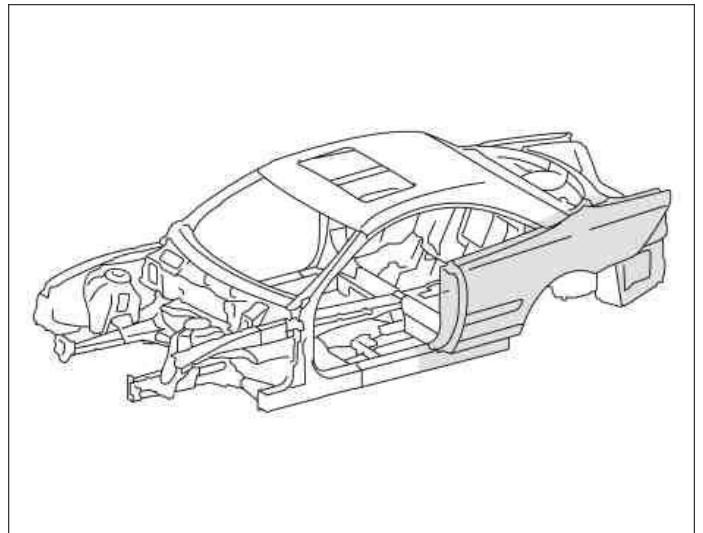
**Longitudinal member, rear-end assembly and rear crossmember area**

**Front door area**



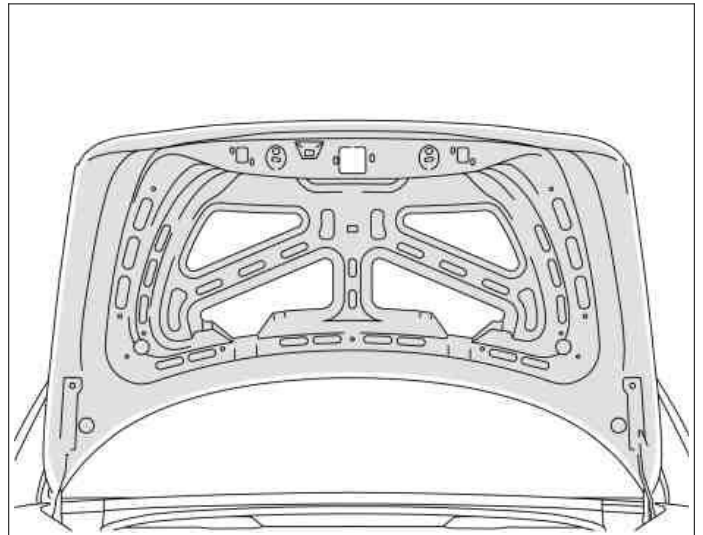
P97.20-2272-11

**Rear fender area**



P97.20-2347-11

**Trunk lid area**



P97.20-2271-11