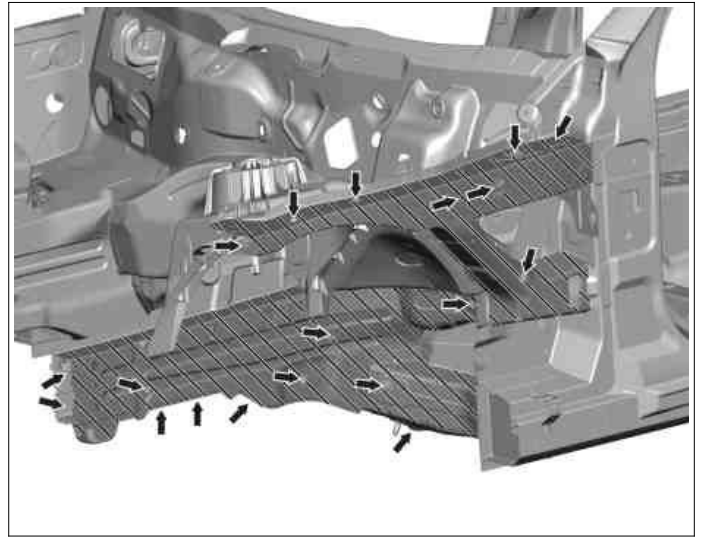
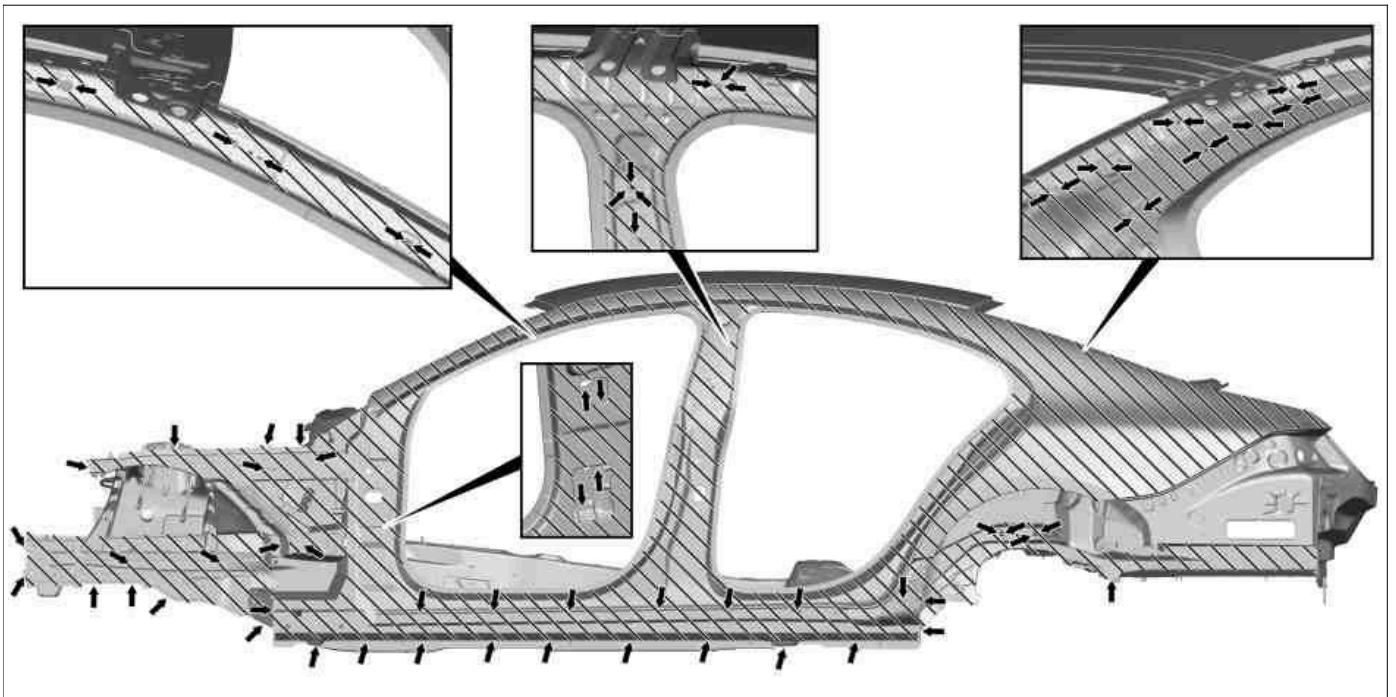


Front longitudinal member



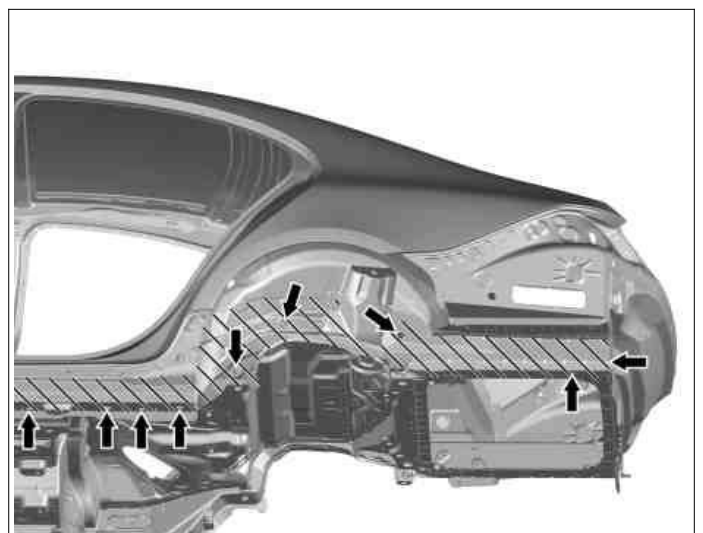
P97.20-2710-11



P97.20-2753-09

Upper front longitudinal member, A-pillar, B-pillar, C-pillar, side wall paneling and bottom side longitudinal member

Rear longitudinal member

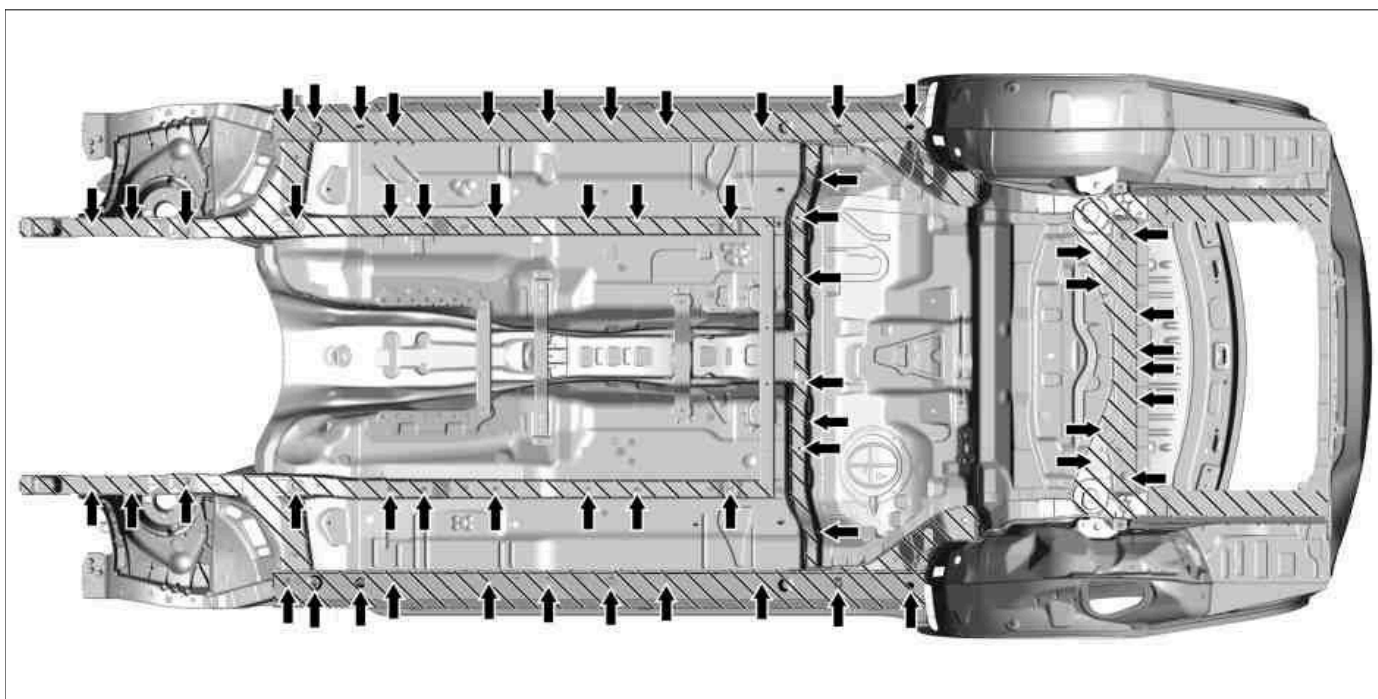


P97.20-2754-11

Rear area



P97.20-2755-11



P97.20-2714-09

Underbody

Picture no., etc.	Work notes		
⚠ Danger	Risk of explosion and poisoning caused by solvent vapors and gasses. Risk of injury to skin and eyes when working with anticorrosion agents	Never spray corrosion protection on flames or hot, glowing objects and keep them well away from all potential sources of ignition. Use them only in well-ventilated rooms; wear respiratory protection.	AS97.00-Z-0001-01A
Topical note	Notes on cavity preservation		AH97.20-P-0001-01B
A	Cavity preservation in folding areas and hollow cavities	<p>i Install from inside through openings (arrows) with hook probe. Apply cavity preservation with spraying hose and nozzle (spraying angle 360°) as far as possible into cavities.</p> <p>Cavity preservation (free of solvents), 1 liter</p>	*BR00.45-Z-1003-05A
B	Cavity preservation for inner surfaces and gaps	<p>i Uniformly moisten cavity preservation.</p> <p>Cavity preservation (free of solvents), 1 liter</p>	*BR00.45-Z-1003-05A

Repair materials