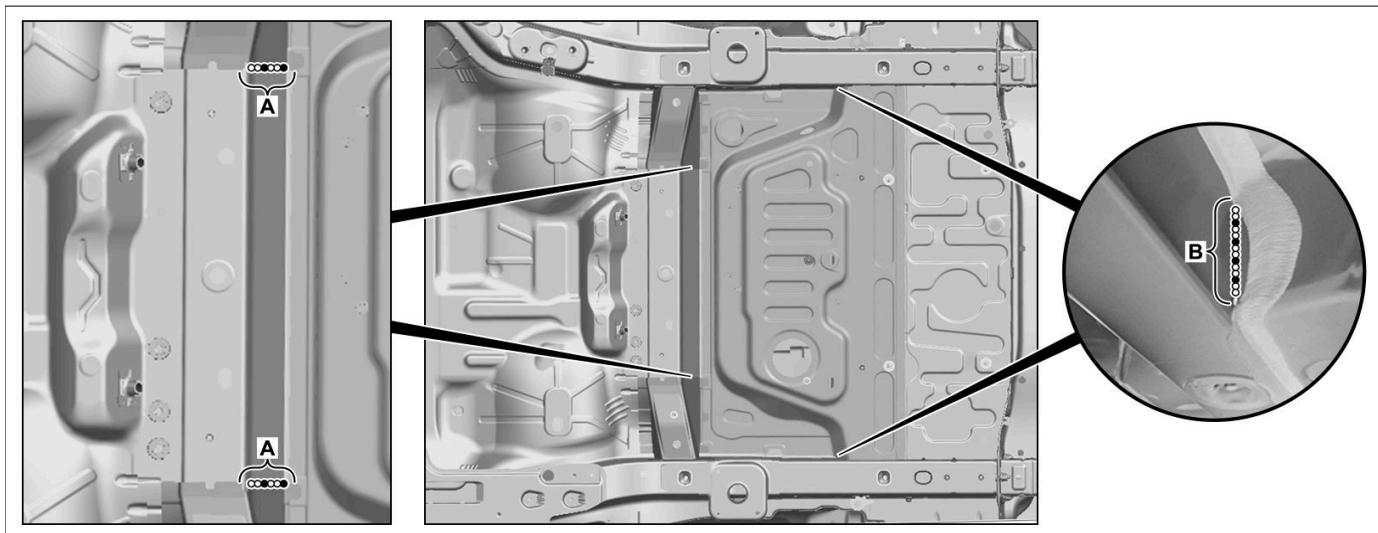


Model 177, 247

Operation no. of the operation texts or standard texts and flat rates

Category	Op. no.	Operation text	Time	Acc. no.	Code
P	02-1452	Rework seam seal on underbody of rear axle at left and right			



P97.10-A030-08

A Apply seam seal

B Apply seam seal

	Risk of explosion and poisoning caused by solvent vapors and gasses. Risk of injury to skin and eyes when working with anticorrosion agents	Never spray corrosion protection on flames or hot, glowing objects and keep them well away from all potential sources of ignition. Use them only in well-ventilated rooms; wear respiratory protection.	AS97.00-Z-0001-01A
⚠ Caution	Risk of injury caused by scraping or cutting body parts on sharp vehicle parts	Always wear protective gloves when working on or near sharp and non-deburred vehicle parts. Deburr repair panels.	AS00.00-Z-0017-01A
◀	Check		
1	Check, whether the vehicle is affected by the measure.	Model 177 as of 160568 up to 160579 Model 247 as of 083511 up to 083512	SM97.10-P-0027-01AAA SM97.10-P-0027-01AAB
↔ ↔	Remove/install		
2 ↔ AR	Remove rear axle.		AR35.10-P-0010MFA
3 ↔ AR ↔ AR ↔ AR	Remove fuel tank.	Model 177, 247 with engine 260 Model 177, 247 with engine 282 except code ME08 (Hybrid drive 75-84 kW VARIANT (INCLUDING PLUGIN)) Model 177, 247 with engine 608, 654 Model 177, 247 with engine 139 Model 177, 247 with engine 282 with code ME08 (Hybrid drive 75-84 kW VARIANT (INCLUDING PLUGIN))	AR47.10-P-4100MFD AR47.10-P-4100MFE AR47.10-P-4100MFG AR47.10-P-4100MFH
4	Remove heat shields and lines in area of seam seals (A, B).		
5	Remove grease and dirt from area of seam seals (A, B).		
6	Rework seam seals (A, B) at right and left.	Seam seal, sprayable and easy to apply	*BR00.45-Z-1134-01A
7	Install in the reverse order.		

Repair materials

Number	Designation	Order number
BR00.45-Z-1134-01A	Seam seal, sprayable and easy to apply	A 002 989 63 98

Parts ordering note

Part no.	Designation	Quantity
N 000000 002348	Screws for axle carrier (model 177)	
A 000 990 80 06	Screws for axle carrier (model 247)	
	Small parts such as screws, stop nuts, sealing rings, cable ties, fluids, sealant etc. are not listed in the parts list. The required small parts are taken into account in the cost framework.	