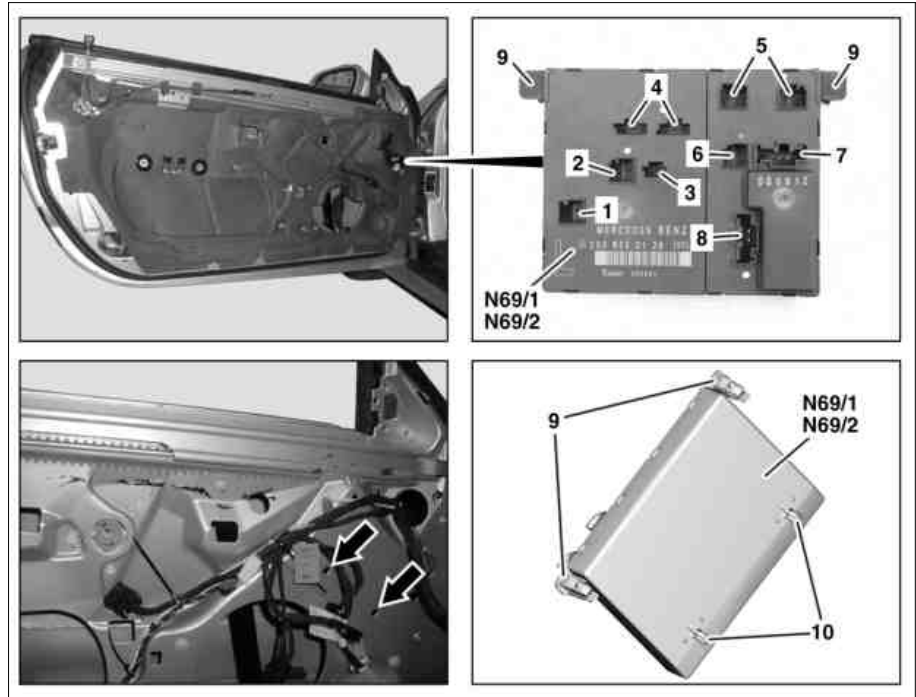


MODEL 230.4

- 1 Electrical connector for door lock
- 2 Electrical connector for switch or power window switch group
- 3 Electrical connector for remote opening trunk lid switch
- 4 Electrical connectors for seat adjustment switch group
- 5 Electrical connectors for outside mirror
- 6 Electrical connector for entrance/exit lamp
- 7 Electrical connector for door control unit supply line



P72.29-2105-06

- 8 Electrical connector power window motor

- 9 Mounting clip
- 10 Mounting hook

- N69/1 Left door control unit
- N69/2 Right door control unit

Modification notes

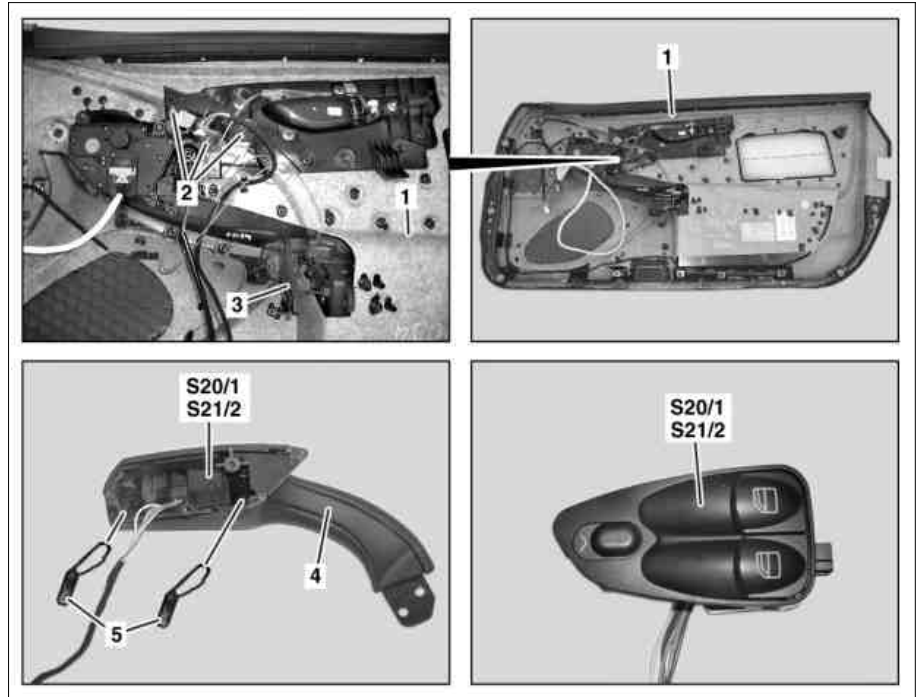
21.11.05	Disconnect ground line replaced by switching on ignition	Step 1	
----------	--	--------	--

Remove/install		
1	Switch off ignition and remove transmitter key from EIS control unit	i On vehicles with code (889) Keyless Go, press Keyless Go start/stop button repeatedly until ignition is switched off. Remove Keyless Go transmitter card or transmitter key from vehicle and store beyond reach of transmitter (min. 2 m).
2	Remove door lining from left or right front door	AR72.10-P-1000R
3	Disconnect electrical connectors (1 to 8) on left door control unit (N69/1) or right door control unit (N69/2)	
4	Press mounting clips (9) together and remove left door control unit (N69/1) or right door control unit (N69/2) from inner door panel.	i Installation: First install mounting hooks (10) in holes (arrows) in inner door panel and then clip left door control unit (N69/1) or right door control unit (N69/2) into inner door panel with mounting clips (8).
5	Install in the reverse order	

MODEL 230.4

- 1 Door lining
- 2 Bolts
- 3 Bracket
- 4 Inside door handle
- 5 Retaining clips

S20/1 Driver power window switch group
 S21/2 Front passenger power window switch



P72.29-2109-06

☒ ☒	Remove/install		
1	Remove door lining (1) from left and right front door		AR72.10-P-1000R
2	Remove bracket (3) from door lining (1)		
3	Unscrew bolts (2) and remove inside door handle (4)		
4	Pull retaining clips (5) out of inside door handle (4)		
5	Remove driver power window switch group (S20/1) or front passenger power window switch (S21/2) from inside door handle (4).	⚠ Do not damage retaining lugs, otherwise driver power window switch group (S20/1) or front passenger power window switch (S21/2) no longer locks.	
6	Install in the reverse order		