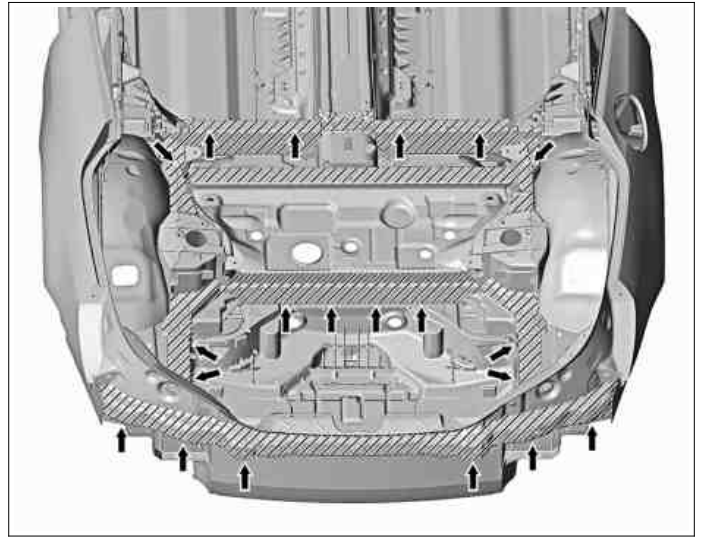
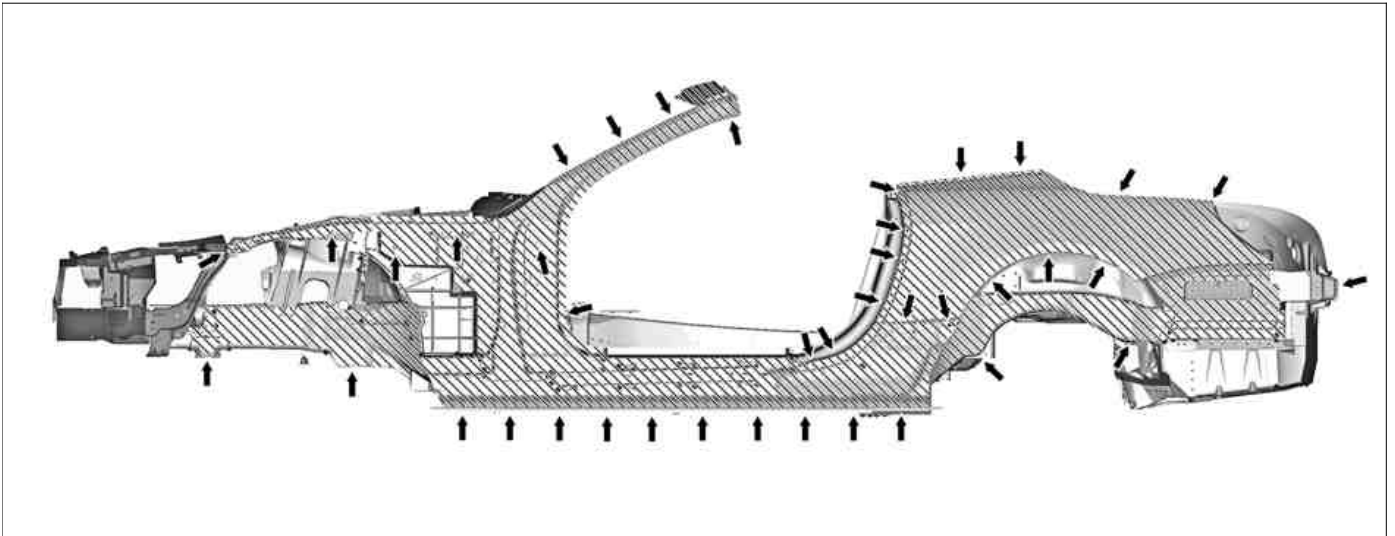


Rear end

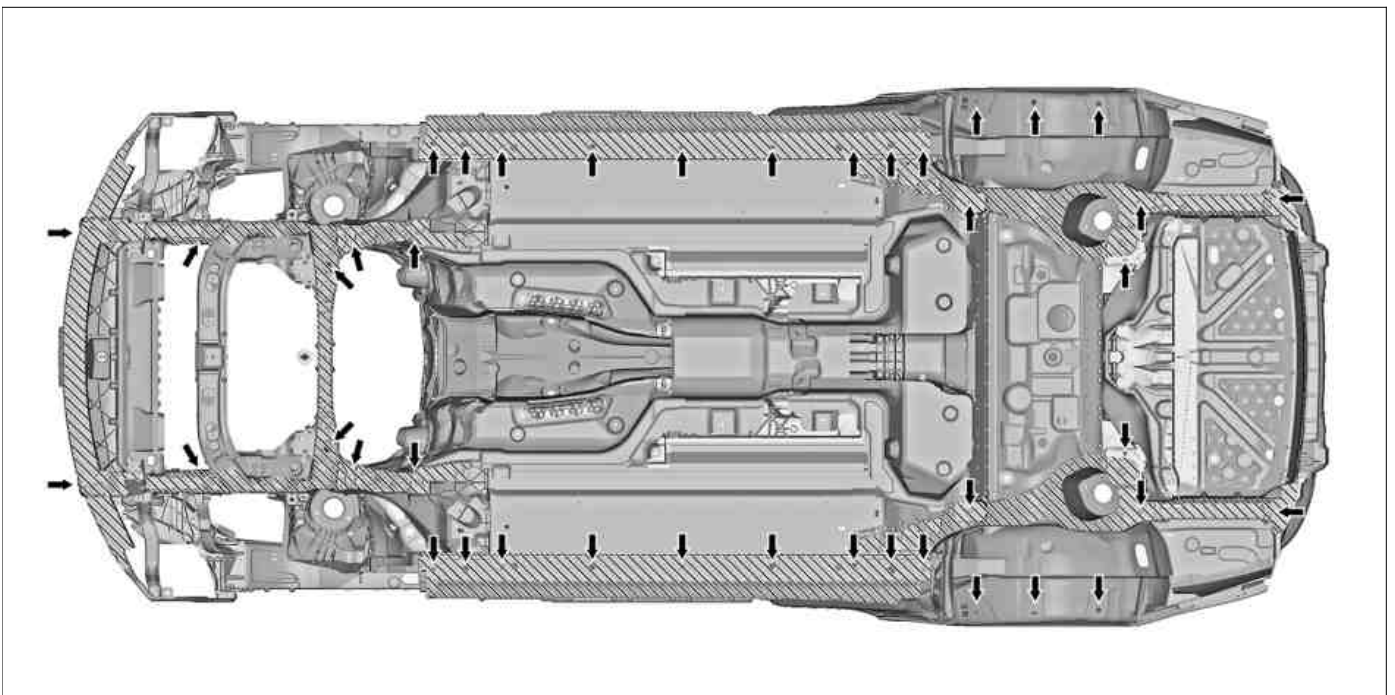


P97.20-2629-11



P97.20-2625-08

Upper front longitudinal member, A-pillar, side wall paneling and lower side longitudinal member



Underfloor

Picture no., etc.	Work notes		
⚠ Danger! ⓘ A	Risk of explosion and poisoning caused by solvent vapors and gasses. Risk of injury to skin and eyes when working with anticorrosion agents Notes on cavity preservation Cavity preservation in crimping area	Never spray corrosion protection on flames or hot objects and keep well away from all potential sources of ignition. Use only in well-ventilated areas; wear respiratory protection. ⓘ Install from inside through openings (arrows) with hook probe. Apply cavity preservation with spraying hose and nozzle (spraying angle 360°) as far as possible into cavities. Cavity preservation, solvent-free (1 l container)	AS97.00-Z-0001-01A AH97.20-P-0001-01B *BR00.45-Z-1003-05A
B	Inner surface, cavities and gaps	ⓘ Uniformly moisten cavity preservation. Cavity preservation, solvent-free (1 l container)	*BR00.45-Z-1003-05A

Repair materials

Number	Designation	Order number
BR00.45-Z-1003-05A	Cavity preservation, solvent-free (1 l container)	A 000 986 72 70 05