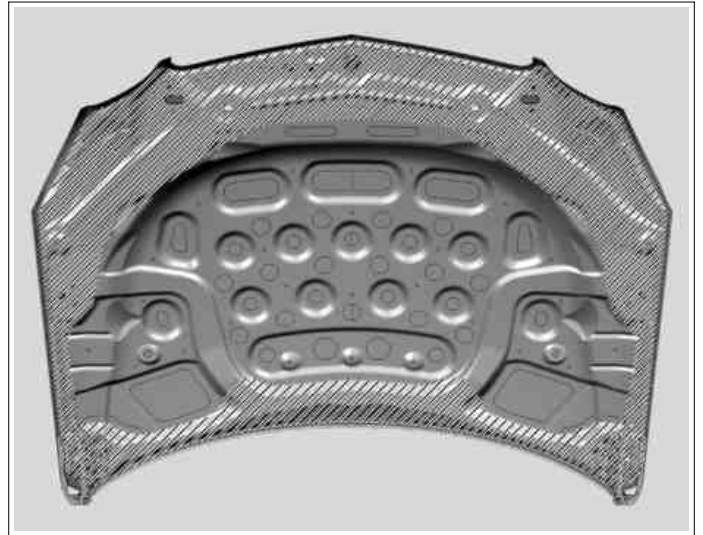
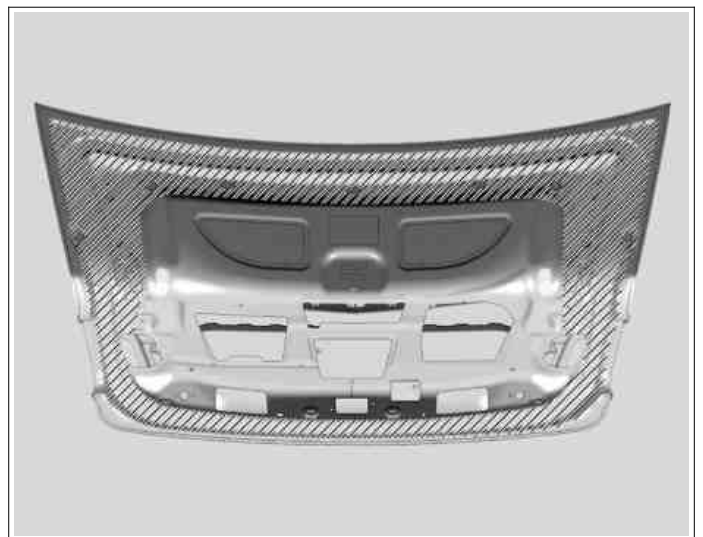


Engine hood



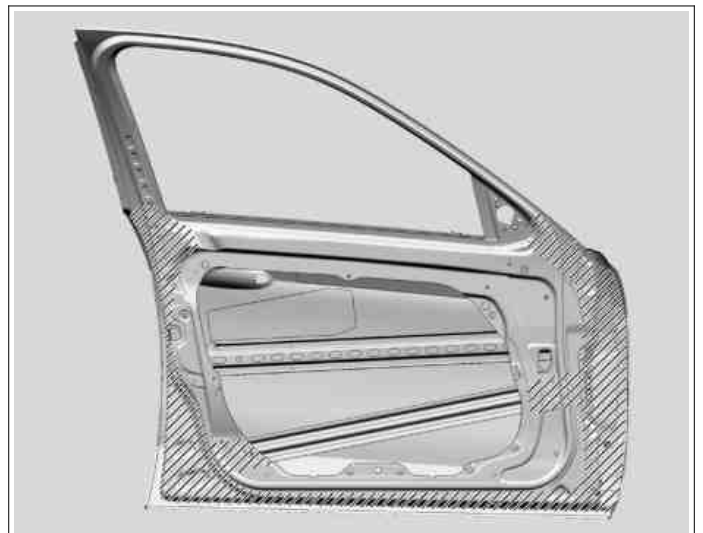
P97.20-2526-11

Liftgate



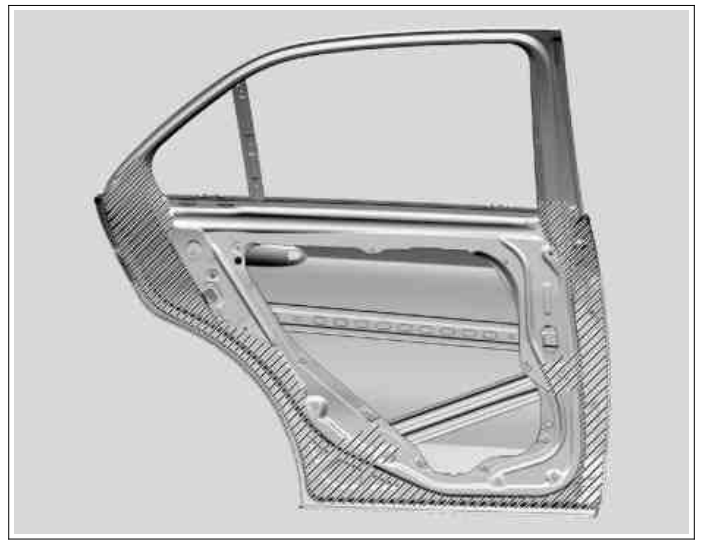
P97.20-2525-11

Front door

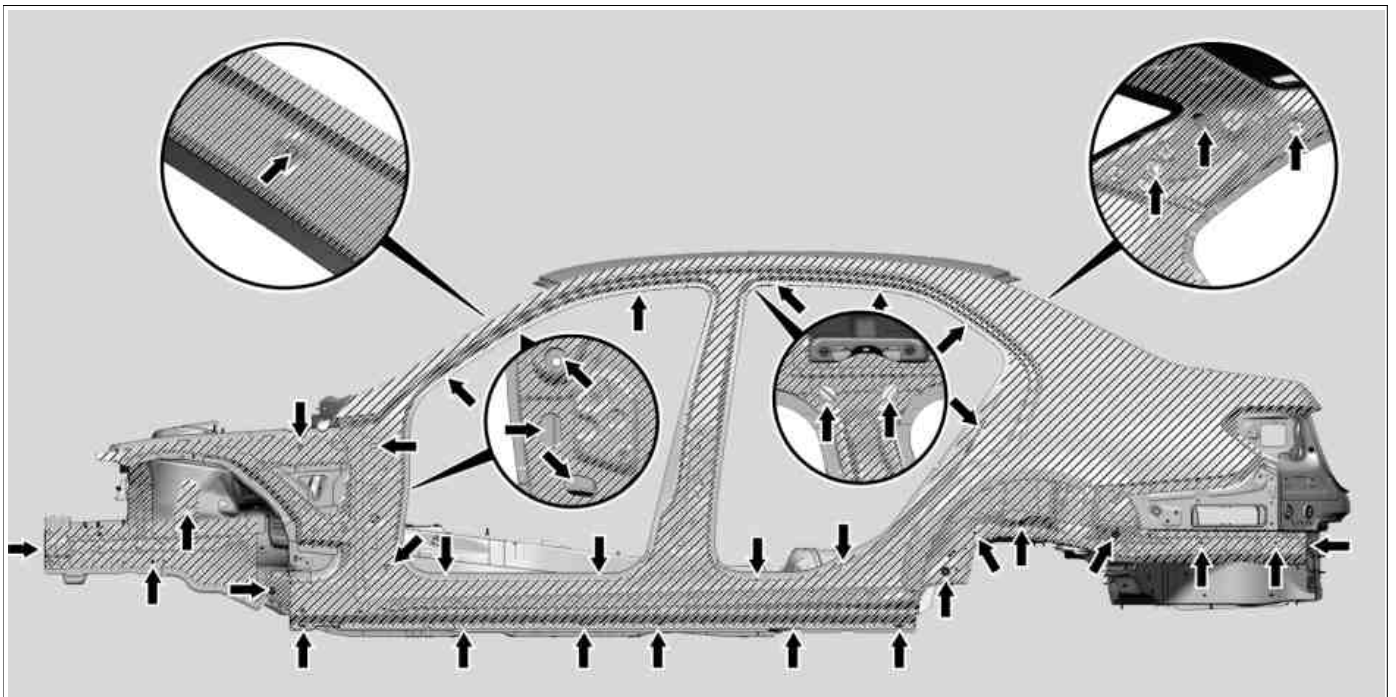


P97.20-2524-11

Rear door

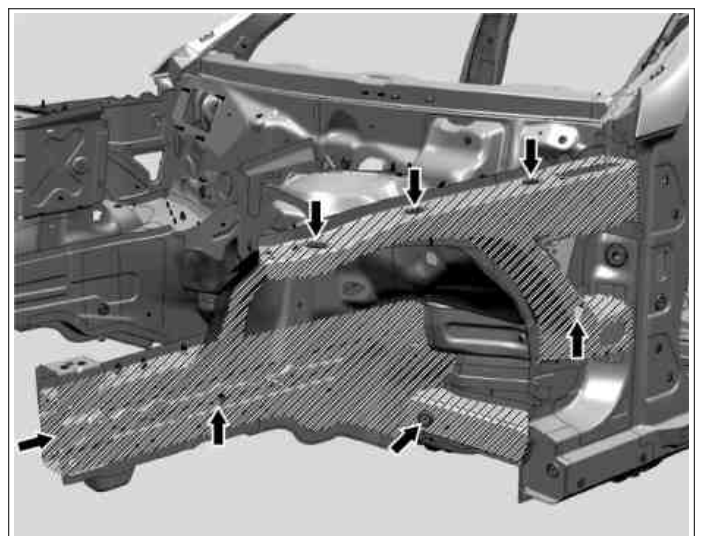


P97.20-2518-11



P97.20-2523-09

Upper front longitudinal member, A-pillar, B-pillar, C-pillar, side wall paneling and bottom side longitudinal member
Front longitudinal member



P97.20-2522-11