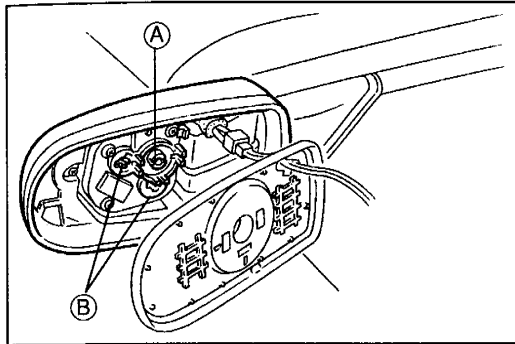
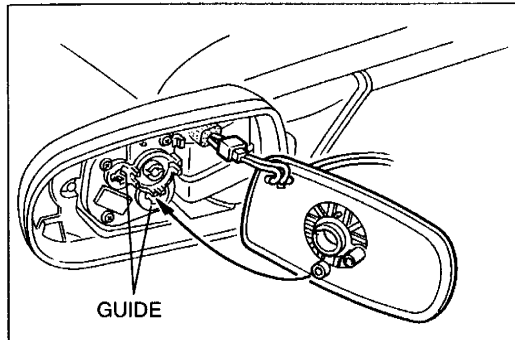


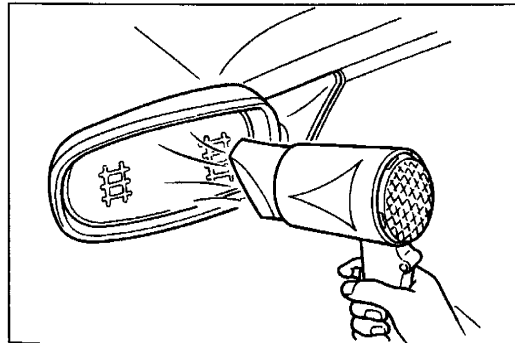
3ZE0SX-095



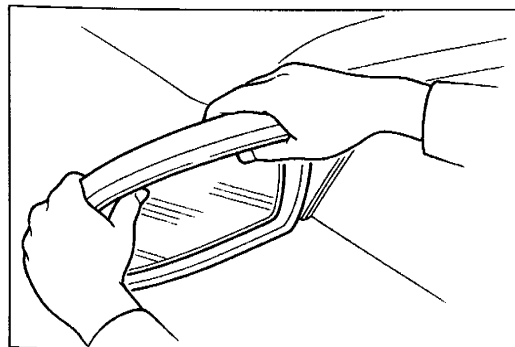
3ZE0SX-096



3ZE0SX-097



3ZU0SX-014



3ZE0SX-099

### Installation

1. Reconnect the heated outside mirror harness connector, and wrap it in tape.
2. Secure the connector in back of the case. If the connector is not put in back of the case, the connector will prevent the mirror body from moving.

3. Verify that there is enough grease in parts (A) and (B). If necessary, apply more grease. Use only the following specification.

**Grease specification: H385 76 189**

4. Align the mirror body with the power unit guide, and press in the mirror body.
5. Apply grease to the washer, and install the washer and the screw. Remove any grease that may be on the surface of the mirror body.

6. Remove the film from the adhesive tape on back of the new mirror glass.
7. Warm the adhesive surface of the mirror body and mirror glass by using a hot-air blower.

8. Install the glass to the mirror body and gently press in the glass to secure it.