

Record Track Serial Numbers



RW26611-UN: Track Serial Number

NOTE:

Serial numbers with a "TM" prefix are also located on three different guide lugs of each track.

Identification number (A) is located on inside flat surface beside the guide lugs.

-: Serial Number Plate

Left Track Serial Numbers	
*	*

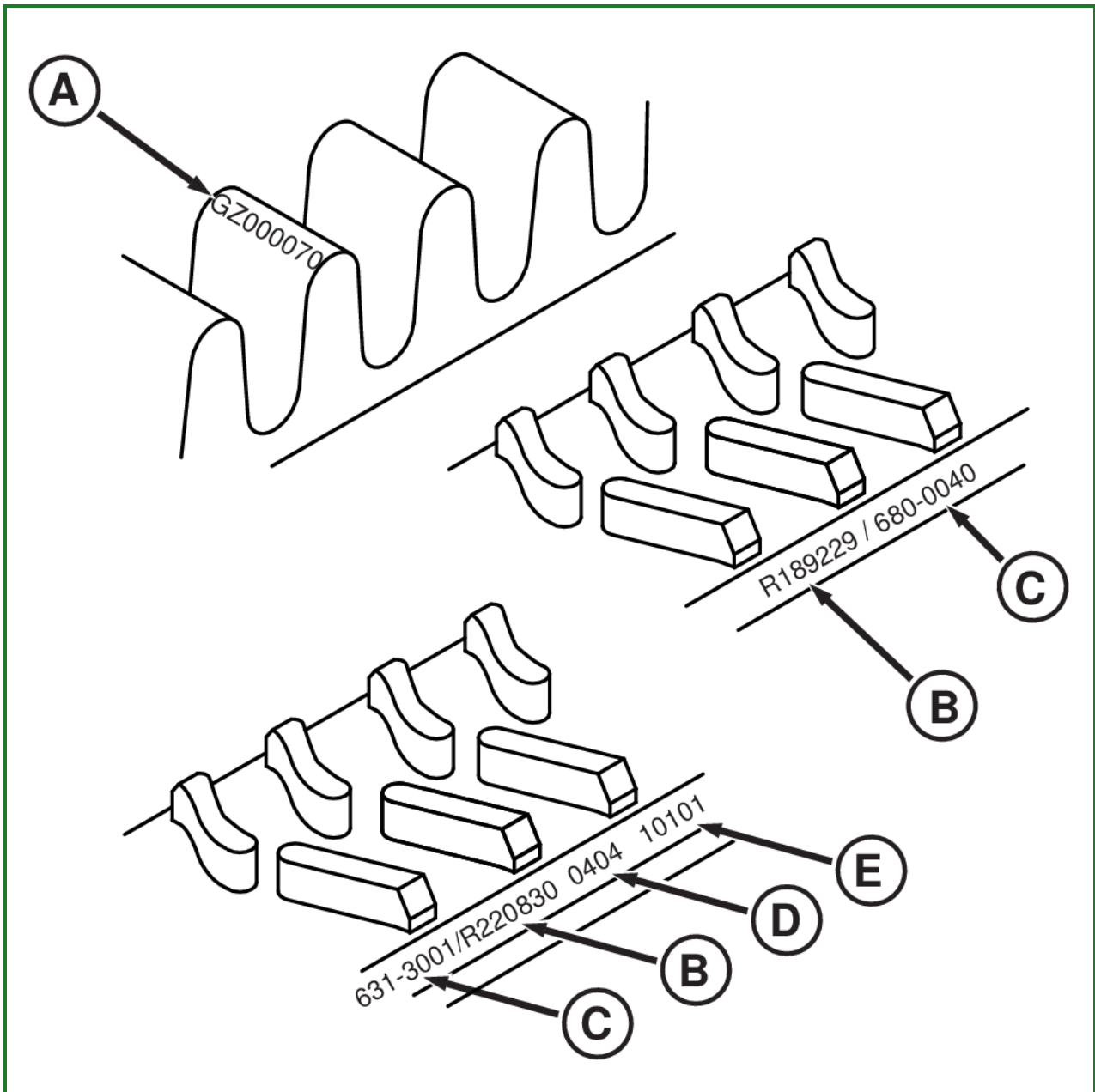
*TM	*

Right Track Serial Numbers	
*	*

*TM	*

OURX984,00001D5-19-24OCT02

Camoplast Track Serial Numbers



RXA0073799-UN: Serial Numbers on Tracks

LEGEND:

- A - Serial Number
- B - John Deere Part Number
- C - Manufacturer Number
- D - Manufactured Date Sample
- E - Serial Number

Camoplast identification numbers may be in different formats. Tracks with the Camoplast logo will have the serial number (A) directly opposite the Camoplast label on the guide lug. The manufacturer number (C) is made up of seven numbers and is found on both edges of the edge of the track. John Deere part numbers (B), normally one letter followed by six numbers are also on both edges of the track. The serial number for Durabuilt tracks will have serial number on both edges of the track. It is made up of four numbers for example; April 2004 (0404) (D). Followed by five numbers, the serial number, (E).

Left Track Serial Number