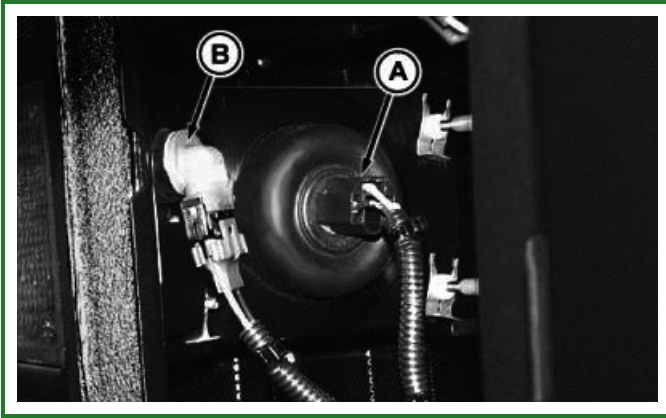


Replacing Front Lights

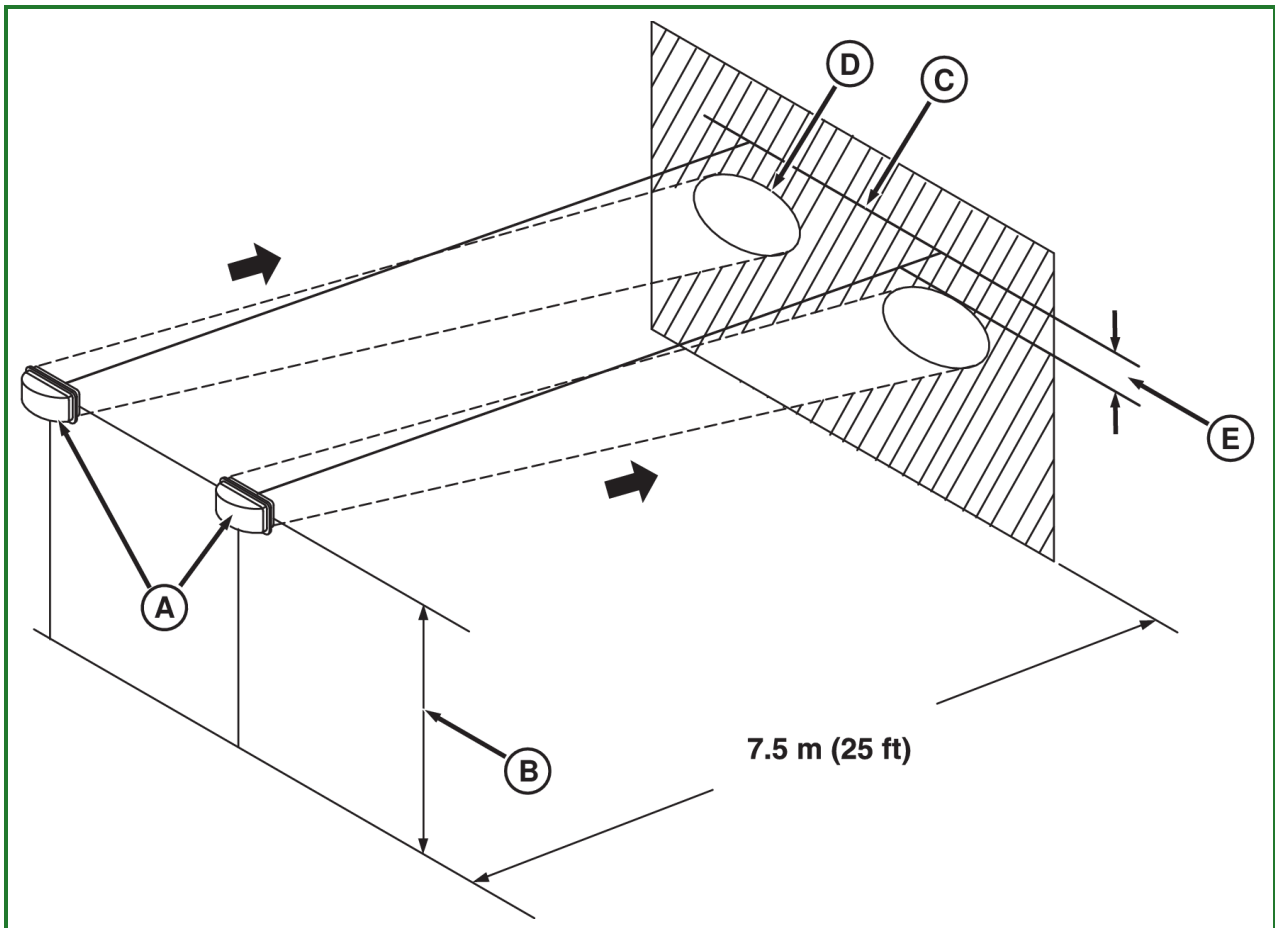


RW26531-UN: Replace Front Lights

1. Open hood and remove side shields.
2. Remove connector (A). Remove dust boot, and unlatch retaining spring. Remove lamp element and install new element. Latch retaining spring. Install dust boot and connector.
3. To replace side lamp (B), twist connector 1/4 turn and pull to remove. Replace element and install connector.

AG,RX15494,1890-19-09MAY00

Adjusting Head Lights



RW26898-UN: Head Light Aiming Diagram

LEGEND:

- A - Head Lights
- B - Distance from Center of Head Light to Ground
- C - Horizontal Line on Wall
- D - Border of Bright Area
- E - 10% of Distance (B)

1. Park tractor on a level surface with head lights (A) 7.5 meters (25 ft) from a vertical wall.
2. Measure the distance (B) from the center of a head light to the ground.
3. Mark a horizontal line (C) on the wall, the same distance from the ground as (B).
4. Set head lights on low beam and observe bright areas on the wall.
5. Adjust head lights so the upper border of bright area (D) is **at least** one tenth of distance (B) **below** line (C).

AG,RF30435,2633-19-05MAY00