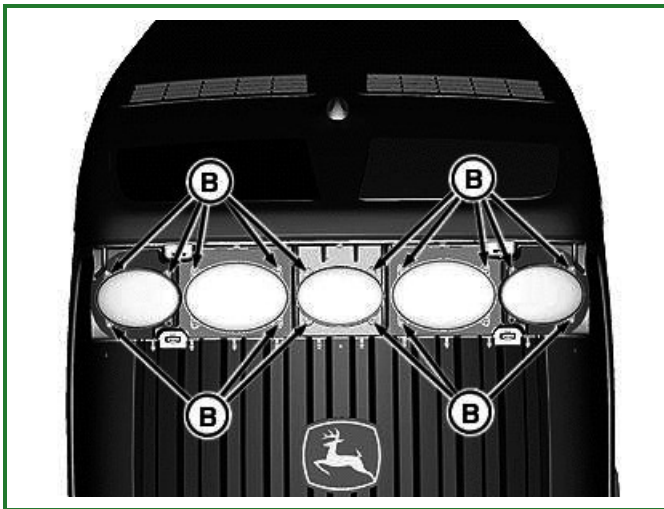


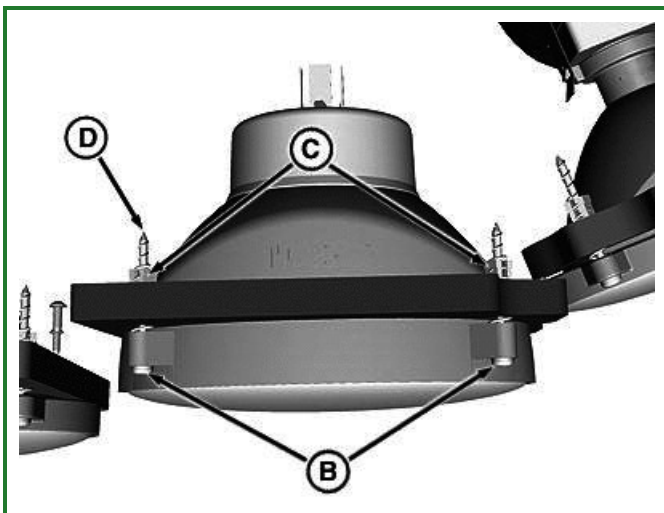
Adjusting Front Grille Lights



RXA0080172-UN: Pull Front Bezel Straight Back



RXA0080168-UN: Adjust Headlights



RXA0080565-UN: Adjust Headlights

LEGEND:

- A - Position
- B - Aiming Screws
- C - Cap Screws
- D - Screw tips

1. To remove bezel, place one hand on each side of bezel (A) and pull straight back.
2. Adjust the beam of each bulb by turning aiming screws (B).

3. To return to light factory settings, adjust cap screws (C) so the screw tips (D) are flush with plastic retainers, then adjust light beams from there.

OURX935,0000767-19-20050811