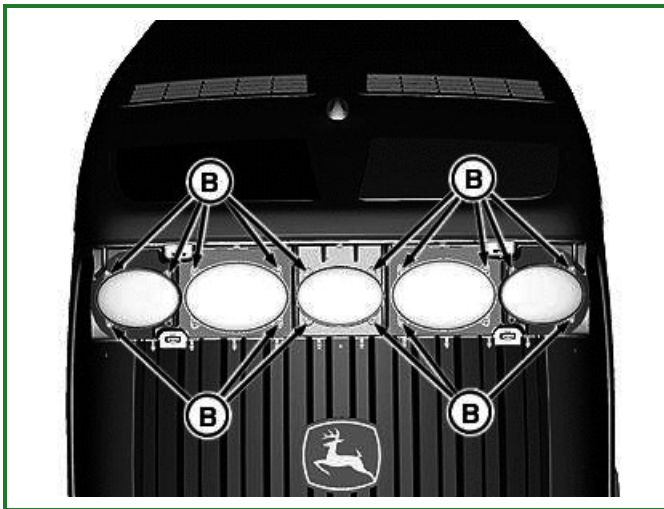


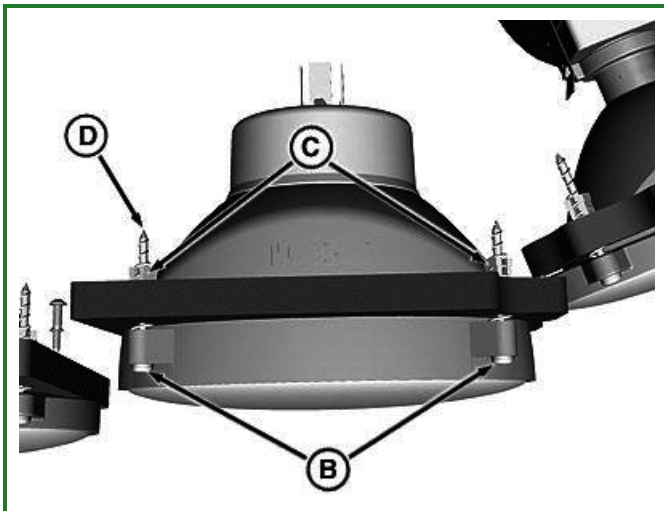
## Adjusting Front Grille Lights



**RXA0080172-UN: Pull Front Bezel Straight Back**



**RXA0080168-UN: Adjust Headlights**



**RXA0080565-UN: Adjust Headlights**

**LEGEND:**

- A - Position
- B - Aiming Screws
- C - Cap Screws
- D - Screw tips

1. To remove bezel, place one hand on each side of bezel (A) and pull straight back.
2. Adjust the beam of each bulb by turning aiming screws (B).

3. To return to light factory settings, adjust cap screws (C) so the screw tips (D) are flush with plastic retainers, then adjust light beams from there.

OURX935,0000767-19-11AUG05