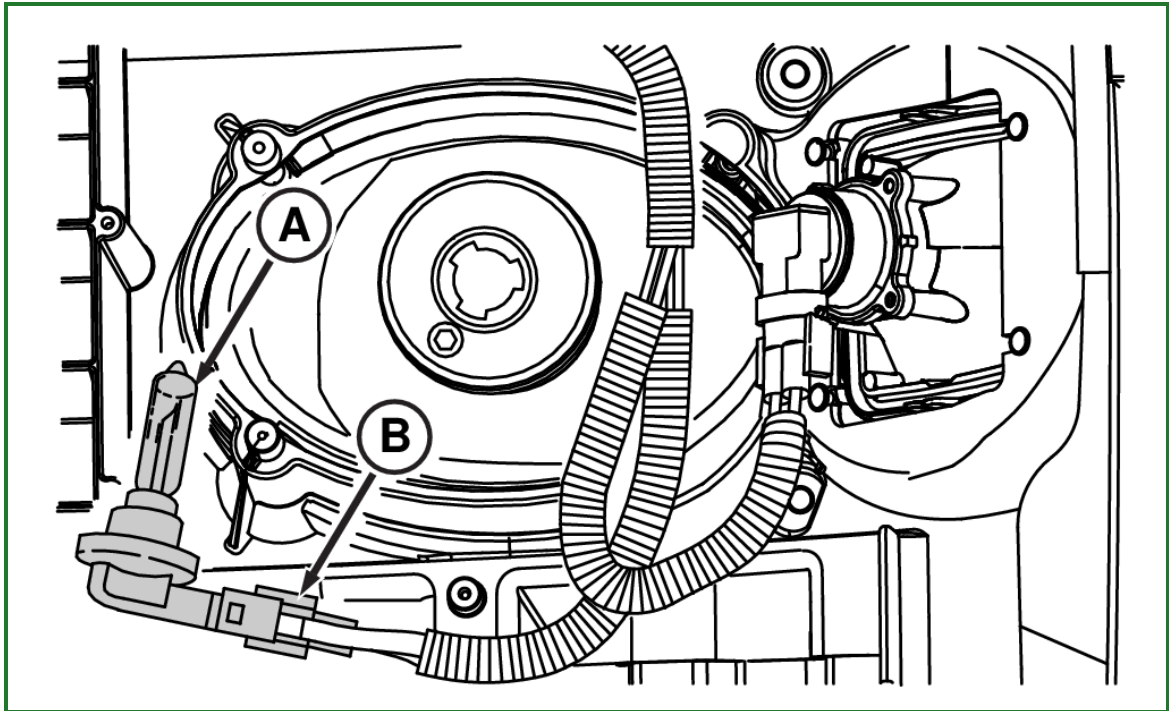


Replacing Front Grille Flood Light Bulb—Standard Lighting

1.



RXA0068499-UN: Right-Hand Side Shown

LEGEND:

A - Bulb

B - Wiring Harness Plug

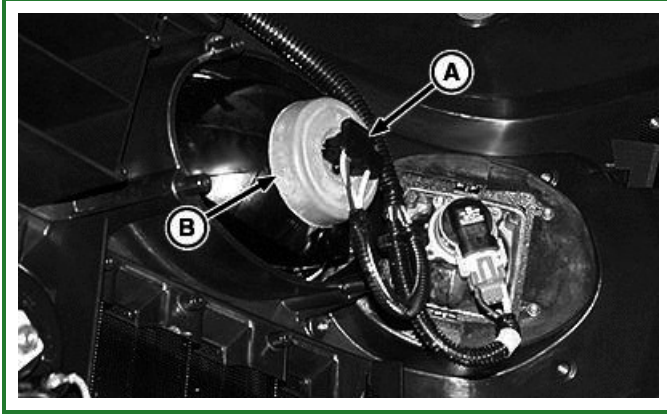
Raise hood.

2. Disconnect wiring harness plug (B).
3. Rotate bulb (A) counterclockwise approximately 1/4 turn and remove.
4. Install bulb in reverse order of removal.

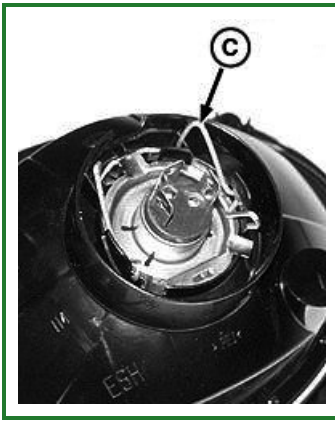
OURX935,0000769-19-20080102

Replacing Road Light Bulb

1.



RXA0068494-UN: Right-Hand Side Shown



RXA0068495-UN: Retaining Spring



RXA0068496-UN: Bulb

LEGEND:

A - Wiring Harness Plug

B - Dust Boot

C - Retaining Spring

D - Bulb

Raise hood.

2. Disconnect wiring harness plug (A).
3. Remove dust boot (B).
4. Unlatch retaining spring (C) and remove bulb (D).