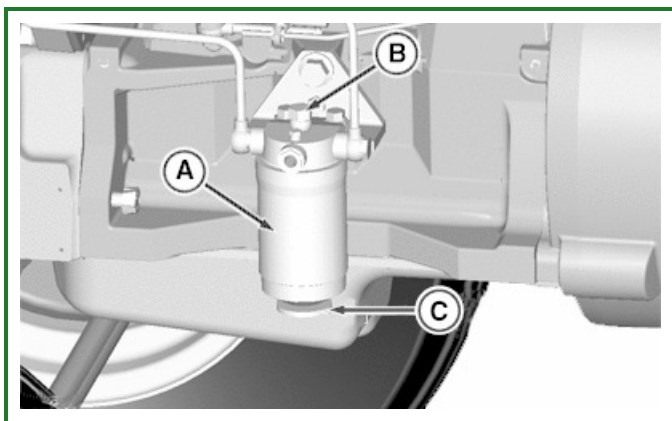
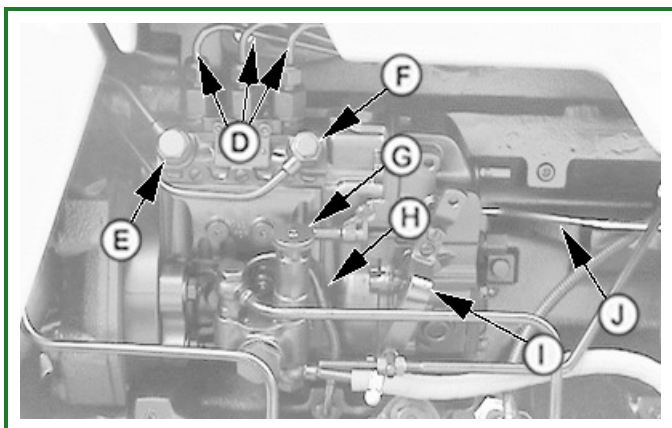


Fuel System Components



PY16892-UN: Fuel System Components



PY7896-UN: Fuel Pump

LEGEND:

- A - Fuel filter Assembly
- B - Bleeding Screw
- C - Sediment Drain Plug
- D - Fuel Injection Lines
- E - Fuel Line to Pump
- F - Fuel return line
- G - Hand Priming Pump
- H - Lubrication
- I - Acclerator
- J - Fuel Shut-off Lever

BS13987,00002EF-19-20130527

Do Not Modify Fuel System

IMPORTANT:

Modification or alteration of the injection pump, the injection pump timing, or the fuel injectors in ways not recommended by the manufacturer will terminate the warranty obligation to the purchaser. (See warranty information inside front cover.)

DO NOT attempt to service injection pump or fuel injectors yourself. Special training and special tools are required. (See your John Deere dealer.)

PY80265,05GO960-19-20050910