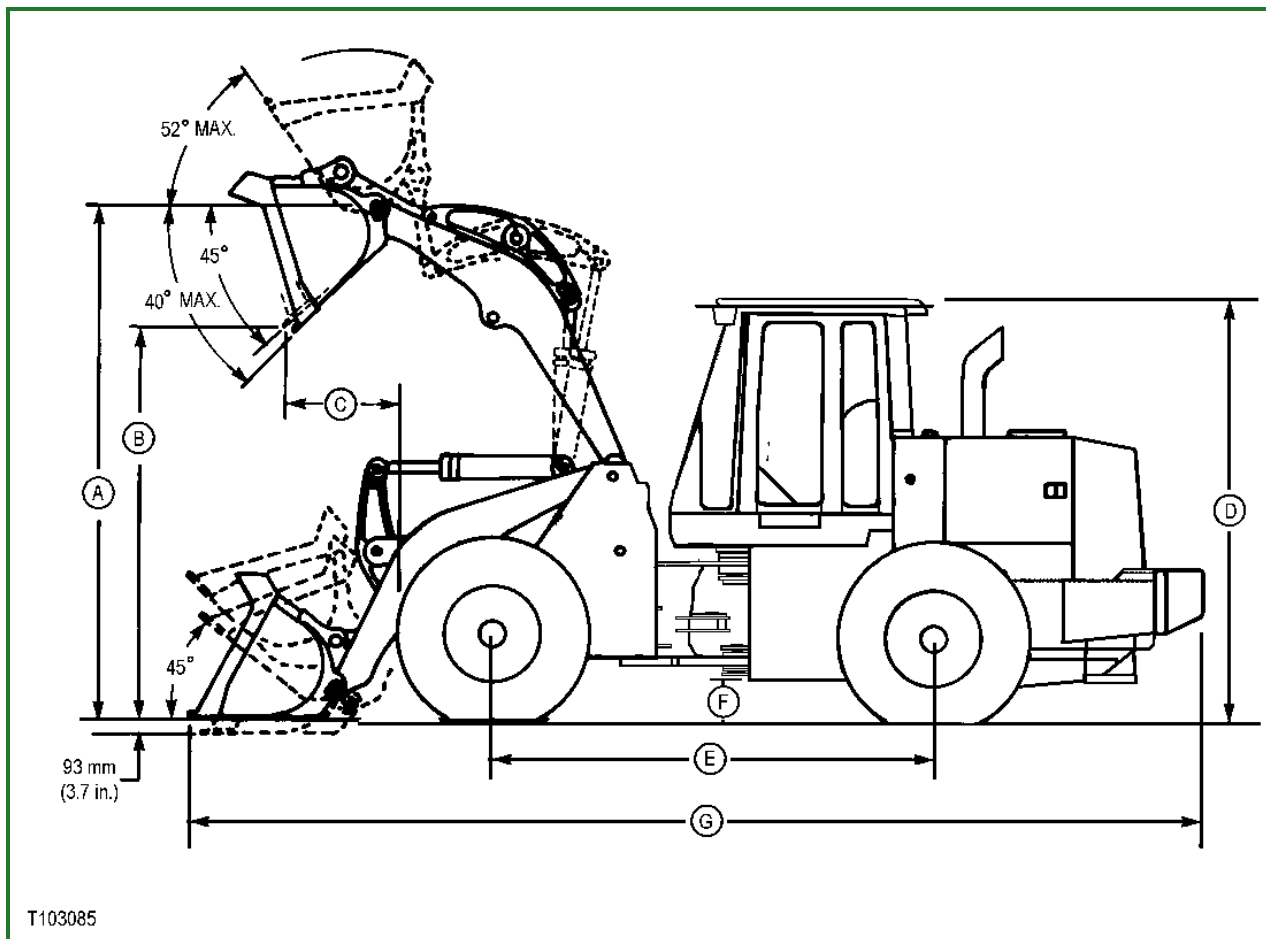


824J Specifications



T103085-UN: 824J Specifications

LEGEND:

- A - Bucket Hinge Height 4510 mm (14 ft 10 in.)
- B - Dump Height 3202 mm (10 ft 6 in.)
- C - Dump Reach 1260 mm (4 ft 1 in.)
- D - Overall Height 3520 mm (11 ft 6.6 in.)
- E - Wheelbase 3400 mm (11 ft 2 in.)
- F - Ground Clearance 465 mm (18.3 in.)
- G - Overall Length 8825 mm (28 ft 11 in.)

Item	Measurement	Specification
Bucket Hinge	Height	4281 mm 14 ft 10 in.
Dump	Height	3202 mm 10 ft 6 in.
Dump Reach	Distance	1260 mm 4 ft 1 in.
Overall	Height	3520 mm 11 ft 6.6 in.
Wheelbase	Distance	3400 mm 11 ft 2 in.
Ground	Clearance	465 mm 18.3 in.
Overall	Length	8991 mm 29 ft 6 in.
Standard Operating Weight		23 450 kg 57 710 lb
Assumed Operator	Weight	79 kg 175 lb

NOTE:

Specifications and design subject to change without notice. Wherever applicable, specifications are in accordance with SAE standards. Except where otherwise noted, specifications are based on a machine equipped with all standard equipment, with 566 kg (1248 lb) optional counterweight, ROPS cab, diff lock front axle with standard rear axle, 2 spool valve with two lever control, heater and defroster, 79 kg (175 lb) operator and full fuel tank.