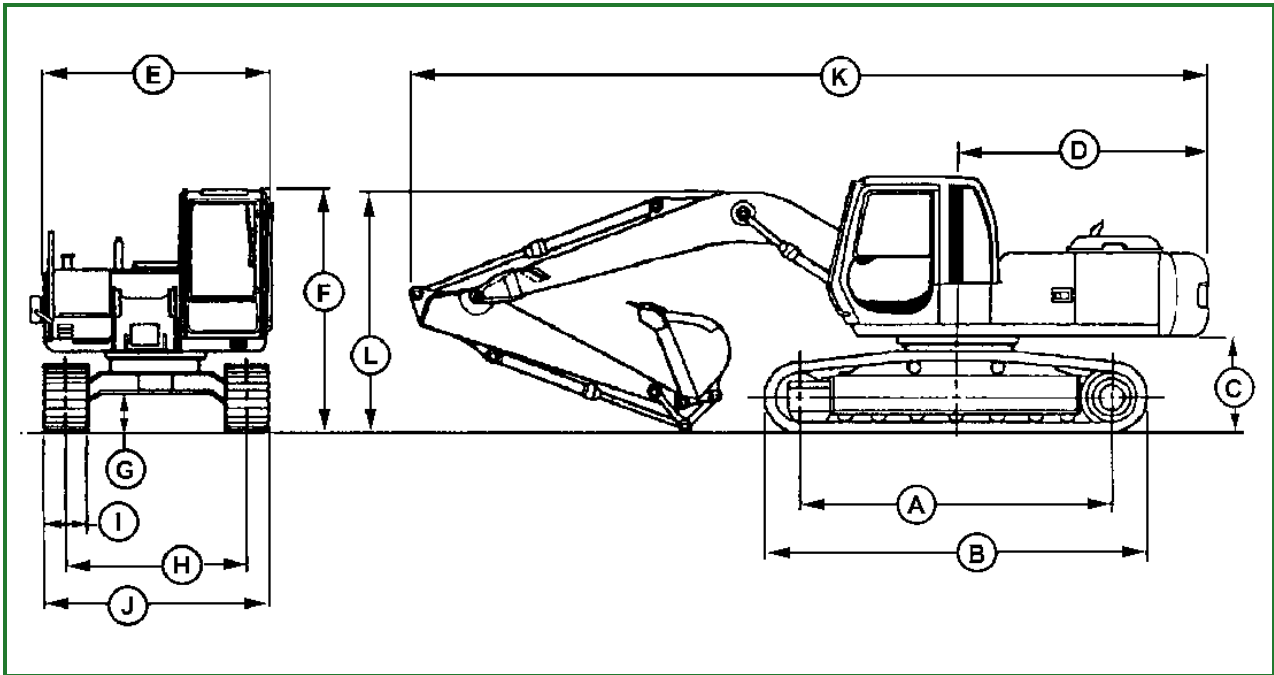


370 Specifications



T113215-UN: 370 Specifications

LEGEND:

- A - Sprocket Center To Idler Center
- B - Undercarriage Length
- C - Counterweight Clearance
- D - Rear End Swing Radius
- E - Overall Width (Excluding Back Mirrors)
- F - Cab Height
- G - Minimum Ground Clearance
- H - Center Of Sprocket To Center Of Sprocket
- I - Track Shoe Width
- J - Undercarriage Width
- K - Overall Length
- L - Transport Height

NOTE:

Specifications and design subject to change without notice. Wherever applicable, specifications are in accordance with PCSA and SAE standards. Except where otherwise noted these specifications are based on a machine equipped with 750 mm (30 in.) shoes, counterweight, 4.0 m (13 ft 1 in.) arm, 1161 kg (2560 lb) 1.76 m³ (2.30 yd³) bucket, full fuel tank, 79 kg (175 lb) operator and standard equipment.

Item	Measurement	Specification
A-Sprocket Center To Idler Center	Distance	4050 mm (13 ft 3 in.)
B-Undercarriage	Length	5060 mm (16 ft 7 in.)
C-Counterweight Clearance	Distance	1250 mm (4 ft 1 in.)
D-Rear End Swing Radius	Distance	3330 mm (10 ft 10 in.)
E-Overall Width (Excluding Back Mirrors)	Distance	2995 mm (9 ft 10 in.)
F-Cab	Height	3230 mm (10 ft 7 in.)
G-Minimum Ground Clearance	Distance	560 mm (1 ft 10 in.)
H-Center Of Sprocket To Center Of Sprocket	Distance	2590 mm (8 ft 6 in.)
I-Track Shoe	Width	750 mm (30 in.)
J-Undercarriage	Width	3340 mm (10 ft 11 in.)
K-Machine	Overall Length	With 2660 mm (8 ft 9 in.) Arm: 11060 mm (36 ft 3 in.)
	Overall Length	With 3200 mm (10 ft 6 in.) Arm: 10900 mm (35 ft 9 in.)
	Overall Length	With 4000 mm (13 ft 1 in.) Arm: 11010 mm (36 ft 1 in.)
L-Machine	Transport Height	With 2660 mm (8 ft 9 in.) Arm: 3480 mm (11 ft 5 in.)
	Transport Height	With 3200 mm (10 ft 6 in.) Arm: 3250 mm (10 ft 8 in.)
	Transport Height	With 4000 mm (13 ft 1 in.) Arm: 3530 mm (11 ft 7 in.)
Machine	Operating Weight	36 832 kg (81,200 lb)

CED,TX14740,6033-19-1998/06/02