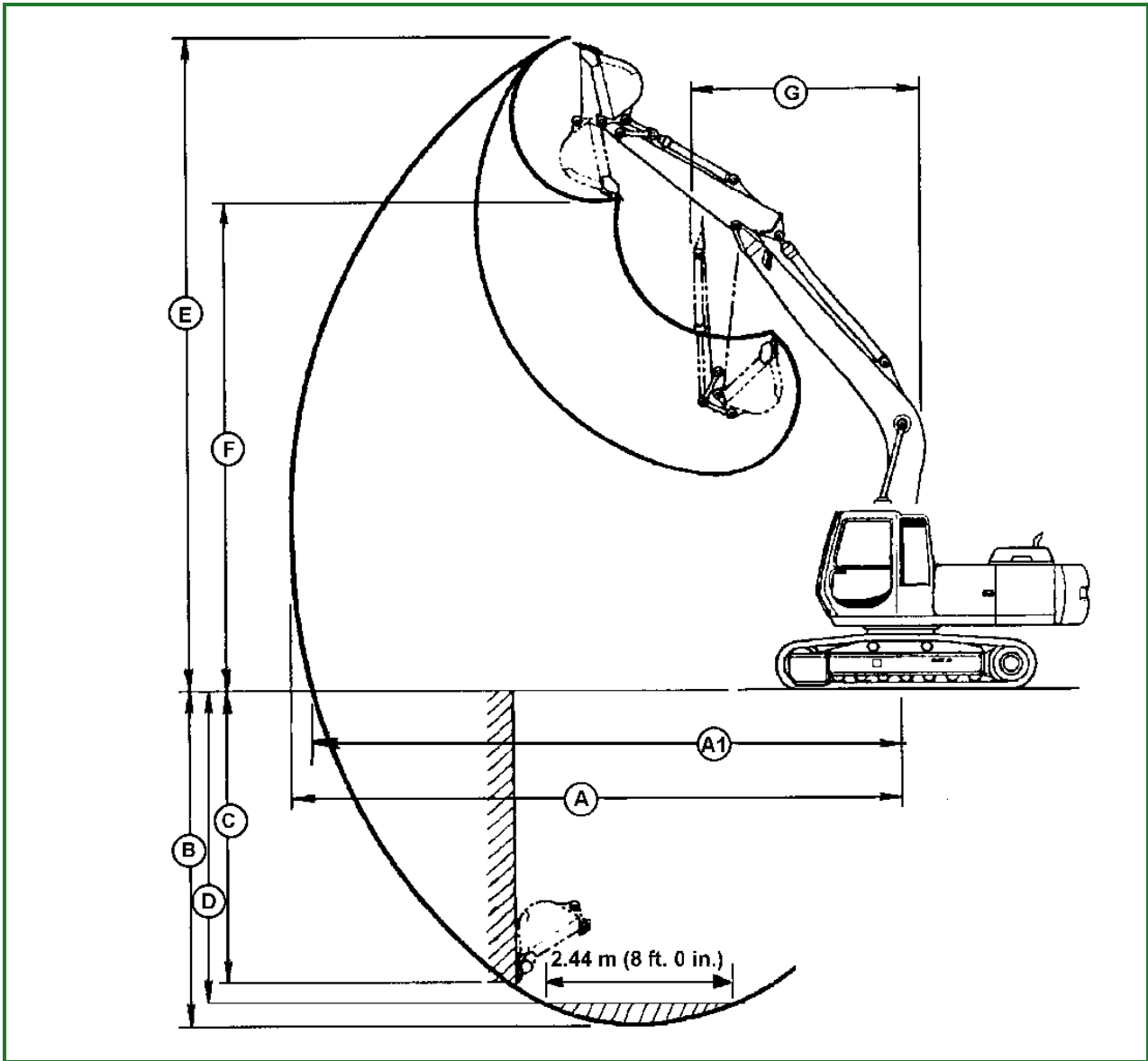


## 230CLC Working Ranges



### T102389-UN: 230CLC Working Ranges

#### **LEGEND:**

- A - Maximum Digging Reach
- A1 - Maximum Digging Reach At Ground Level
- B - Maximum Digging Depth
- C - Maximum Vertical Wall
- D - Maximum Digging Depth (flat bottom)
- E - Maximum Cutting Height
- F - Maximum Dumping Height
- G - Minimum Swing Radius

Item	Measurement	Specification
A—Maximum Digging Reach	Distance	With 2960 mm (9 ft 9 in.) Arm: 10270 mm (33 ft 8 in.)
	Distance	With 3610 mm (11 ft 10 in.) Arm: 10900 mm (35 ft 9 in.)
A1—Maximum Digging Reach At Ground Level	Distance	With 2960 mm (9 ft 9 in.) Arm: 10100 mm (33 ft 2 in.)
	Distance	With 3610 mm (11 ft 10 in.) Arm: 10730 mm (35 ft 2 in.)
B—Maximum Digging Depth	Depth	With 2960 mm (9 ft 9 in.) Arm: 6950 mm (22 ft 10 in.)
	Depth	With 3610 mm (11 ft 10 in.) Arm: 7590 mm (24 ft 11 in.)
C—Maximum Vertical Wall	Depth Depth	With 2960 mm (9 ft 9 in.) Arm: 6020 mm (19 ft 9 in.)
	Depth	With 3610 mm (11 ft 10 in.) Arm: 6740 mm (22 ft 2 in.)
D—Maximum Digging Depth (Flat Bottom)		With 2960 mm (9 ft 9 in.) Arm: 6740 mm (22 ft 1 in.)
	Depth	With 3610 mm (11 ft 10 in.) Arm: 7430 mm (24 ft 5 in.)
E—Maximum Cutting Height	Height	With 2960 mm (9 ft 9 in.) Arm: 9630 mm (31 ft 7 in.)
	Height	With 3610 mm (11 ft 10 in.) Arm: 9990 mm (32 ft 9 in.)
F—Maximum Dumping Height	Height	With 2960 mm (9 ft 9 in.) Arm: 6760 mm (22 ft 2 in.)
	Height	With 3610 mm (11 ft 10 in.) Arm: 7100 mm (23 ft 4 in.)
G—Minimum Swing Radius	Radius	With 2960 mm (9 ft 9 in.) Arm: 3870 mm (12 ft 8 in.)
	Radius	With 3610 mm (11 ft 10 in.) Arm: 3890 mm (12 ft 9 in.)

TX14740,0001CC0-19-20010119