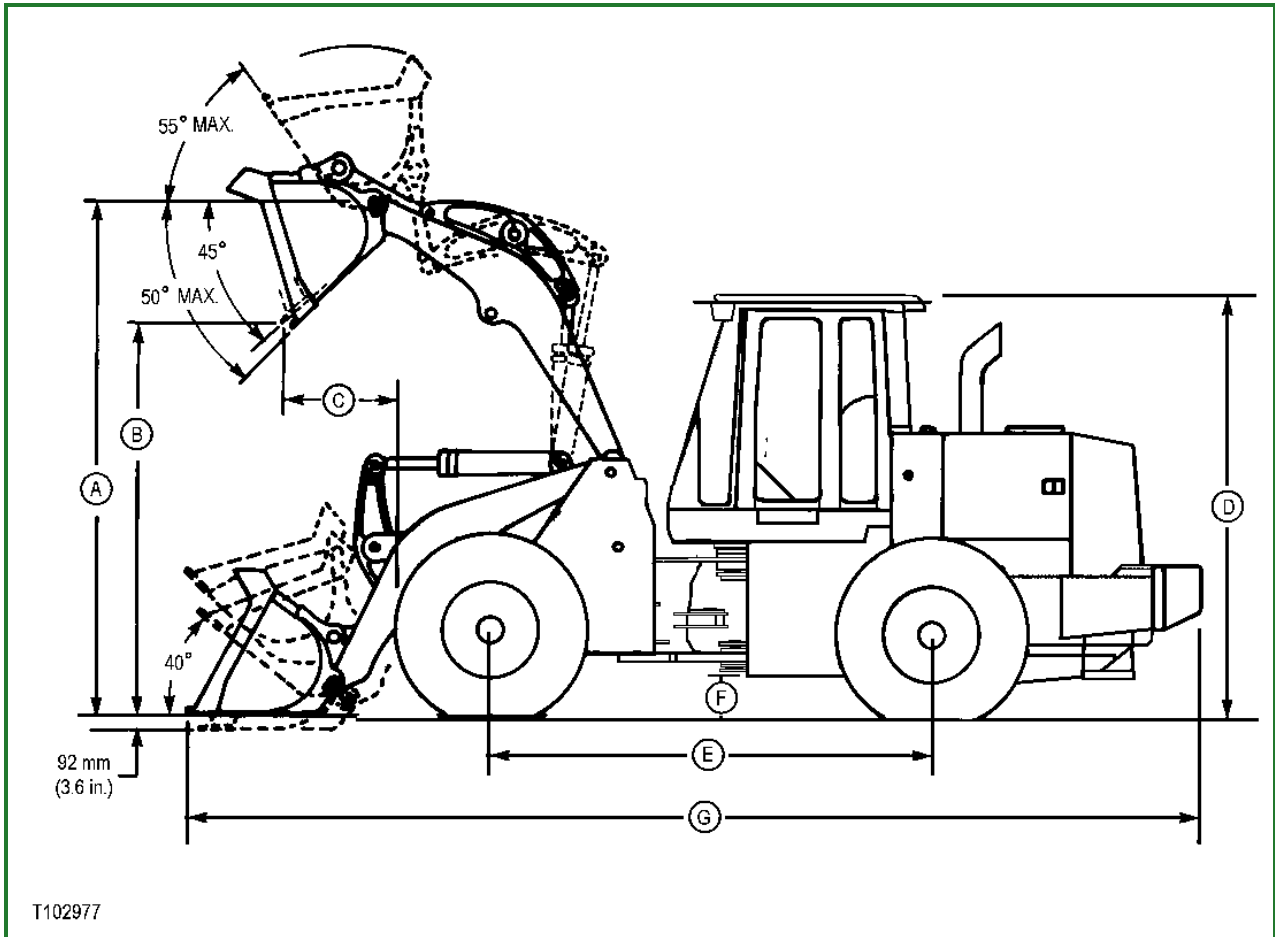


744J Specifications



T102977-UN: 744J Specifications

LEGEND:

- A - Bucket Hinge Height 4281 mm (14 ft 0.6 in.)
- B - Dump Height 3042 mm (9 ft 10 in.)
- C - Dump Reach 1270 mm (4 ft 2 in.)
- D - Overall Height 3520 mm (11 ft 6.6 in.)
- E - Wheelbase 3400 mm (11 ft 2 in.)
- F - Ground Clearance 465 mm (18.3 in.)
- G - Overall Length 8586 mm (28 ft 2 in.)

Item	Measurement	Specification
Bucket Hinge-To-Ground Height	Distance	4281 mm 14 ft 0.6 in.
Bucket Dump-To-Ground Height	Distance	3042 mm 9 ft 10 in.
Bucket Dump-To-Tire Reach	Distance	1270 mm 4 ft 2 in.
Machine	Overall Height	3520 mm 11 ft 6.6 in.
Machine Wheelbase	Length	3400 mm 11 ft 2 in.
Machine	Ground Clearance	465 mm 18.3 in.
Machine	Overall Length	8403 mm 28 ft 2 in.
Machine	Operating Weight	23 360 kg 51 500 lb
Assumed Operator	Weight	79 kg 175 lb

NOTE:

Specifications and design subject to change without notice. Wherever applicable, specifications are in accordance with SAE standards. Except where otherwise noted, specifications are based on a machine equipped with all standard equipment, with 566 kg (1248 lb) optional counterweight, ROPS cab, diff lock front axle with standard rear axle, 2 spool valve with two lever control, heater and defroster, 79 kg (175 lb) operator and full fuel tank.