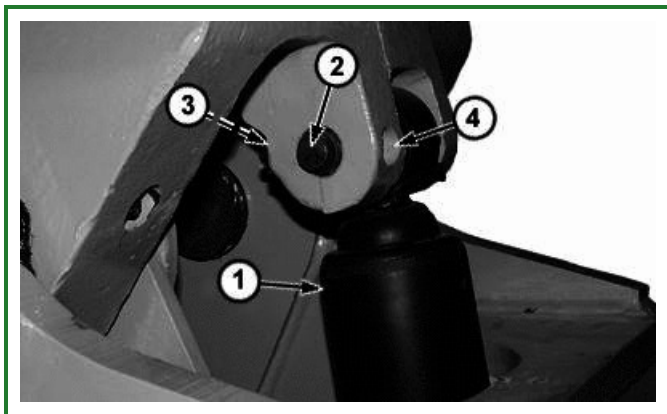


Grapple Shock Replace



TX1019957A-UN: Grapple Shock Upper Pin



TX1019963A-UN: Grapple Shock Lower Pin

LEGEND:

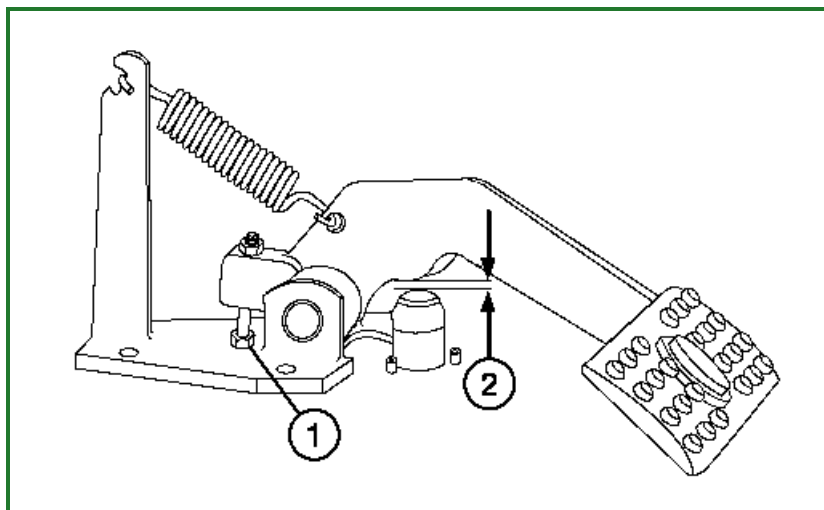
- 1 - Grapple Shock
- 2 - Cotter Pin
- 3 - Upper Pin
- 4 - Retaining Pin
- 5 - Nut
- 6 - Cap Screw

The grapple shock (1) limits the side-to-side swinging of the grapple head.

Replace the grapple shock if the grapple head swings too freely.

1. Remove cotter pin (2), retaining pin (4), and upper pin (3).
2. Remove nut (5) and cap screw (6).
3. Remove grapple shock from grapple head.
4. Install new grapple shock in grapple head.
5. Install cap screw and nut.
6. Install upper pin, retaining pin, and cotter pin.

Brake Pedal Adjustment



TX1019903-UN: Pedal Clearance Adjustment Screw

LEGEND:

- 1 - Pedal Stop Cap Screw
- 2 - Brake Pedal Clearance

1. Adjust pedal stop cap screw (1) until correct brake pedal clearance (2) is achieved.

Item	Measurement	Specification
Brake Pedal To Brake Valve Plunger	Clearance	0.5—0.13 mm 0.020—0.050 in.

2. Tighten lock nut.

MD46667,0000254-19-20070418