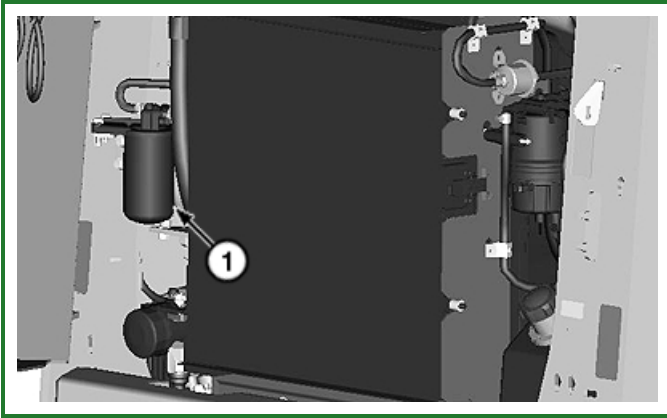


Replace Final Fuel Filter



TX1205971-UN: Final Fuel Filter

LEGEND:

1 - Final Fuel Filter

NOTE:

Perform this service at required interval when operating in normal conditions. When operating in dry, dusty conditions, it may be necessary to replace final fuel filter more often.

1. Park machine on a level surface.
2. Engage park brake and stop engine.
3. Open rear service door.
4. Clean area around final fuel filter (1).

5.

NOTE:

Some fuel will be present in final fuel filter housing.

Place suitable container under final fuel filter. Rotate final fuel filter counterclockwise and remove from mounting base. Dispose of waste properly.

6. Clean filter mounting base.

7. **IMPORTANT:**

DO NOT prefill fuel filters. Debris in unfiltered fuel will damage fuel system components.

Only lubricate filter seal with diesel fuel before installing.

Install new final fuel filter onto mounting base. Rotate filter housing clockwise by hand. Tighten 1 turn after seal contacts mounting base.

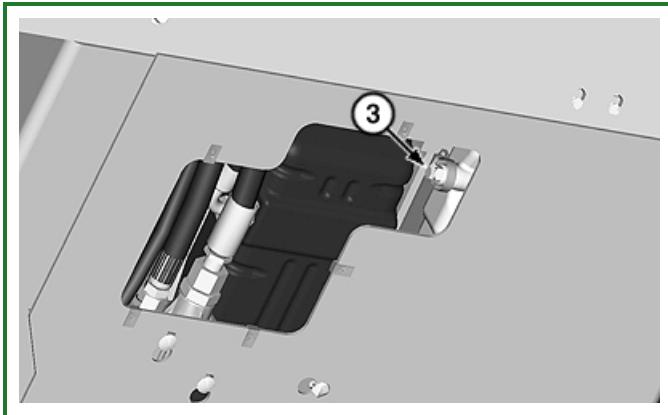
8. Bleed fuel system. See Bleed Fuel System. (Section 4-1.)

9. Close rear service door.

Drain Water and Sediment From Fuel Tank



TX1205978-UN: Service Panel (shown under machine)



TX1205980-UN: Fuel Tank Drain Valve

LEGEND:

1 - Service Panel

2 - Cap Screw (5 used)

3 - Drain Valve

1. Park machine on a level surface.
2. Engage park brake and stop engine.
3. Raise and block machine. See Raising and Blocking Machine. (Section 3-2.)
4. Remove cap screws (2) and service panel (1) from under machine.
5. Place a suitable container under drain valve (3) of fuel tank.
6. Loosen drain valve. Drain water and sediment into a suitable container until clean fuel emerges. Dispose of waste properly.
7. Close drain valve.
8. Install service panel and cap screws.

CN93077,000071D-19-20151123