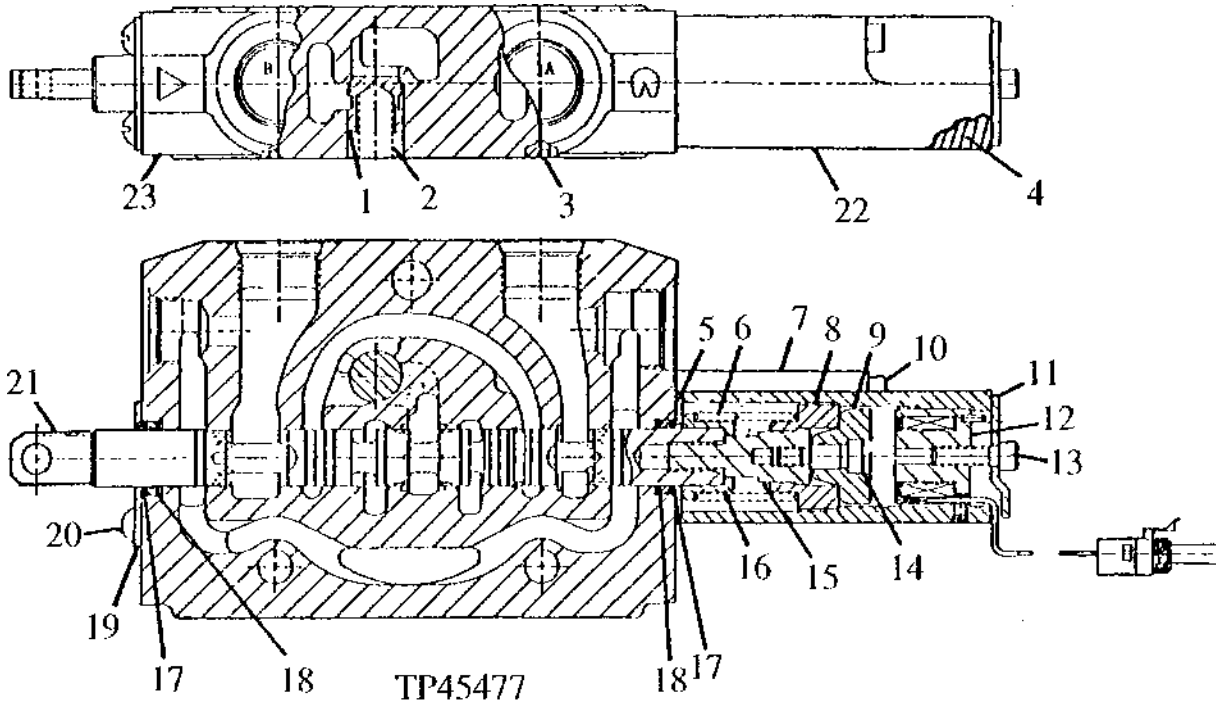


Control Valve (BUCKET SECTION W/RTD) (802200 -)

TP45477 A.1

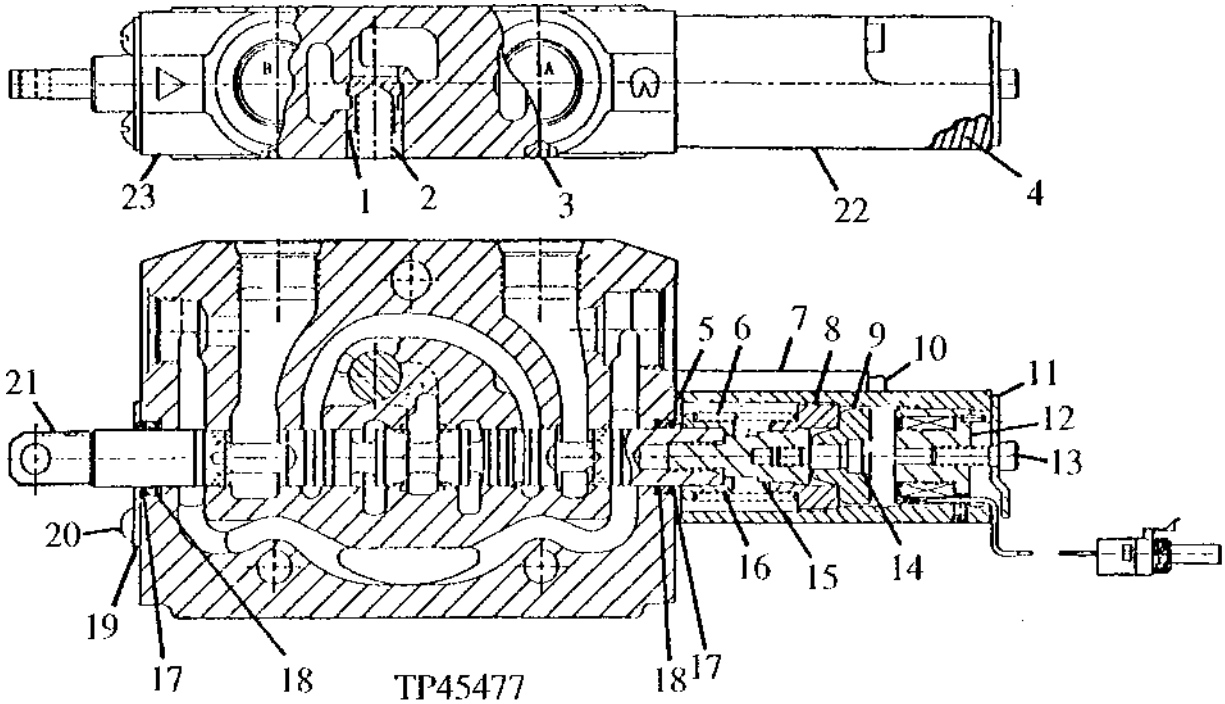


Key	Part No.	Part Name	Qty.	Serial No.	300D	310D	315D	Remarks
1	T81538	Poppet	1		XX			
2	T81539	Spring	1		XX			
3	T118685	O-Ring	1		XX			(BETWEEN SECTION)
4	T118799	Filter	1		XX			
5	T152377	Retainer	1		XX			
6	T118683	Spring	1		XX			
7	T118699	Cap	1		XX			
8	T118700	Plate	1		XX			
9	T105564	Piston	1		XX			
10	Screw	1		XX			
11	T118705	Cap	1		XX			
12	AT169555	Magnetic Pickup Tool	1		XX			(12 VOLT)
13	19H3554	Screw	1		XX			1/4" X 0.880"
14	T118704	Screw	1		XX			
15	T118702	End	1		XX			
16	T81540	Retainer	1		XX			
17	Seal	1		XX			(K)
18	Seal	2		XX			(K)
19	T81524	Plate	1		XX			
20	21H1352	Screw	2		XX			1/4" X 3/8"
21	Spool Valve	1		XX			
22	AT168731	Cap	1		XX			POSITIONER
23	AT164665	Spool Valve	1		XX			

(K) AT168675 KIT, SPOOL SEAL (HUSCO)

Control Valve (BUCKET SECTION W/RTD) (850000 -)

TP45477 A.1



Key	Part No.	Part Name	Qty.	Serial No.	300D	310D	315D	Remarks
1	T81538	Poppet	1			X		
2	T81539	Spring	1			X		
3	T118685	O-Ring	1			X		(BETWEEN SECTION)
4	T118799	Filter	1			X		
5	T152377	Retainer	1			X		
6	T118683	Spring	1			X		
7	T118699	Cap	1			X		
8	T118700	Plate	1			X		
9	T105564	Piston	1			X		
10	Screw	1			X		
11	T118705	Cap	1			X		
12	AT169555	Magnetic Pickup Tool	1			X		(12 VOLT)
13	19H3554	Screw	1			X		1/4" X 0.880"
14	T118704	Screw	1			X		
15	T118702	End	1			X		
16	T81540	Retainer	1			X		
17	Seal	1			X		(K)
18	Seal	2			X		(K)
19	T81524	Plate	1			X		
20	21H1352	Screw	2			X		1/4" X 3/8"
21	Spool Valve	1			X		
22	AT168731	Cap	1			X		POSITIONER
23	AT164665	Spool Valve	1			X		

(K) AT168675 KIT, SPOOL SEAL (HUSCO)