

CODES USED IN "REMARKS" COLUMN FOR MAINTENANCE CATALOGS
 CODES UTILISES DANS LA COLONNE "REMARQUES" DES CATALOGUES DE PIECES D'USURE
 KODE-ZEICHEN IN DER SPALTE "BEMERKUNGEN" FUER VERSCHLEISSTEILE-KATALOGE
 CODICI USATI NELLA COLONNA "REMARKS" (NOTE) PER I CATALOGHI DI MANUTENZIONE
 CODIGOS UTILIZADOS EN LA COLUMNA "NOTAS" PARA CATALOGO DE MANTENIMIENTO

ENGLISH

APPL	THIS APPLICATION ONLY
AR	AS REQUIRED
FOR	USE WITH
FRONT	FRONT
ID	INSIDE DIAMETER
INCL KEYS	INCLUDING KEYS
KIT	KIT
LGTH	LENGTH
LH	LEFT- HAND
MARKED	MARKED
MF	MAKE FROM
NOT	DO NOT USE FOR
NSEP	NOT SUPPLIED SEPARATELY
OD	OUTSIDE DIAMETER
ONLY	ONLY USABLE FOR
OR	OR
ORD	ORDER
ORD W/	ALSO ORDER
PACKG	PACKET OF
REAR	REAR
RH	RIGHT- HAND
SUB FOR	SUBSTITUTES FOR
TK	THICKNESS
W/	WITH
W/O	WITHOUT

This catalog applies to the following tractor models:

**6000 Series
European**

cyl.	Models
4	6100, 6200, 6300, 6400 SE6100, SE6200, SE6300, SE6400
6	6506, 6600, 6800, 6900

**6000 Series
North American**

cyl.	Models
4	6200, 6300, 6400 6200L, 6300L, 6400L, 6500L 6300, 6400, 6500

**6010 Series
European**

cyl.	Models
4	6010, 6110, 6210, 6310, 6410 SE6010, SE6110, SE6210, SE6310, SE6410 6205
6	6510, 6610, 6810, 6910, 6910S SE6510, SE6610 6505

**6010 Series
North American**

cyl.	Models
4	6110, 6210, 6310, 6410 6110L, 6210L, 6310L, 6410L, 6510L 6310S, 6410S, 6510S 6405
6	6605

**6020 Series
European**

cyl.	Models
4	6020, 6120, 6220, 6320, 6420, 6420S SE6020, SE6120, SE6220, SE6320, SE6420 6215
6	6520, 6620, 6820, 6920, 6920S SE6520, SE6620 6615

**6020 Series
North American**

cyl.	Models
4	6120, 6220, 6320, 6420 6120L, 6220L, 6320L, 6420L, 6520L 6215, 6415
6	6615, 6715

SECTION INDEX

- 10 - GENERAL INFORMATION
- 15 - FILTER
- 20 - ENGINE
- 40 - ELECTRICAL COMPONENTS
- 50 - TRANSMISSION
- 60 - BRAKES
- 70 - HYDRAULICS
- 80 - FRONT AXLES
- 90 - OPERATOR'S STATION
- 180 - NUMERICAL INDEX

ALPHABETICAL INDEX

	PAGE		PAGE
A			
ADAPTOR KIT FOR LEAK-OFF OIL PARTS	70-18	BELT, DRIVE (FOR EUROPEAN 6020 SERIES TRACTOR VERSION).....	20-15
AIR COMFORT SEAT MSG95/SUPER COMFORT SEAT DS85, REPAIR KITS	90-74	BELT, DRIVE (FOR EUROPEAN 6020 SERIES TRACTOR VERSION).....	20-17
AIR COMFORT SEAT MSG95, SUSPENSION, REPAIR KITS	90-64	BELT, DRIVE (FOR EUROPEAN 6020 SERIES TRACTOR VERSION).....	20-18
AIR COMFORT SEAT MSG95, SUSPENSION, REPAIR KITS	90-66	BELT, DRIVE (FOR NORTH AMERICAN 6000 SERIES TRACTOR VERSION).....	20-6
AIR COMFORT SEAT MSG95, SUSPENSION, REPAIR KITS	90-68	BELT, DRIVE (FOR NORTH AMERICAN 6000 SERIES TRACTOR VERSION).....	20-7
AIR COMFORT SEAT MSG95, SUSPENSION, REPAIR KITS	90-70	BELT, SAFETY, COMFORT SEAT MSG83.....	90-21
AIR COMFORT SEAT MSG95, SUSPENSION, REPAIR KITS	90-72	BELT, SAFETY, COMFORT SEAT MSG85, MSG95.....	90-22
AIR COMFORT SEAT MSG95,REPAIR KITS FOR SUPER COMFORT SEAT DS85.....	90-74	BELT, SAFETY, COMFORT SEAT MSG85, MSG95.....	90-24
AIR COMFORT SEAT MSG95,REPAIR KITS FOR SUPER COMFORT SEAT DS85.....	90-76	BELT, SAFETY, COMFORT SEAT MSG85, MSG95.....	90-26
ALTERNATOR	40-8	BELT,DRIVE (FOR NORTH AMERICAN 6010 SERIES TRACTOR VERSION).....	20-11
ALTERNATOR	40-9	BELT,DRIVE (FOR NORTH AMERICAN 6020 SERIES TRACTOR VERSION).....	20-19
ALTERNATOR	40-10	BRAKE DISK	60-2
AXLE, FRONT/ TIE ROD (LOW VERSION) (FOR NORTH AMERICAN TRACTOR).....	80-38	BRAKE DISK	60-3
AXLE, FRONT/ TIE ROD (LOW VERSION) (FOR NORTH AMERICAN TRACTOR).....	80-40	BRAKE DISK	60-5
AXLE, FRONT/TIE RODS (FOR NORTH AMERICAN TRACTOR VERSION).....	80-10	BRAKE DISK (EUROPEAN VERSION, PREMIUM AND SE VERSIONS)	60-7
AXLE, REAR / BEARING.....	50-2	BRAKE DISK (SE VERSION)	60-4
AXLE, REAR / BEARING.....	50-3	BRAKE DISKS (ONLY FOR NORTH AMERICAN TRACTOR VERSION).....	60-6
AXLE, REAR / BEARING.....	50-4	BULB OVERVIEW	40-12
AXLE, REAR / BEARING.....	50-5	BULB OVERVIEW	40-14
AXLE, REAR / BEARING.....	50-6	BULB OVERVIEW	40-16
AXLE, REAR / BEARING.....	50-7		
AXLE, REAR / BEARING.....	50-8	C	
B			
BEARING, REAR AXLE.....	50-2	CAB GLASS AND DOOR	90-2
BEARING, REAR AXLE.....	50-3	CAB GLASS AND DOOR	90-4
BEARING, REAR AXLE.....	50-4	COMFORT SEAT DS44-06, DS44-07, SEAT CUSHION	90-28
BEARING, REAR AXLE.....	50-5	COMFORT SEAT MSG44-A1, REPAIR KIT	90-30
BEARING, REAR AXLE.....	50-6	COMFORT SEAT MSG44-A1, REPAIR KIT	90-32
BEARING, REAR AXLE.....	50-7	COMFORT SEAT MSG44-A1, REPAIR KIT	90-34
BEARING, REAR AXLE.....	50-8	COMFORT SEAT, SUPER, MSG83	90-36
BELT, DRIVE (FOR EUROPEAN 6000 SERIES TRACTOR VERSION).....	20-2	COMFORT SEAT, SUPER, MSG83.....	90-38
BELT, DRIVE (FOR EUROPEAN 6000 SERIES TRACTOR VERSION).....	20-3	COMFORT SEAT, SUPER, MSG83.....	90-40
BELT, DRIVE (FOR EUROPEAN 6000 SERIES TRACTOR VERSION).....	20-4	CONVERSION KIT FOR HYDRAULIC PUMP 25/40 CM3 TO 25/41 CM3	70-6
BELT, DRIVE (FOR EUROPEAN 6000 SERIES TRACTOR VERSION).....	20-5	COOLANT HOSES / RADIATOR / FAN SHROUD	20-28
BELT, DRIVE (FOR EUROPEAN 6010 SERIES TRACTOR VERSION).....	20-8	COOLANT HOSES / RADIATOR / FAN SHROUD (FOR EUROPEAN TRACTOR VERSION).....	20-30
BELT, DRIVE (FOR EUROPEAN 6010 SERIES TRACTOR VERSION).....	20-9	COOLANT HOSES / RADIATOR / FAN SHROUD (FOR EUROPEAN TRACTOR VERSION).....	20-34
BELT, DRIVE (FOR EUROPEAN 6010 SERIES TRACTOR VERSION).....	20-10	COOLANT HOSES / RADIATOR / FAN SHROUD (FOR EUROPEAN TRACTOR VERSION).....	20-36
BELT, DRIVE (FOR EUROPEAN 6020 SERIES TRACTOR VERSION).....	20-12	COOLANT HOSES / RADIATOR / FAN SHROUD (FOR EUROPEAN TRACTOR VERSION).....	20-38
BELT, DRIVE (FOR EUROPEAN 6020 SERIES TRACTOR VERSION).....	20-13	COOLANT HOSES / RADIATOR / FAN SHROUD (FOR NORTH AMERICAN TRACTOR VERSION)	20-32
BELT, DRIVE (FOR EUROPEAN 6020 SERIES TRACTOR VERSION).....	20-14	COOLANT HOSES / RADIATOR / FAN SHROUD (FOR NORTH AMERICAN TRACTOR VERSION)	20-40
		COOLANT HOSES / RADIATOR / FAN SHROUD (FOR NORTH AMERICAN TRACTOR VERSION)	20-42
		COOLANT PUMP WITH ALUMINIUM HOUSING	20-24
		COOLANT PUMP WITH CAST IRON HOUSING	20-25
		COUPLERS, QUICK DISCONNECT (CLASSIC)	70-13
		COUPLERS, QUICK DISCONNECT (CLASSIC)	70-14
		COUPLERS, QUICK DISCONNECT (DELUXE)	70-16
		COUPLERS, QUICK DISCONNECT (STANDARD)	70-15
		CUSHION, SEAT	90-29

ALPHABETICAL INDEX - CONTINUED

	PAGE		PAGE
CUSHION, SEAT, COMFORT SEAT DS44-06, DS44-07	90-28	DUST PROTECTION, QUICK COUPLERS (STAND.) LEAK-OFF-OIL PARTS, SELECT. CONTR. VALVE	70-36
CYLINDER, GAS OPERATED	90-1	DUST PROTECTION, QUICK COUPLERS (DELUXE) LEAK-OFF-OIL PARTS, SCV 1 + 2	70-22
D			
DIODES AND FUSES	40-5	DUST PROTECTION, QUICK COUPLERS (DELUXE) LEAK-OFF-OIL PARTS, SCV 1 + 2	70-24
DIODES AND FUSES	40-6	DUST PROTECTION, QUICK COUPLERS (DELUXE) LEAK-OFF-OIL PARTS, SCV 1 + 2	70-38
DIODES AND FUSES	40-7	DUST PROTECTION, QUICK COUPLERS (DELUXE) LEAK-OFF-OIL PARTS, SCV 3 + 4	70-26
DISCONNECT COUPLERS, QUICK (DELUXE)	70-16	DUST PROTECTION, QUICK COUPLERS (DELUXE) LEAK-OFF-OIL PARTS, SCV 3 + 4	70-28
DISK, BRAKE	60-2	DUST PROTECTION, QUICK COUPLERS (STANDARD) LEAK-OFF-OIL PARTS, SCV 1 + 2	70-32
DISK, BRAKE	60-3	DUST PROTECTION, QUICK COUPLERS (STANDARD) LEAK-OFF-OIL PARTS, SCV 3 + 4	70-30
DISK, BRAKE	60-5	E	
DISK, BRAKE (EUROPEAN VERSION, PREMIUM AND SE VERSIONS)	60-7	EXTENSION, FRONT AXLE, TIE RODS (FOR EUROPEAN TRACTOR VERSION)	80-12
DISK, BRAKE (SE VERSION)	60-4	EXTENSION, FRONT AXLE, TIE RODS (FOR NORTH AMERICAN TRACTOR VERSION)	80-14
DISKS, BRAKE (ONLY FOR NORTH AMERICAN TRACTOR VERSION)	60-6	EXTENSION, FRONT AXLE, TIE RODS (FOR NORTH AMERICAN TRACTOR VERSION)	80-16
DOOR, CAB GLASS	90-2	F	
DOOR, CAB GLASS	90-4	FAN SHROUD / COOLANT HOSES / RADIATOR	20-28
DRIVE BELT (FOR EUROPEAN 6000 SERIES TRACTOR VERSION)	20-2	FAN SHROUD / COOLANT HOSES / RADIATOR (FOR EUROPEAN TRACTOR VERSION)	20-30
DRIVE BELT (FOR EUROPEAN 6000 SERIES TRACTOR VERSION)	20-3	FAN SHROUD / COOLANT HOSES / RADIATOR (FOR EUROPEAN TRACTOR VERSION)	20-34
DRIVE BELT (FOR EUROPEAN 6000 SERIES TRACTOR VERSION)	20-4	FAN SHROUD / COOLANT HOSES / RADIATOR (FOR EUROPEAN TRACTOR VERSION)	20-36
DRIVE BELT (FOR EUROPEAN 6000 SERIES TRACTOR VERSION)	20-5	FAN SHROUD / COOLANT HOSES / RADIATOR (FOR EUROPEAN TRACTOR VERSION)	20-38
DRIVE BELT (FOR EUROPEAN 6010 SERIES TRACTOR VERSION)	20-8	FAN SHROUD / COOLANT HOSES / RADIATOR (FOR NORTH AMERICAN TRACTOR VERSION)	20-32
DRIVE BELT (FOR EUROPEAN 6010 SERIES TRACTOR VERSION)	20-9	FAN SHROUD / COOLANT HOSES / RADIATOR (FOR NORTH AMERICAN TRACTOR VERSION)	20-40
DRIVE BELT (FOR EUROPEAN 6010 SERIES TRACTOR VERSION)	20-10	FAN SHROUD / COOLANT HOSES / RADIATOR (FOR NORTH AMERICAN TRACTOR VERSION)	20-42
DRIVE BELT (FOR EUROPEAN 6020 SERIES TRACTOR VERSION)	20-12	FILTER OVERVIEW AND FUEL PUMP	15-2
DRIVE BELT (FOR EUROPEAN 6020 SERIES TRACTOR VERSION)	20-13	FILTER OVERVIEW AND FUEL PUMP	15-4
DRIVE BELT (FOR EUROPEAN 6020 SERIES TRACTOR VERSION)	20-14	FILTER OVERVIEW AND FUEL PUMP	15-6
DRIVE BELT (FOR EUROPEAN 6020 SERIES TRACTOR VERSION)	20-15	FILTER OVERVIEW AND FUEL PUMP	15-8
DRIVE BELT (FOR EUROPEAN 6020 SERIES TRACTOR VERSION)	20-17	FILTER OVERVIEW AND FUEL PUMP	15-10
DRIVE BELT (FOR EUROPEAN 6020 SERIES TRACTOR VERSION)	20-18	FRONT AXLE, TIE ROD (LOW VERSION) (FOR NORTH AMERICAN TRACTOR)	80-38
DRIVE BELT (FOR NORTH AMERICAN 6000 SERIES TRACTOR VERSION)	20-6	FRONT AXLE, TIE ROD (LOW VERSION) (FOR NORTH AMERICAN TRACTOR)	80-40
DRIVE BELT (FOR NORTH AMERICAN 6000 SERIES TRACTOR VERSION)	20-7	FRONT AXLE, TIE RODS (FOR EUROPEAN TRACTOR VERSION)	80-4
DRIVE BELT (FOR NORTH AMERICAN 6010 SERIES TRACTOR VERSION)	20-11	FRONT AXLE, TIE RODS (FOR EUROPEAN TRACTOR VERSION)	80-6
DRIVE BELT (FOR NORTH AMERICAN 6020 SERIES TRACTOR VERSION)	20-19	FRONT AXLE, TIE RODS (FOR EUROPEAN TRACTOR VERSION)	80-8
DS44-06 AND DS44-07, COMFORT SEAT, SEAT CUSHION	90-28	FRONT AXLE, TIE RODS (FOR NORTH AMERICAN TRACTOR VERSION)	80-10
DS85, SUPER COMFORT SEAT, SUSPENSION, REPAIR KITS	90-42	FRONT AXLE, TIE RODS AND EXTENSION (FOR EUROPEAN TRACTOR VERSION)	80-12
DS85, SUPER COMFORT SEAT, SUSPENSION, REPAIR KITS	90-44	FRONT AXLE, TIE RODS AND EXTENSION (FOR NORTH AMERICAN TRACTOR VERSION)	80-14
DS85, SUPER COMFORT SEAT, SUSPENSION, REPAIR KITS	90-46		
DUST PROTECTION HOUSING FOR QUICK COUPLERS	70-34		
DUST PROTECTION, QUICK COUPLERS (DELUXE) LEAK-OFF-OIL PARTS, SELECT. CONTR. VALVE	70-20		

ALPHABETICAL INDEX - CONTINUED

	PAGE		PAGE
FRONT AXLE, TIE RODS AND EXTENSION (FOR NORTH AMERICAN TRACTOR VERSION).....	80-16	HYDRAULIC PUMP (25/41CM3).....	70-8
FUEL PUMP, FILTER OVERVIEW.....	15-2	HYDRAULIC PUMP (25CM3).....	70-2
FUEL PUMP, FILTER OVERVIEW.....	15-4	HYDRAULIC PUMP (40CM3).....	70-4
FUEL PUMP, FILTER OVERVIEW.....	15-6	HYDRAULIC PUMP 23/27/28CM3 (FOR EUROPEAN TRACTOR VERSION).....	70-10
FUEL PUMP, FILTER OVERVIEW.....	15-8	HYDRAULIC PUMPS 27CM3 (FOR NORTH AMERICAN TRACTOR VERSION).....	70-12
FUEL PUMP, FILTER OVERVIEW.....	15-10		
FUSES AND DIODES.....	40-5	I	
FUSES AND DIODES.....	40-6	INSTRUCTIONAL SEAT AND SEAT-BELT.....	90-86
FUSES AND DIODES.....	40-7		
G		K	
GAS OPERATED CYLINDER.....	90-1	KIT, CONVERSION FOR HYDRAULIC PUMP 25/40 CM3 TO 25/41 CM3.....	70-6
		KNUCKLE HOUSING, MFWD (APL2025) (FOR NORTH AMERICAN TRACTOR).....	80-60
H		KNUCKLE HOUSING, MFWD (APL2035 / AS2035) (FOR NORTH AMERICAN TRACTOR).....	80-82
HOUSING KNUCKLE, MFWD-AXLE (APL2045 WITHOUT TLS) (FOR EUROPEAN TRACTOR).....	80-90	KNUCKLE HOUSING, MFWD (APL2035 / AS2035) (FOR NORTH AMERICAN TRACTOR).....	80-84
HOUSING KNUCKLE, MFWD-AXLE 045JD/045JDS (FOR EUROPEAN TRACTOR VERSION).....	80-130	KNUCKLE HOUSING, MFWD (APL2060 / AS2060) (FOR EUROPEAN TRACTOR VERSION).....	80-100
HOUSING KNUCKLE, MFWD-AXLE 730 (FOR NORTH AMERICAN TRACTOR VERSION).....	80-112	KNUCKLE HOUSING, MFWD (APL2060 / AS2060) (FOR EUROPEAN TRACTOR VERSION).....	80-102
HOUSING KNUCKLE, MFWD-AXLE 730(FOR NORTH AMERICAN TRACTOR VERSION).....	80-108	KNUCKLE HOUSING, MFWD (APL2060 / AS2060) (FOR EUROPEAN TRACTOR VERSION).....	80-104
HOUSING KNUCKLE, MFWD-AXLE 733(FOR NORTH AMERICAN TRACTOR VERSION).....	80-116	KNUCKLE HOUSING, MFWD (FOR EUROPEAN TRACTOR VERSION).....	80-42
HOUSING KNUCKLE, MFWD-AXLE 733(FOR NORTH AMERICAN TRACTOR VERSION).....	80-118	KNUCKLE HOUSING, MFWD (FOR EUROPEAN TRACTOR VERSION).....	80-44
HOUSING KNUCKLE, MFWD-AXLE 740 (FOR EUROPEAN TRACTOR VERSION).....	80-124	KNUCKLE HOUSING, MFWD (FOR EUROPEAN TRACTOR VERSION).....	80-46
HOUSING KNUCKLE, MFWD-AXLE 740 (WITH OR WITHOUT TLS) (FOR EUROPEAN TRACTOR).....	80-122	KNUCKLE HOUSING, MFWD (FOR EUROPEAN TRACTOR VERSION).....	80-48
HOUSING KNUCKLE, MFWD-AXLE 745/750(FOR EUROPEAN TRACTOR VERSION).....	80-128	KNUCKLE HOUSING, MFWD-AXLE (APL2025 / AS2025) (FOR EUROPEAN TRACTOR).....	80-62
HOUSING, DUST PROTECTION FOR QUICK COUPLERS.....	70-34	KNUCKLE HOUSING, MFWD-AXLE (APL2025/ AS2025) (FOR EUROPEAN TRACTOR VERSION).....	80-64
HOUSING, KNUCKLE, MFWD - AXLE (AS2035 WITH OR WITHOUT TLS).....	80-88	KNUCKLE HOUSING, MFWD-AXLE (APL2025/ AS 2025) (FOR NORTH AMERICAN TRACTOR).....	80-66
HOUSING, KNUCKLE, MFWD - AXLE (730/733) (FOR NORTH AMERICAN TRACTOR VERSION).....	80-120	KNUCKLE HOUSING, MFWD-AXLE (APL2025/ AS 2025) (FOR NORTH AMERICAN TRACTOR).....	80-68
HOUSING, KNUCKLE, MFWD-AXLE 740 (FOR NORTH AMERICAN TRACTOR).....	80-126	KNUCKLE HOUSING, MFWD-AXLE (APL2025/ AS 2025) (FOR NORTH AMERICAN TRACTOR).....	80-70
HOUSING, MFWD KNUCKLE (APL2025) (FOR NORTH AMERICAN TRACTOR).....	80-60	KNUCKLE HOUSING, MFWD-AXLE (APL2025/ AS 2025) (FOR EUROPEAN TRACTOR).....	80-74
HOUSING, MFWD KNUCKLE (APL2035 / AS2035) (FOR NORTH AMERICAN TRACTOR).....	80-82	KNUCKLE HOUSING, MFWD-AXLE (APL2045 WITHOUT TLS) (EUROPEAN TRACTOR).....	80-90
HOUSING, MFWD KNUCKLE (APL2035 / AS2035) (FOR NORTH AMERICAN TRACTOR).....	80-84	KNUCKLE HOUSING, MFWD-AXLE (AS2025) (FOR NORTH AMERICAN TRACTOR).....	80-58
HOUSING, MFWD KNUCKLE (AS2045) (FOR EUROPEAN TRACTOR VERSION).....	80-92	KNUCKLE HOUSING, MFWD-AXLE (AS2035 WITH OR WITHOUT TLS).....	80-88
HOUSING, MFWD KNUCKLE (AS2045) (FOR EUROPEAN TRACTOR VERSION).....	80-94	KNUCKLE HOUSING, MFWD-AXLE (AS2045 WITH TLS) (FOR EUROPEAN TRACTOR).....	80-98
HOUSING, MFWD KNUCKLE (FOR NORTH AMERICAN TRACTOR).....	80-52	KNUCKLE HOUSING, MFWD-AXLE (AS2045) (FOR EUROPEAN TRACTOR VERSION).....	80-92
HOUSING, MFWD-AXLE NARROW, KNUCKLE (AS2035) (EUROPEAN TRACTOR VERSION).....	80-72	KNUCKLE HOUSING, MFWD-AXLE (AS2045) (FOR EUROPEAN TRACTOR VERSION).....	80-94
HOUSING, MFWD-AXLE NARROW, KNUCKLE (AS2035) (FOR NORTH AMERICAN TRACTOR).....	80-86	KNUCKLE HOUSING, MFWD-AXLE (FOR EUROPEAN TRACTOR).....	80-50
HOUSING, MFWD-AXLE, KNUCKLE (APL2025 /AS 2025) (FOR NORTH AMERICAN TRACTOR).....	80-66	KNUCKLE HOUSING, MFWD-AXLE (FOR NORTH AMERICAN TRACTOR).....	80-52
HOUSING, MFWD-AXLE, KNUCKLE (APL2025 /AS 2025) (FOR NORTH AMERICAN TRACTOR).....	80-68		
HOUSING, MFWD-AXLE, KNUCKLE (APL2025 /AS 2025) (FOR NORTH AMERICAN TRACTOR).....	80-70		

ALPHABETICAL INDEX - CONTINUED

PAGE	PAGE
<p> KNUCKLE HOUSING, MFWD-AXLE (730/733)(FOR NORTH AMERICAN TRACTOR VERSION) 80-120 KNUCKLE HOUSING, MFWD-AXLE AS2035, WITH OR WITHOUT TLS (FOR EUROPEAN TRACTOR) 80-78 KNUCKLE HOUSING, MFWD-AXLE AS2045 (WITH OR WITHOUT TLS) (EUROPEAN TRACTOR) 80-96 KNUCKLE HOUSING, MFWD-AXLE NARROW (AS2035) (EUROPEAN TRACTOR VERSION) 80-72 KNUCKLE HOUSING, MFWD-AXLE NARROW (AS2035) (FOR EUROPEAN TRACTOR)..... 80-76 KNUCKLE HOUSING, MFWD-AXLE NARROW (AS2035) (FOR EUROPEAN TRACTOR)..... 80-80 KNUCKLE HOUSING, MFWD-AXLE NARROW (AS2035) (FOR NORTH AMERICAN TRACTOR) 80-86 KNUCKLE HOUSING, MFWD-AXLE 045JD/045JDS (FOR EUROPEAN TRACTOR VERSION) 80-130 KNUCKLE HOUSING, MFWD-AXLE 730 (WITH OR WITHOUT TLS) (FOR EUROPEAN TRACTOR) 80-110 KNUCKLE HOUSING, MFWD-AXLE 730 (WITH OR WITHOUT TLS) (FOR EUROPEAN TRACTOR) 80-106 KNUCKLE HOUSING, MFWD-AXLE 730(FOR NORTH AMERICAN TRACTOR VERSION) 80-108 KNUCKLE HOUSING, MFWD-AXLE 730(FOR NORTH AMERICAN TRACTOR VERSION) 80-112 KNUCKLE HOUSING, MFWD-AXLE 733 (WITH OR WITHOUT TLS) (FOR EUROPEAN TRACTOR) 80-114 KNUCKLE HOUSING, MFWD-AXLE 733(FOR NORTH AMERICAN TRACTOR VERSION) 80-116 KNUCKLE HOUSING, MFWD-AXLE 733(FOR NORTH AMERICAN TRACTOR VERSION) 80-118 KNUCKLE HOUSING, MFWD-AXLE 740 (FOR EUROPEAN TRACTOR VERSION) 80-124 KNUCKLE HOUSING, MFWD-AXLE 740 (WITH OR WITHOUT TLS) (FOR EUROPEAN TRACTOR) 80-122 KNUCKLE HOUSING, MFWD-AXLE 740(FOR NORTH AMERICAN TRACTOR) 80-126 KNUCKLE HOUSING, MFWD-AXLE 745/750(FOR EUROPEAN TRACTOR VERSION) 80-128 KNUCKLE HOUSING, MFWD-AXLE,(AS2025) (FOR EUROPEAN TRACTOR) 80-54 KNUCKLE HOUSING, MFWD-AXLE,(AS2025) (FOR EUROPEAN TRACTOR) 80-56 </p> <p style="text-align: center;">L</p> <p> LEAK-OFF-OIL PARTS ADAPTION-KIT 70-18 </p> <p style="text-align: center;">M</p> <p> MFWD KNUCKLE HOUSING (APL2025)(FOR NORTH AMERICAN TRACTOR) 80-60 MFWD KNUCKLE HOUSING (APL2035 / AS2035) (FOR NORTH AMERICAN TRACTOR) 80-82 MFWD KNUCKLE HOUSING (APL2035 / AS2035) (FOR NORTH AMERICAN TRACTOR) 80-84 MFWD KNUCKLE HOUSING (APL2060 / AS2060) (FOR EUROPEAN TRACTOR VERSION) 80-100 MFWD KNUCKLE HOUSING (APL2060 / AS2060) (FOR EUROPEAN TRACTOR VERSION) 80-102 MFWD KNUCKLE HOUSING (APL2060 / AS2060) (FOR EUROPEAN TRACTOR VERSION) 80-104 MFWD KNUCKLE HOUSING (FOR EUROPEAN TRACTOR VERSION) 80-42 MFWD KNUCKLE HOUSING (FOR EUROPEAN TRACTOR VERSION) 80-44 </p>	<p> MFWD KNUCKLE HOUSING (FOR EUROPEAN TRACTOR VERSION) 80-46 MFWD KNUCKLE HOUSING (FOR EUROPEAN TRACTOR VERSION) 80-48 MFWD-AXLE (730/733), KNUCKLE HOUSING(FOR NORTH AMERICAN TRACTOR VERSION) 80-120 MFWD-AXLE APL2025, (WITHOUT TLS),TIE ROD (FOR EUROPEAN TRACTOR VERSION) 80-18 MFWD-AXLE AS2035, WITH OR WITHOUT TLS, KNUCKLE HOUSING (FOR EUROPEAN TRACTOR) 80-78 MFWD-AXLE AS2045, KNUCKLE HOUSING (WITH OR WITHOUT TLS) (EUROPEAN TRACTOR) 80-96 MFWD-AXLE NARROW, KNUCKLE HOUSING (AS2035) (EUROPEAN TRACTOR VERSION) 80-72 MFWD-AXLE NARROW, KNUCKLE HOUSING (AS2035) (FOR EUROPEAN TRACTOR) 80-76 MFWD-AXLE NARROW, KNUCKLE HOUSING (AS2035) (FOR NORTH AMERICAN TRACTOR) 80-86 MFWD-AXLE NARROW, TIE ROD (AS2035) (FOR EUROPEAN TRACTOR) 80-23 MFWD-AXLE 045JD/045JDS, KNUCKLE HOUSING (FOR EUROPEAN TRACTOR VERSION) 80-130 MFWD-AXLE 730, KNUCKLE HOUSING (WITH OR WITHOUT TLS) (FOR EUROPEAN TRACTOR) 80-106 MFWD-AXLE 730, KNUCKLE HOUSING (WITH OR WITHOUT TLS) (FOR EUROPEAN TRACTOR) 80-110 MFWD-AXLE 730, KNUCKLE HOUSING(FOR NORTH AMERICAN TRACTOR VERSION) 80-108 MFWD-AXLE 730, KNUCKLE HOUSING(FOR NORTH AMERICAN TRACTOR VERSION) 80-112 MFWD-AXLE 730, TIE ROD (FOR NORTH AMERICAN TRACTOR VERSION) 80-36 MFWD-AXLE 733, KNUCKLE HOUSING (WITH OR WITHOUT TLS) (FOR EUROPEAN TRACTOR) 80-114 MFWD-AXLE 733, KNUCKLE HOUSING(FOR NORTH AMERICAN TRACTOR VERSION) 80-116 MFWD-AXLE 733, KNUCKLE HOUSING(FOR NORTH AMERICAN TRACTOR VERSION) 80-118 MFWD-AXLE 740, KNUCKLE HOUSING (FOR EUROPEAN TRACTOR VERSION) 80-124 MFWD-AXLE 740, KNUCKLE HOUSING (WITH OR WITHOUT TLS) (FOR EUROPEAN TRACTOR) 80-122 MFWD-AXLE 740, KNUCKLE HOUSING FOR NORTH AMERICAN TRACTOR) 80-126 MFWD-AXLE 740, TIE ROD (FOR NORTH AMERICAN TRACTOR VERSION) 80-37 MFWD-AXLE 745/750, KNUCKLE HOUSING(FOR EUROPEAN TRACTOR VERSION) 80-128 MFWD-AXLE, KNUCKLE HOUSING (APL2025 / AS2025) (FOR EUROPEAN TRACTOR) 80-62 MFWD-AXLE, KNUCKLE HOUSING (APL2025/ AS2025) (FOR EUROPEAN TRACTOR VERSION) 80-64 MFWD-AXLE, KNUCKLE HOUSING (APL2025/ AS2025) (FOR NORTH AMERICAN TRACTOR) 80-66 MFWD-AXLE, KNUCKLE HOUSING (APL2025/ AS2025) (FOR NORTH AMERICAN TRACTOR) 80-68 MFWD-AXLE, KNUCKLE HOUSING (APL2025/ AS2025) (FOR NORTH AMERICAN TRACTOR) 80-70 MFWD-AXLE, KNUCKLE HOUSING (APL2025/2035 / AS2025/2035) (FOR EUROPEAN TRACTOR) 80-74 MFWD-AXLE, KNUCKLE HOUSING (APL2045 WITHOUT TLS) (EUROPEAN TRACTOR) 80-90 MFWD-AXLE, KNUCKLE HOUSING (AS2025) (FOR NORTH AMERICAN TRACTOR) 80-58 </p>

ALPHABETICAL INDEX - CONTINUED

	PAGE		PAGE
MFWD-AXLE, KNUCKLE HOUSING (AS2035 WITH OR WITHOUT TLS)	80-88	MSG95, AIR COMFORT SEAT, SUSPENSION, REPAIR KITS	90-68
MFWD-AXLE, KNUCKLE HOUSING (AS2045 WITH TLS) (FOR EUROPEAN TRACTOR)	80-98	MSG95, AIR COMFORT SEAT, SUSPENSION, REPAIR KITS	90-70
MFWD-AXLE, KNUCKLE HOUSING (AS2045) (FOR EUROPEAN TRACTOR VERSION)	80-92	MSG95, AIR COMFORT SEAT, SUSPENSION, REPAIR KITS	90-72
MFWD-AXLE, KNUCKLE HOUSING (AS2045) (FOR EUROPEAN TRACTOR VERSION)	80-94	MSG95, SUPER COMFORT SEAT (WITH LATERAL SUSPENSION)	90-14
MFWD-AXLE, KNUCKLE HOUSING (FOR NORTH AMERICAN TRACTOR)	80-52	MSG95, SUPER COMFORT SEAT (WITH LATERAL SUSPENSION)	90-16
MFWD-AXLE, KNUCKLE HOUSING(AS2025) (FOR EUROPEAN TRACTOR)	80-56	MSG95, SUPER COMFORT SEAT (WITH LATERAL SUSPENSION)	90-18
MFWD-AXLE, KNUCKLE HOUSING(AS2025) (FOR EUROPEAN TRACTOR)	80-54	MSG95, SUPER COMFORT SEAT, SUSPENSION, REPAIR KITS	90-54
MFWD-AXLE, KNUCKLE HOUSING(FOR EUROPEAN TRACTOR)	80-50	MSG95, SUPER COMFORT SEAT, SUSPENSION, REPAIR KITS	90-56
MFWD-AXLE, TIE ROD	80-2	MSG95, SUPER COMFORT SEAT, SUSPENSION, REPAIR KITS	90-58
MFWD-AXLE, TIE ROD	80-19	MSG95, SUPER COMFORT SEAT, SUSPENSION, REPAIR KITS	90-60
MFWD-AXLE, TIE ROD	80-20	MSG95, SUPER COMFORT SEAT, SUSPENSION, REPAIR KITS	90-62
MFWD-AXLE, TIE ROD (APL2025/2035 WITHOUT TLS) (FOR NORTH AMERICAN TRACTOR)	80-27		
MFWD-AXLE, TIE ROD (APL2025/2035 WITHOUT TLS)(FOR NORTH AMERICAN TRACTOR)	80-26	N	
MFWD-AXLE, TIE ROD (APL2045 / AS2045) (FOR EUROPEAN TRACTOR)	80-30	NARROW MFWD-AXLE, TIE ROD (AS2035) (FOR EUROPEAN TRACTOR)	80-23
MFWD-AXLE, TIE ROD (APL2060 WITHOUT TLS) (FOR EUROPEAN TRACTOR)	80-31	NARROW MFWD-AXLE, TIE ROD (AS2035) (FOR NORTH AMERICAN TRACTOR)	80-24
MFWD-AXLE, TIE ROD (FOR EUROPEAN TRACTOR VERSION)	80-1	NARROW MFWD-AXLE, TIE ROD (AS2035) (FOR NORTH AMERICAN TRACTOR)	80-25
MFWD-AXLE, TIE ROD (FOR EUROPEAN TRACTOR VERSION)	80-3		
MFWD-AXLE, TIE ROD (WITH OR WITHOUT TLS 045JD/045JDS) (FOR EUROPEAN TRACTORS)	80-34	O	
MFWD-AXLE, TIE ROD (WITH OR WITHOUT TLS 045JD/045JDS) (FOR EUROPEAN TRACTORS)	80-35	OUTSIDE MIRROR	90-6
MFWD-AXLE, TIE ROD, WITH OR WITHOUT TLS (APL2025/AS2025)	80-21	OVERVIEW, BULB	40-12
MFWD-AXLE, TIE ROD, WITH OR WITHOUT TLS (APL2025/AS2025) (EUROPEAN TRACTOR)	80-22	OVERVIEW, BULB	40-14
MFWD-AXLE, TIE ROD, WITH OR WITHOUT TLS (APL2060/AS2060) (EUROPEAN TRACTOR)	80-32	OVERVIEW, BULB	40-16
MFWD-AXLE, TIE ROD, WITH OR WITHOUT TLS (APL2060/AS2060) (EUROPEAN TRACTOR)	80-33		
MFWD-AXLE, TIE ROD (APL2025/2035 / AS2025 /2035) (FOR NORTH AMERICAN TRACTOR)	80-28	P	
MFWD-AXLE, TIE ROD (APL2025/2035 / AS2025 /2035) (FOR NORTH AMERICAN TRACTOR)	80-29	PUMP, COOLANT WITH ALUMINIUM HOUSING	20-24
MIRROR, OUTSIDE	90-6	PUMP, COOLANT WITH CAST IRON HOUSING	20-25
MOTOR, STARTING	40-2	PUMP, HYDRAULIC (25/41CM3)	70-8
MOTOR, STARTING	40-3	PUMP, HYDRAULIC (25CM3)	70-2
MOTOR, STARTING	40-4	PUMP, HYDRAULIC (40CM3)	70-4
MSG44-A1, COMFORT SEAT, REPAIR KIT	90-30	PUMP, HYDRAULIC 23/27/28CM3 (FOR EUROPEAN TRACTOR VERSION)	70-10
MSG44-A1, COMFORT SEAT, REPAIR KIT	90-32	PUMP, HYDRAULIC 27CM3 (FOR NORTH AMERICAN TRACTOR VERSION)	70-12
MSG44-A1, COMFORT SEAT, REPAIR KIT	90-34	PUMP, WATER	20-20
MSG83, SUPER COMFORT SEAT	90-36	PUMP, WATER	20-21
MSG83, SUPER COMFORT SEAT	90-38		
MSG83, SUPER COMFORT SEAT	90-40	Q	
MSG85, SUPER COMFORT SEAT, SUSPENSION, REPAIR KITS	90-48	QUICK COUPL.(DELUXE) LEAK-OFF-OIL PARTS, SCV 1 + 2, DUST PROTECTION	70-22
MSG85, SUPER COMFORT SEAT, SUSPENSION, REPAIR KITS	90-50	QUICK COUPL.(DELUXE) LEAK-OFF-OIL PARTS, SCV 1 + 2, DUST PROTECTION	70-24
MSG85, SUPER COMFORT SEAT, SUSPENSION, REPAIR KITS	90-52	QUICK COUPL.(DELUXE) LEAK-OFF-OIL PARTS, SCV 1 + 2, DUST PROTECTION	70-38
MSG95, AIR COMFORT SEAT, SUSPENSION, REPAIR KITS	90-64	QUICK COUPL.(DELUXE) LEAK-OFF-OIL PARTS, SCV 3 + 4, DUST PROTECTION	70-26
MSG95, AIR COMFORT SEAT, SUSPENSION, REPAIR KITS	90-66		

ALPHABETICAL INDEX - CONTINUED

	PAGE		PAGE
QUICK COUPL.(DELUXE) LEAK-OFF-OIL PARTS, SCV 3 + 4, DUST PROTECTION	70-28	REPAIR KITS FOR SUPER COMFORT SEAT MSG85 SUSPENSION.....	90-50
QUICK COUPL.(STAND.)LEAK-OFF-OIL PARTS, SCV 1 + 2, DUST PROTECTION	70-32	REPAIR KITS FOR SUPER COMFORT SEAT MSG85 SUSPENSION.....	90-52
QUICK COUPL.(STAND.)LEAK-OFF-OIL PARTS, SCV 3 + 4, DUST PROTECTION	70-30	REPAIR KITS FOR SUPER COMFORT SEAT MSG95 SUSPENSION.....	90-54
QUICK COUPLERS (DELUXE) LEAK-OFF-OIL PARTS,SELECT.CONTR.VALVE,DUST PROTECT.....	70-20	REPAIR KITS FOR SUPER COMFORT SEAT MSG95 SUSPENSION.....	90-56
QUICK COUPLERS (STANDARD) LEAK-OFF-OIL PARTS,SELECT.CONTR.VALVE,DUST PROTECT.....	70-36	REPAIR KITS FOR SUPER COMFORT SEAT MSG95 SUSPENSION.....	90-58
QUICK COUPLERS, DUST PROTECTION HOUSING.....	70-34	REPAIR KITS FOR SUPER COMFORT SEAT MSG95 SUSPENSION.....	90-60
QUICK DISCONNECT COUPLERS (CLASSIC)	70-13	REPAIR KITS FOR SUPER COMFORT SEAT MSG95 SUSPENSION.....	90-62
QUICK DISCONNECT COUPLERS (CLASSIC)	70-14	REPAIR KITS FOR SUPER COMFORT SEAT MSG83.....	90-78
QUICK DISCONNECT COUPLERS (DELUXE)	70-16	REPAIR KITS FOR SUPER COMFORT SEAT MSG83.....	90-80
QUICK DISCONNECT COUPLERS (STANDARD).....	70-15	REPAIR KITS FOR SUPER COMFORT SEAT MSG83.....	90-82
R			
RADIATOR / FAN SHROUD / COOLANT HOSES	20-28	REPAIR KITS FOR SUPER COMFORT SEAT MSG83.....	90-84
RADIATOR / FAN SHROUD / COOLANT HOSES (FOR EUROPEAN TRACTOR VERSION).....	20-30	ROD, MFWD-AXLE, TIE (APL2025/2035 / AS2025/2035)(NORTH AMERICAN TRACT.).....	80-28
RADIATOR / FAN SHROUD / COOLANT HOSES (FOR EUROPEAN TRACTOR VERSION).....	20-34	ROD, MFWD-AXLE, TIE (APL2025/2035 / AS2025/2035)(NORTH AMERICAN TRACT.).....	80-29
RADIATOR / FAN SHROUD / COOLANT HOSES (FOR EUROPEAN TRACTOR VERSION).....	20-36	ROD, MFWD-AXLE, TIE(APL2025/2035 WITHOUT TLS)(FOR NORTH AMERICAN TRACTOR).....	80-27
RADIATOR / FAN SHROUD / COOLANT HOSES (FOR EUROPEAN TRACTOR VERSION).....	20-38	RODS,TIE/FRONT AXLE (FOR NORTH AMERICAN TRACTOR VERSION).....	80-10
RADIATOR / FAN SHROUD / COOLANT HOSES (FOR NORTH AMERICAN TRACTOR VERSION)	20-32	S	
RADIATOR / FAN SHROUD / COOLANT HOSES (FOR NORTH AMERICAN TRACTOR VERSION)	20-40	SAFETY BELT	90-20
RADIATOR / FAN SHROUD / COOLANT HOSES (FOR NORTH AMERICAN TRACTOR VERSION)	20-42	SAFETY BELT FOR COMFORT SEAT MSG83	90-21
REAR AXLE BEARING.....	50-2	SAFETY BELT FOR COMFORT SEAT MSG85, MSG95	90-22
REAR AXLE BEARING.....	50-3	SAFETY BELT FOR COMFORT SEAT MSG85, MSG95	90-24
REAR AXLE BEARING.....	50-4	SAFETY BELT FOR COMFORT SEAT MSG85, MSG95	90-26
REAR AXLE BEARING.....	50-5	SCV 1 + 2,DUST PROTECTION,QUICK COUPLERS (DELUXE) LEAK-OFF-OIL PARTS	70-22
REAR AXLE BEARING.....	50-6	SCV 1 + 2,DUST PROTECTION,QUICK COUPLERS (DELUXE) LEAK-OFF-OIL PARTS	70-24
REAR AXLE BEARING.....	50-7	SCV 1 + 2,DUST PROTECTION,QUICK COUPLERS (DELUXE) LEAK-OFF-OIL PARTS	70-38
REAR AXLE BEARING.....	50-8	SCV 1 + 2,DUST PROTECTION,QUICK COUPLERS (STANDARD) LEAK-OFF-OIL PARTS	70-32
REPAIR KIT FOR COMFORT SEAT MSG44-A1.....	90-30	SCV 3 + 4,DUST PROTECTION,QUICK COUPLERS (DELUXE) LEAK-OFF-OIL PARTS	70-26
REPAIR KIT FOR COMFORT SEAT MSG44-A1.....	90-32	SCV 3 + 4,DUST PROTECTION,QUICK COUPLERS (DELUXE) LEAK-OFF-OIL PARTS	70-28
REPAIR KIT FOR COMFORT SEAT MSG44-A1.....	90-34	SCV 3 + 4,DUST PROTECTION,QUICK COUPLERS (STANDARD) LEAK-OFF-OIL PARTS	70-30
REPAIR KIT FOR SUPER COMFORT SEAT SUSPENSION MSG95 (AIR SUSPENDED).....	90-64	SEAT BELT	90-20
REPAIR KIT FOR SUPER COMFORT SEAT SUSPENSION MSG95 (AIR SUSPENDED).....	90-66	SEAT BELT FOR SUPER COMFORT SEAT MSG83.....	90-21
REPAIR KIT FOR SUPER COMFORT SEAT SUSPENSION MSG95 (AIR SUSPENDED).....	90-68	SEAT BELT FOR SUPER COMFORT SEAT MSG85, MSG95	90-22
REPAIR KIT FOR SUPER COMFORT SEAT SUSPENSION MSG95 (AIR SUSPENDED).....	90-70	SEAT BELT FOR SUPER COMFORT SEAT MSG85, MSG95	90-24
REPAIR KIT FOR SUPER COMFORT SEAT SUSPENSION MSG95 (AIR SUSPENDED).....	90-72	SEAT BELT FOR SUPER COMFORT SEAT MSG85, MSG95	90-26
REPAIR KITS FOR SUPER COMFORT SEAT DS85 SUSPENSION.....	90-42	SEAT CUSHION	90-29
REPAIR KITS FOR SUPER COMFORT SEAT DS85 SUSPENSION.....	90-44	SEAT CUSHION, COMFORT SEAT DS44-06, DS44-07	90-28
REPAIR KITS FOR SUPER COMFORT SEAT DS85 SUSPENSION.....	90-46	SEAT DS85, SUPER COMFORT/AIR COMFORT SEAT MSG95, REPAIR KITS	90-74
REPAIR KITS FOR SUPER COMFORT SEAT DS85, AIR COMFORT SEAT MSG95.....	90-74	SEAT DS85, SUPER COMFORT/AIR COMFORT SEAT MSG95, REPAIR KITS	90-76
REPAIR KITS FOR SUPER COMFORT SEAT DS85, AIR COMFORT SEAT MSG95.....	90-76		
REPAIR KITS FOR SUPER COMFORT SEAT MSG85 SUSPENSION.....	90-48		

ALPHABETICAL INDEX - CONTINUED

	PAGE		PAGE
SEAT DS85, SUPER COMFORT, SUSPENSION, REPAIR KITS	90-42	SUPER COMFORT SEAT MSG85, MSG95, SEAT BELT	90-26
SEAT DS85, SUPER COMFORT, SUSPENSION, REPAIR KITS	90-44	SUPER COMFORT SEAT MSG85, SUSPENSION, REPAIR KITS	90-48
SEAT DS85, SUPER COMFORT, SUSPENSION, REPAIR KITS	90-46	SUPER COMFORT SEAT MSG85, SUSPENSION, REPAIR KITS	90-50
SEAT MSG85, SUPER COMFORT, SUSPENSION, REPAIR KITS	90-48	SUPER COMFORT SEAT MSG85, SUSPENSION, REPAIR KITS	90-52
SEAT MSG85, SUPER COMFORT, SUSPENSION, REPAIR KITS	90-50	SUPER COMFORT SEAT MSG95 (WITH LATERAL SUSPENSION).....	90-14
SEAT MSG85, SUPER COMFORT, SUSPENSION, REPAIR KITS	90-52	SUPER COMFORT SEAT MSG95 (WITH LATERAL SUSPENSION).....	90-16
SEAT MSG95, AIR COMFORT, SUSPENSION, REPAIR KITS	90-64	SUPER COMFORT SEAT MSG95 (WITH LATERAL SUSPENSION).....	90-18
SEAT MSG95, AIR COMFORT, SUSPENSION, REPAIR KITS	90-66	SUPER COMFORT SEAT MSG95, SUSPENSION, REPAIR KITS	90-54
SEAT MSG95, AIR COMFORT, SUSPENSION, REPAIR KITS	90-68	SUPER COMFORT SEAT MSG95, SUSPENSION, REPAIR KITS	90-56
SEAT MSG95, AIR COMFORT, SUSPENSION, REPAIR KITS	90-70	SUPER COMFORT SEAT MSG95, SUSPENSION, REPAIR KITS	90-58
SEAT MSG95, AIR COMFORT, SUSPENSION, REPAIR KITS	90-72	SUPER COMFORT SEAT MSG95, SUSPENSION, REPAIR KITS	90-60
SEAT MSG95, SUPER COMFORT, SUSPENSION, REPAIR KITS	90-54	SUPER COMFORT SEAT MSG95, SUSPENSION, REPAIR KITS	90-62
SEAT MSG95, SUPER COMFORT, SUSPENSION, REPAIR KITS	90-56	SUPER COMFORT SEAT SUSPENSION MSG95 (AIR SUSPENDE), REPAIR KIT	90-64
SEAT MSG95, SUPER COMFORT, SUSPENSION, REPAIR KITS	90-58	SUPER COMFORT SEAT SUSPENSION MSG95 (AIR SUSPENDE), REPAIR KIT	90-66
SEAT MSG95, SUPER COMFORT, SUSPENSION, REPAIR KITS	90-60	SUPER COMFORT SEAT SUSPENSION MSG95 (AIR SUSPENDE), REPAIR KIT	90-68
SEAT MSG95, SUPER COMFORT, SUSPENSION, REPAIR KITS	90-62	SUPER COMFORT SEAT SUSPENSION MSG95 (AIR SUSPENDE), REPAIR KIT	90-70
SEAT-BELT, INSTRUCTIONAL SEAT	90-86	SUPER COMFORT SEAT SUSPENSION MSG95 (AIR SUSPENDE), REPAIR KIT	90-72
SEAT, COMFORT, MSG44-A1,REPAIR KIT	90-30	SUSPENSION FOR SUPER COMFORT SEAT MSG95 (AIR SUSPENDE).....	90-53
SEAT, COMFORT, MSG44-A1,REPAIR KIT	90-32		
SEAT, COMFORT, MSG44-A1,REPAIR KIT	90-34		
SEAT, SUPER COMFORT, MSG83	90-36		
SEAT, SUPER COMFORT, MSG83	90-38		
SEAT, SUPER COMFORT, MSG83	90-40		
SEATS	90-11		
SEATS	90-12		
SEATS	90-13		
SELECTIVE CONTROL VALVE, DUST PROTECT., QUICK COUPL.(DELUXE)LEAK-OFF-OIL PARTS	70-20		
SELECTIVE CONTROL VALVE, DUST PROTECT., QUICK COUPL.(STAND.)LEAK-OFF-OIL PARTS	70-36		
STARTING MOTOR	40-2		
STARTING MOTOR	40-3		
STARTING MOTOR	40-4		
SUPER COMFORT SEAT DS85, SUSPENSION, REPAIR KITS	90-42		
SUPER COMFORT SEAT DS85, SUSPENSION, REPAIR KITS	90-44		
SUPER COMFORT SEAT DS85, SUSPENSION, REPAIR KITS	90-46		
SUPER COMFORT SEAT MSG83	90-36		
SUPER COMFORT SEAT MSG83	90-38		
SUPER COMFORT SEAT MSG83	90-40		
SUPER COMFORT SEAT MSG83, REPAIR KITS	90-78		
SUPER COMFORT SEAT MSG83, REPAIR KITS	90-80		
SUPER COMFORT SEAT MSG83, REPAIR KITS	90-82		
SUPER COMFORT SEAT MSG83, REPAIR KITS	90-84		
SUPER COMFORT SEAT MSG83, SEAT BELT	90-21		
SUPER COMFORT SEAT MSG85, MSG95, SEAT BELT	90-22		
SUPER COMFORT SEAT MSG85, MSG95, SEAT BELT	90-24		
		T	
		THERMOSTAT	20-22
		THERMOSTAT	20-26
		THERMOSTAT	20-27
		TIE ROD, FRONT AXLE (LOW VERSION) (FOR NORTH AMERICAN TRACTOR)	80-38
		TIE ROD, FRONT AXLE (LOW VERSION) (FOR NORTH AMERICAN TRACTOR)	80-40
		TIE ROD, MFWD-AXLE	80-2
		TIE ROD, MFWD-AXLE	80-19
		TIE ROD, MFWD-AXLE	80-20
		TIE ROD, MFWD-AXLE (APL2025/2035 WITHOUT TLS) (FOR NORTH AMERICAN TRACTOR).....	80-27
		TIE ROD, MFWD-AXLE (APL2025/2035 WITHOUT TLS)(FOR NORTH AMERICAN TRACTOR).....	80-26
		TIE ROD, MFWD-AXLE (APL2045 / AS2045) (FOR EUROPEAN TRACTOR)	80-30
		TIE ROD, MFWD-AXLE (APL2060 WITHOUT TLS) (FOR EUROPEAN TRACTOR)	80-31
		TIE ROD, MFWD-AXLE (FOR EUROPEAN TRACTOR VERSION).....	80-1
		TIE ROD, MFWD-AXLE (FOR EUROPEAN TRACTOR VERSION).....	80-3
		TIE ROD, MFWD-AXLE (WITH OR WITHOUT TLS 045JD/045JDS) (FOR EUROPEAN TRACTORS)	80-34
		TIE ROD, MFWD-AXLE (WITH OR WITHOUT TLS 045JD/045JDS) (FOR EUROPEAN TRACTORS)	80-35

ALPHABETICAL INDEX - CONTINUED

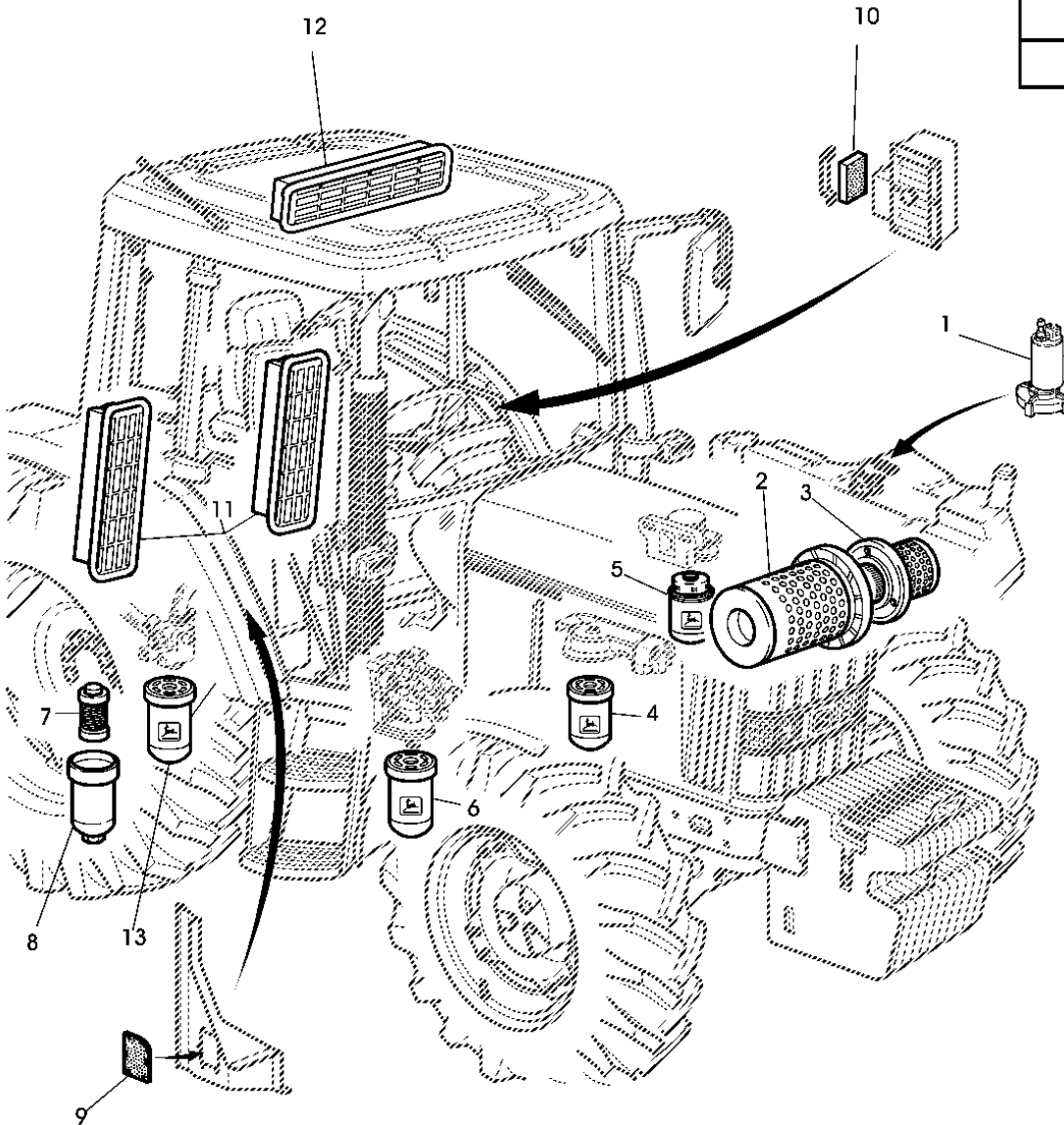
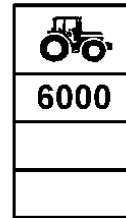
	<i>PAGE</i>	<i>PAGE</i>
TIE ROD, MFWD-AXLE APL2025 (WITHOUT TLS) (FOR EUROPEAN TRACTOR VERSION).....	80-18	
TIE ROD, MFWD-AXLE 730 (FOR NORTH AMERICAN TRACTOR VERSION).....	80-36	
TIE ROD, MFWD-AXLE 740 (FOR NORTH AMERICAN TRACTOR VERSION).....	80-37	
TIE ROD, MFWD-AXLE, WITH OR WITHOUT TLS (APL2025/AS2025)	80-21	
TIE ROD, MFWD-AXLE, WITH OR WITHOUT TLS (APL2025/AS2025) (EUROPEAN TRACTOR)	80-22	
TIE ROD, MFWD-AXLE, WITH OR WITHOUT TLS (APL2060/AS2060) (EUROPEAN TRACTOR)	80-32	
TIE ROD, MFWD-AXLE, WITH OR WITHOUT TLS (APL2060/AS2060) (EUROPEAN TRACTOR)	80-33	
TIE ROD, NARROW MFWD-AXLE (AS2035) (FOR EUROPEAN TRACTOR).....	80-23	
TIE ROD, NARROW MFWD-AXLE (AS2035) (FOR NORTH AMERICAN TRACTOR)	80-24	
TIE ROD, NARROW MFWD-AXLE (AS2035) (FOR NORTH AMERICAN TRACTOR)	80-25	
TIE ROD, MFWD-AXLE (APL2025/2035 / AS2025 /2035) (FOR NORTH AMERICAN TRACTOR)	80-28	
TIE ROD, MFWD-AXLE (APL2025/2035 / AS2025 /2035) (FOR NORTH AMERICAN TRACTOR)	80-29	
TIE RODS AND EXTENSION, FRONT AXLE (FOR EUROPEAN TRACTOR VERSION)	80-12	
TIE RODS AND EXTENSION, FRONT AXLE (FOR NORTH AMERICAN TRACTOR VERSION).....	80-14	
TIE RODS AND EXTENSION, FRONT AXLE (FOR NORTH AMERICAN TRACTOR VERSION).....	80-16	
TIE RODS, FRONT AXLE (FOR EUROPEAN TRACTOR VERSION).....	80-4	
TIE RODS, FRONT AXLE (FOR EUROPEAN TRACTOR VERSION).....	80-6	
TIE RODS, FRONT AXLE (FOR EUROPEAN TRACTOR VERSION).....	80-8	
TIE RODS, FRONT AXLE (FOR NORTH AMERICAN TRACTOR VERSION).....	80-10	

W

WATER PUMP	20-20
WATER PUMP	20-21
WINDOW WIPERS	90-8
WINDOW WIPERS	90-9
WINDOW WIPERS	90-10
WIPERS, WINDOW	90-8
WIPERS, WINDOW	90-9
WIPERS, WINDOW	90-10

FILTER OVERVIEW AND FUEL PUMP

LX029862 -UN-



LX029862