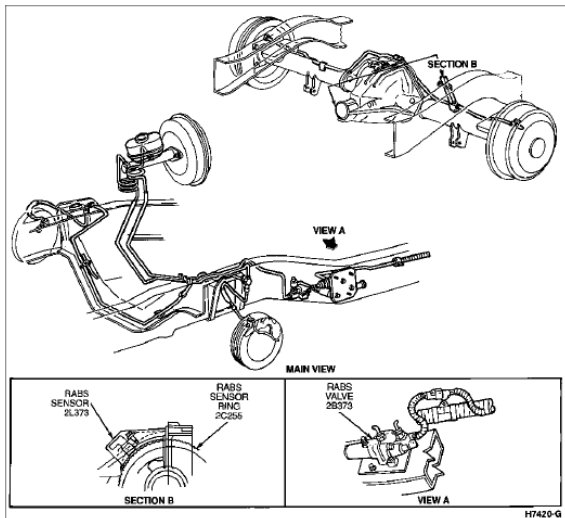


## Component Location

The RABS II consists of the following components:

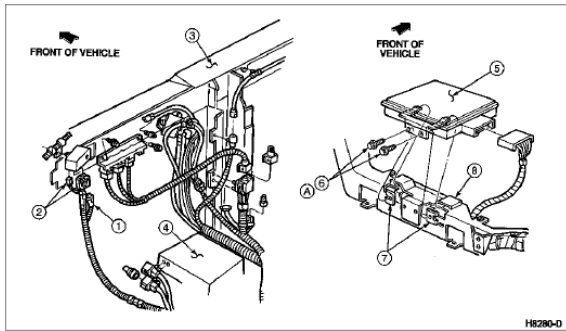
- Anti-lock electronic control module (2C018) located in the cab mounted to the instrument panel lower brace behind the passenger side trim cover.
- RABS valve (dual solenoid electro-hydraulic valve) located on the left frame side rail (5015) just behind the engine mount front crossmember (5019).
- RABS sensor and RABS sensor ring located in the rear axle housing (4010).
- Yellow REAR ABS warning light in the instrument cluster.
- RABS II diagnostic connector located behind trim panel at far right side of instrument panel, just below the instrument panel brace.
- Diode/resistor element located on the main trunk of the instrument panel wiring harness where the RABS II anti-lock electronic control module connector pigtail intersects the main trunk.
- RABS sensor test connector with cap located under hood between the battery and the right side engine compartment wall.

## Component Location



## Component Location (Continued)

1996 Econoline



Item	Part Number	Description
1	Â	RABS II Sensor Test Connector (Part of 12A581)
2	Â	Test Connector (Part of 12A581)
3	16138	Radiator Support (Upper)
4	10732	Battery, Tray, Left
5	2C018	Anti-Lock Electronic Control Module
6	N804234-S58	Screw and Washer (2 Req'd)
7	N802650-S36	J-Nut
8	Â	Instrument Panel Brace (Part of 04320)
A	Â	Tighten to 1.7-2.1 Nm (15.1-18.5 Lb-In)

**System Operation Flowchart**

