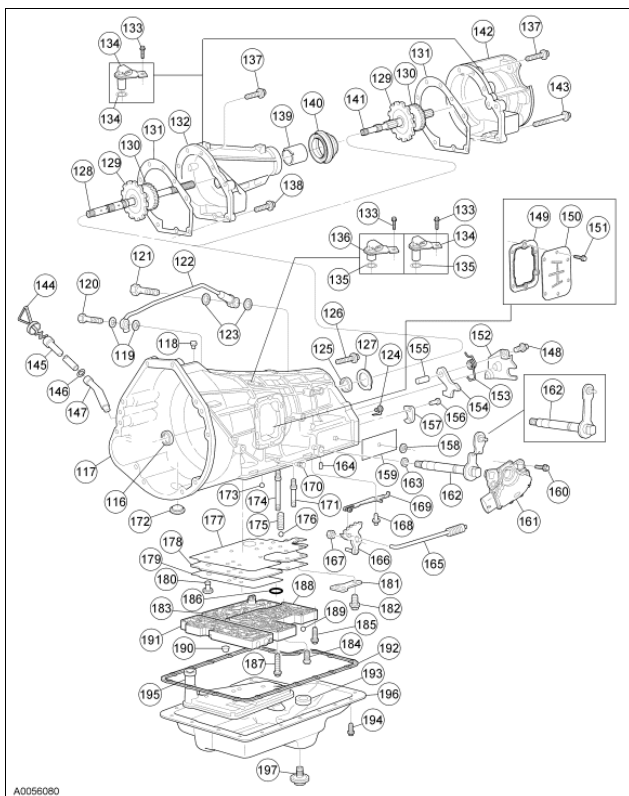


**Transmission, Disassembled View**



Item	Part Number	Description
1	7902	Converter assembly (model dependent)
2	7017	Shaft input
3	7L323	Seal front pump support

2005 Excursion Workshop Manual

4	7A248	Seal front pump
5	7A248	Seal front pump square cut OD
6	N805260-S	Screw and washer assembly front pump to case
7	7G379	Washer replacement (9 req'd)
8	7A103	Pump assembly front (model dependent)
9	7D014	Washer front pump support thrust No. 1 (model dependent)
10	7A136	Gasket front pump
11	7G402	Seal coast clutch ring Teflon® (2 req'd)
12	7E486	Bearing assembly overdrive sun gear No. 2
13	7G387	Cylinder assembly coast clutch (model dependent)
14	7A262	Piston and seal assembly coast clutch (model dependent)
15	7B070	Spring coast clutch piston disc (model dependent)
16	7A527	Ring coast clutch spring retainer (model dependent)
17	7B164	Plate coast clutch internal spline friction
18	7B442	Plate coast clutch external spline steel
19	7B437	Plate coast clutch pressure
20	7D483	Ring coast clutch press plate retaining (selective fit) (model dependent)
21	7D063	Gear assembly overdrive sun
22	7A089	Clutch assembly overdrive one-way
23	7G375	Ring retaining flat (outer race to overdrive ring gear)
24	7G389	Race overdrive one-way clutch outer
25	7L339	Washer overdrive one-way clutch No. 3
26	7B446	Planet assembly overdrive
27	7F240	Bearing assembly thrust No. 4
28	7A153	Gear overdrive ring
29	7A658	Shaft overdrive center
30	7D483	Ring overdrive retaining (select fit)
31	7G375	Ring wavy retaining (center shaft to overdrive ring gear)
32	7G178	Bearing assembly center shaft No. 5
33	7B066	Plate overdrive clutch pressure
34	7B164	Plate overdrive clutch internal spline friction (model dependent)
35	7B442	Plate overdrive clutch external spline steel
36	7A527	Ring overdrive clutch disc spring retaining
37	7B070	Spring overdrive clutch piston disc
38	7A262	

2005 Excursion Workshop Manual

		Piston and seal assembly overdrive clutch (bonded)
39	7D483	Ring intermediate cylinder retaining
40	7F225	Seal intermediate clutch piston (inner)
41	7G384	Cylinder intermediate and overdrive clutch
42	7Z059	Bolt M10-1.5 x 24 mm (0.96 in) overdrive cylinder fluid feed
43	7E005	Piston intermediate clutch
44	7F224	Seal intermediate clutch piston outer
45	7B070	Spring intermediate clutch piston disc
46	7Z059	Bolt M12-1.75 x 31 mm (1.24 in) center support fluid feed (2 req'd)
47	7A130	Support assembly center
48	7L326	Washer center support thrust No. 6
49	7D025	Seal direct clutch cast iron (2 req'd)
50	7B066	Plate intermediate clutch apply
51	7B164	Plate intermediate clutch internal spline
52	7B442	Plate intermediate clutch external spline
53	7B066	Plate intermediate clutch pressure
54	7D021	Servo assembly intermediate brake band
55	7D034	Band assembly intermediate
56	7A089	Clutch assembly intermediate one-way
57	7G401	Washer intermediate one-way clutch thrust No. 7
58	7D044	Drum assembly intermediate brake
59	7A548	Seal direct clutch inner
60	7A548	Seal direct clutch outer
61	7A262	Piston assembly direct clutch
62	7F235	Retainer and spring assembly direct clutch
63	7C122	Ring direct clutch support spring retaining
64	7B164	Plate direct clutch internal spline friction
65	7B442	Plate direct clutch external spline steel
66	7B066	Plate direct clutch pressure
67	377126-S, 377127-S, 377128-S, 377437-S	Ring direct clutch pressure plate retaining (selective fit)
68	7D019	Seal forward clutch cylinder (2 req'd)
69	7F374	Bearing assembly forward clutch cylinder thrust No. 8B
70	7A360	Cylinder assembly forward clutch
71	7A548	Seal forward clutch piston inner
72	7A548	Seal forward clutch piston outer
73	7A262	Piston assembly forward clutch
74	7D256	Ring piston apply
75	7B070	Spring piston return
76	377127-S	

2005 Excursion Workshop Manual

		Ring retaining forward clutch spring (forward clutch piston spring to forward clutch cylinder assembly)
77	7B066	Plate forward clutch pressure
78	7E085	Spring forward clutch wave
79	7B164	Plate forward clutch internal spline friction
80	7B442	Plate forward clutch external spline steel
81	7B066	Plate forward clutch pressure rear
82	377127-S, 377437-S, 377444-S, 386841-S, 386842-S	Ring forward clutch pressure plate retaining (selective fit)
83	7D090	Washer forward clutch hub thrust No. 8C
84	377132-S	Ring forward hub retaining (forward ring gear hub to forward ring gear)
85	7B067	Hub forward ring gear
86	7D392	Gear forward ring
87	7D234	Bearing assembly forward clutch thrust (between forward ring gear and forward planet assembly) No. 9A
88	7A166	Bearing assembly forward planet carrier thrust No. 10A
89	7A398	Planet assembly forward
90	7D234	Bearing assembly forward clutch thrust (between forward planet assembly and forward sun gear assembly) No. 9B
91	7D063	Gear assembly forward/reverse sun
92	7D064	Shell input
93	7D066	Washer input shell thrust No. 14
94	377300-S	Ring retaining (attaches forward/reverse sun gear assembly to input shell)
95	7D483	Ring reverse clutch pressure plate retaining
96	7B066	Plate reverse clutch pressure
97	7B164	Plate reverse clutch internal spline friction
98	7B442	Plate reverse clutch external spline steel
99	7E085	Spring transmission reverse clutch cushion
100	377155-S	Ring reverse planet retaining
101	7A166	Washer planet carrier thrust (between reverse planet assembly and input shell) No. 10B
102	7D006	Planet assembly reverse
103	7A166	Washer planet carrier thrust (between reverse planet assembly and output shaft hub) No. 11

2005 Excursion Workshop Manual

104	387031-S5	Ring retaining (retaining output shaft hub to output shaft assembly)
105	7A153	Gear output shaft ring
106	7D164	Hub output shaft
107	377132-S	Ring retaining (retaining output shaft hub to output shaft ring gear)
108	7B067	Hub assembly reverse clutch
109	7A089	Clutch assembly reverse one-way
110	7G178	Low/reverse one-way clutch inner race thrust bearing assembly No. 12
111	7D171	Race-low reverse one way inner
112	7D406	Retainer and spring assembly reverse clutch
113	7D404	Seal reverse clutch piston inner
114	7D403	Seal reverse clutch piston outer
115	7D402	Piston reverse clutch
116	7025	Bushing case front (3 lube grooves)
117	7005	Case assembly
118	7034	Vent assembly case
119	391933-S100	Sealing washers case outlet (part of 7H322 CBV assembly)
120	7Z152	Cooler line case fitting (part of 7H322 CBV assembly) (model dependent)
121	7G118	Cooler line case fitting (part of 7H322 CBV assembly) (model dependent)
122	7H322	Valve assembly transmission cooler bypass (model dependent)
123	391932-S100	Sealing washers case outlet (part of 7H322 CBV assembly) (model dependent) (2 req'd)
124	7E380	Plug case fluid filler
125	7025	Bushing case rear (1 lube groove)
126	7D167	Bolt 5/16 x 1.9 (one-way clutch to case) (5 req'd)
127	7B368	Washer parking gear thrust rear No. 13
128	7060	Output shaft assembly (4x2)
129	7A233	Gear output shaft parking
130	7H150	Wheel tone
131	7086	Gasket extension housing
132	7A039	Extension housing (4x2)
133	N605769-S101	Bolt M6 1 x10 hex flange
134	7M101	Sensor turbine/output shaft speed (TSS/OSS)
135	N811757-S100	O-ring sensor
136	7M101	Sensor turbine shaft speed (TSS)
137	N605803-S427	Bolt M10 - 1.5 x 40 mm (1.6 in) extension assembly to case (top) (7 req'd)

2005 Excursion Workshop Manual

138	N605802-S427	Bolt M10 - 1.5 x 35 mm (1.4 in) extension housing to case (bottom) (2 req'd)
139	7A034	Bushing extension housing (4x2)
140	7052	Seal extension housing (4x2)
141	7060	Output shaft assembly (4x4)
142	7A039	Extension assembly (4x4) and Super Duty
143	N606569-S427	Bolt M10 - 1.5 x 93.5 mm (3.74 in) extension assembly to case (Super Duty and 4x4 bottom) (2 req'd)
144	7A020	Indicator assembly fluid level
145	7A228	Tube assembly fluid filler
146	391308-S	O-ring filler tube
147	7A160	Tube fluid inlet short
148	N805232-S	Screw and washer assembly M8-1.25 x 23.8 (attaches 7D419 to 7005)
149	7223	PTO cover gasket
150	7222	PTO case cover
151	N605799-S100	M10 - 1.5 x 20 hex flange head (attaches PTO cover to case)
152	7D419	Plate parking rod guide
153	7D070	Spring parking pawl return
154	7A441	Pawl parking
155	387640-S	Shaft park pawl
156	N805261-S191	Bolt M8-1.25 x 25.9 mm (1.03 in) (attaches park pawl actuating abutment to case)
157	7G101	Abutment parking pawl actuating
158	372552-S2	Nut 3/8 spring (attaches service identification tag to case)
159	7B148	Tag transmission service identification
160	N811382-S100	Bolt assembly transmission range sensor to case (2 req'd)
161	7F293	Sensor assembly digital transmission range
162	7A256	Lever assembly manual control
163	7B498	Seal manual control lever
164	7B210	Pin manual lever retaining
165	7A232	Rod assembly parking pawl actuating
166	7A115	Lever manual control valve detent inner
167	N800287-S36	Nut M14-1.5 hex inner detent lever (7A115 to 7A256)
168	N805503-S	Bolt manual valve detent spring assembly to case
169	7E332	Spring assembly manual valve detent
170	390685-S	Plug test port 1/8-27 hex-head
171	N805330-S	Stud M6 - 1.0 x 61.25 mm (2.45 in) valve body assembly to case solenoid valve body

2005 Excursion Workshop Manual

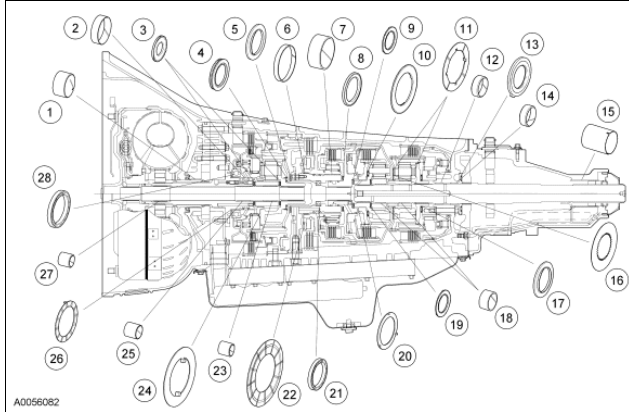
		to case accumulator body assembly to case
172	7N171	Plug converter access
173	7E195	Ball rubber check (8 req'd)
174	N805331-S	Stud main control assembly to case
175	7D017	Spring EPC blow-off
176	353078-S	Ball EPC blow-off
177	7C155	Gasket valve body separator plate
178	7A008	Plate valve body separator
179	7D100	Gasket valve body separator plate to case
180	7G308	Screen assembly solenoid
181	7F282	Plate valve body reinforcing
182	N805503-S	Bolt valve body reinforcing plate to case (3 req'd)
183	7G391	Solenoid valve body transmission control
184	N805329-S	Bolt M6 - 1.0 x 40 mm (1.6 in) solenoid valve body to case (9 req'd)
185	N805326-S	Bolt M6 - 1.0 x 42.5 mm (1.7 in) valve body assembly to case and accumulator body assembly to case (18 req'd)
186	N705409	O-ring seal solenoid body
187	N805327-S	Bolt valve body assembly to case
188	7A100	Valve body assembly
189	7E195	Ball rubber check (green) (2 req'd)
190	N805328-S	Nut M6 - 1.0 (5required)
191	7G422	Control assembly accumulator body
192	7A191	Reusable gasket transmission pan
193	7L027	Magnet transmission pan
194	N811266-S36	Bolt and washer assembly pan assembly to case (20 req'd)
195	7A098	Filter and seal assembly transmission (4x4)
196	7A194	Pan assembly transmission (4x4)
197	7D479	Plug assembly fluid pan drain (model dependent)
A		Reverse clutch and planetary
B		Forward planetary
C		Forward clutch assembly
D		Intermediate clutch assembly
E		Direct clutch assembly
F		Coast clutch assembly (model dependent)
G		Overdrive clutch assembly (model dependent)





**Bushings, Bearing and Thrust Washer Locator**  [Printable View \(134 KB\)](#)

**Bushings, Bearing and Thrust Washer Locator**



Item	Part Number	Description
1	7B258	Front pump bushing
2	7A620	Coast clutch bushing (part of 7G387) (model dependent)
3	7E486	Overdrive sun gear (front/rear) thrust bearing No. 2A and 2B
4	7F240	Overdrive carrier to center shaft thrust bearing No. 4
5	7G178	Center shaft to center support thrust bearing No. 5
6		Intermediate brake drum front bushing (part of 7D044)
7		Intermediate brake drum rear bushing (part of 7D044)
8	7F374	Forward clutch hub to center support hub thrust bearing No. 8B
9	7F078	Forward carrier (front) thrust bearing No. 9A
10	7H334	Planet carrier needle bearing No. 10A
11	7D423	Planet carrier thrust washer No. 10B, No. 11
12	7025	Front case bushing
13	7B368	Parking gear thrust washer No. 13
14	7025	Rear case bushing
15	7A034	Extension housing bushing
16	7D066	Input shell thrust washer No. 14
17	7G178	Output shaft hub rear thrust bearing No. 12
18		Forward/reverse (front/rear) sun gear bushing (part of 7D063)
19	7F078	Forward carrier (rear) thrust bearing
20	7D090	Forward clutch hub thrust washer No. 8C
21		Ball bearing center shaft (part of 7A130)
22	7L326	Center support thrust washer No. 6
23	7B261	Overdrive sun gear bushing

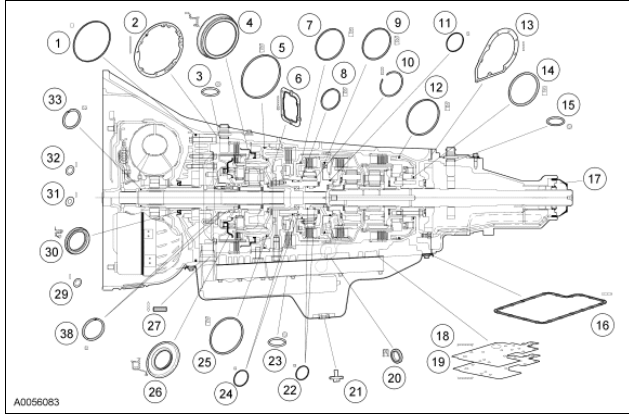
## 2005 Excursion Workshop Manual

24	7L339	One way clutch to overdrive carrier thrust washer No. 3 (model dependent)
25	7D018	Front pump bushing
26	7D014	Front pump support thrust washer No. 1 (model dependent)
27	7B261	Front pump support front bushing (part of 7A103)
28	7H401	Grab coast clutch ball bearing (model dependent)

---

**Seals, Rings and Gasket Locator**  [Printable View \(130 KB\)](#)

**Seals, Rings and Gasket Locator**



Item	Part Number	Description
1	7A248	Front pump square cut outside diameter seal
2	7A136	Pump gasket
3	N811757-S100	Turbine shaft speed (TSS) sensor O-ring
4	7A262	Overdrive clutch piston and seal assembly (inner and outer seals bonded to the piston)
5	7F224	Intermediate clutch piston outer seal
6	7223	Power take off (PTO) gasket (model dependent)
7	7A548	Direct clutch outer seal
8	7A548	Direct clutch inner seal
9	7A548	Forward clutch piston outer seal
10	7C122	Direct clutch support spring retaining ring
11	7A548	Forward clutch piston inner seal
12	7D403	Reverse clutch piston outer lip seal
13	7086	Extension housing gasket
14	7D404	Reverse clutch piston inner lip seal
15	N811757-S100	Sensor O-ring turbine shaft speed (TSS)
16	7A191	Reusable transmission pan gasket
17	7052	Extension housing seal
18	7C155	Case to separator plate gasket
19	7D100	Separator plate to control body gasket
20	7B498	Manual control lever seal
21	7F033	Drain plug gasket (model dependent)
22	7D019	Forward clutch cylinder seal (2 req'd)
23	N705409	Solenoid body O-ring
24	7D429	Forward clutch seal cast iron (2 req'd)
25	7F225	Intermediate clutch piston seal
26	7A262	Coast clutch seal bonded on piston (model dependent)