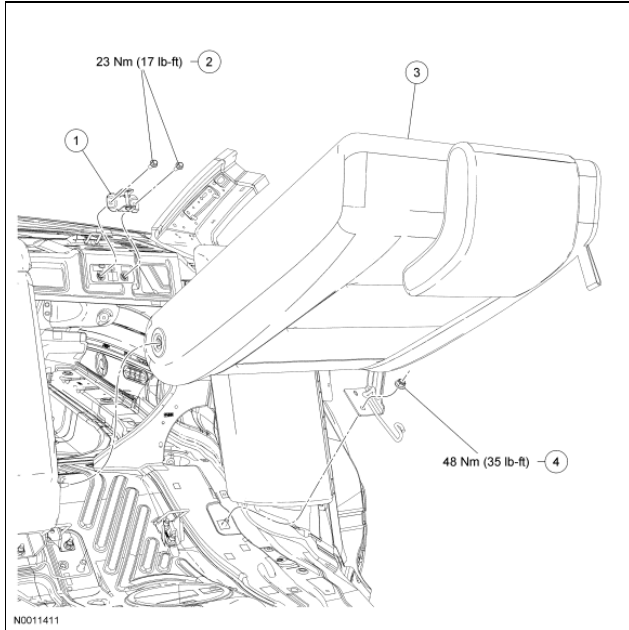


**Rear Seat Backrest Five Hundred, Montego**  [Printable View \(342 KB\)](#)

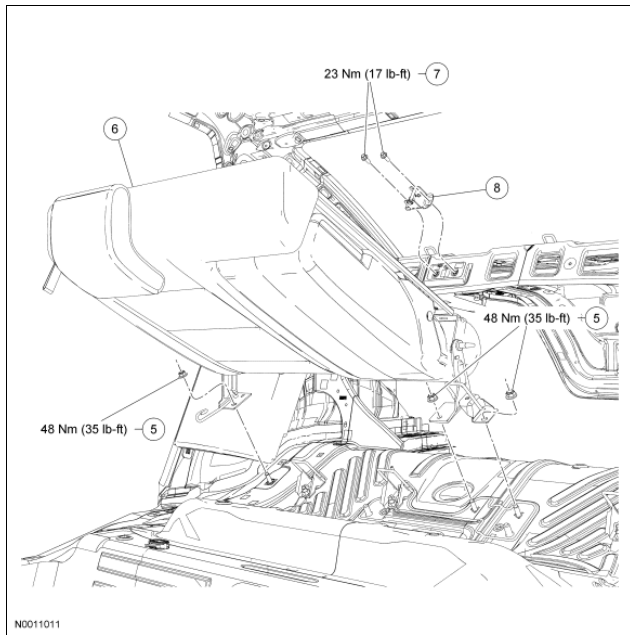
**Removal and Installation**

**40 Percent Backrest**



Item	Part Number	Description
1		Backrest striker
2	W505264-S424	Backrest striker-to-package tray bolts (2 required)
3		40 percent backrest assembly
4	W520113-S424	Backrest bracket-to-floor stud nut

**60 Percent Backrest**



Item	Part Number	Description
5	W520113-S424	Backrest bracket-to-floor stud nuts (3 required)
6		60 percent backrest assembly
7	W505264-S424	Backrest striker-to-package tray bolts (2 required)
8	62452	Backrest striker

**60 percent and 40 percent backrest**

1. Remove the rear seat cushion. For additional information, refer to Rear Seat Cushion Five Hundred, Montego in this section.
2. Remove the 40 percent backrest lower outboard nut.
  - To install, tighten to 48 Nm (35 lb-ft).
3. Pull the 40 percent backrest release strap, releasing the backrest latch from the striker and pivot the 40 percent seat forward.
4. Slide the 40 percent backrest out of the 60 percent pivot rod and remove.

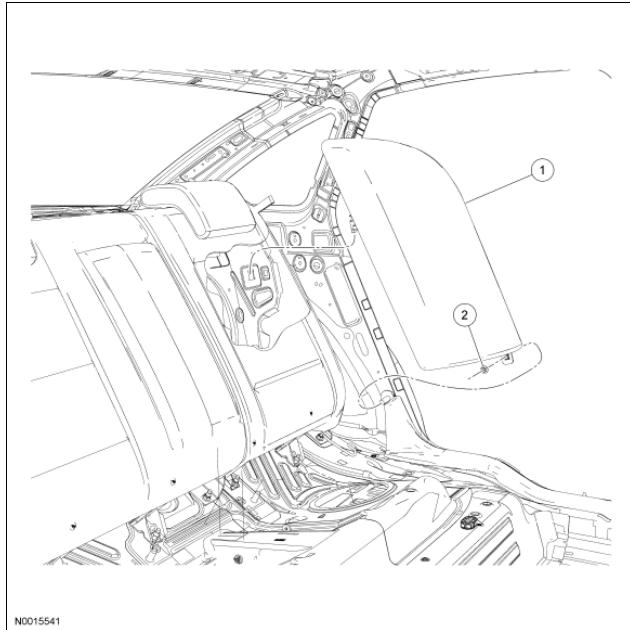
**60 percent backrest only**

5. Remove the 3 60 percent backrest lower nuts at the 2 backrest mounting brackets.
  - To install, tighten to 48 Nm (35 lb-ft).
6. Pull the 60 percent backrest release strap, releasing the backrest latch from the striker and pivot the 60 percent seat forward and remove.

**60 percent and 40 percent backrest**

7. To install, reverse the removal procedure.



**Rear Seat Bolster Five Hundred, Montego**  [Printable View \(169 KB\)](#)**Removal and Installation**

Item	Part Number	Description
1	66892	Backrest bolster
2	N804795-S	Bolster nut

**NOTE:** LH side shown, RH side similar.

**All bolsters**

1. Remove the rear seat cushion. For additional information, refer to [Rear Seat Cushion Five Hundred, Montego](#) in this section.

**Bolsters having been previously removed**

2. Remove the nut from the lower retainer stud.

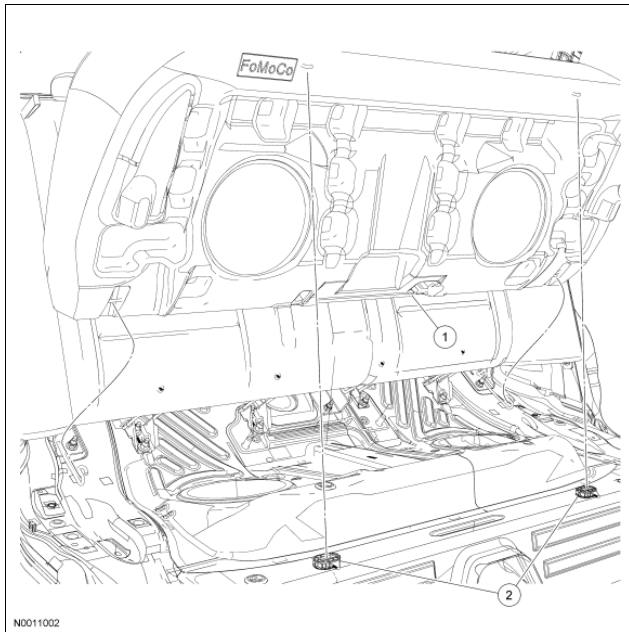
**All bolsters**

3. Separate the LH rear door weatherstrip at the seat backrest side bolster.
4. Between the pinch weld and the LH scuff plate, pry out and release the side bolster lower retainer.
5. Slide the LH side bolster up and out to remove.

**All bolsters**

6. To install, reverse the removal procedure.
  - When installing the side bolster, install a M6 x 1.0 nut on the lower retainer stud and tighten to 8 Nm (71 lb-in).



**Rear Seat Cushion Five Hundred, Montego** [Printable View \(217 KB\)](#)

Item	Part Number	Description
1		Cushion assembly
2	101C24	Cushion floor latch

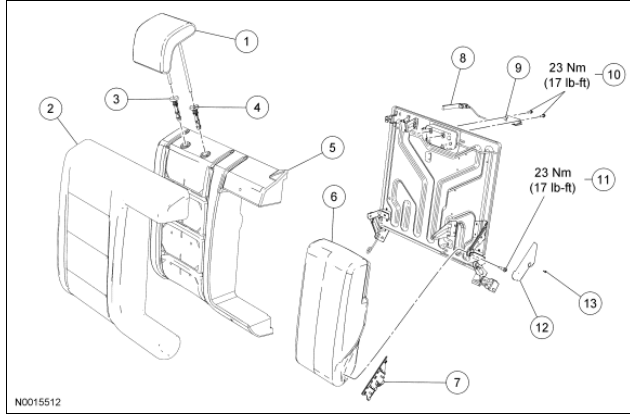
**Removal and Installation**

1. From under the front of the cushion assembly, push each of the 2 seat cushion floor latch release levers to the left of the vehicle. Lift up at the front and release the front of the cushion assembly.
2. Push the cushion assembly back as far as possible. Lift up at the rear outboard ends of the cushion assembly, clearing the retainer hooks from the cushion assembly wire, pull the cushion assembly forward and remove it.
3. To install, reverse the removal procedure.
  - Make sure the safety belt buckles are accessible to the occupants after installation.



**Seat Exploded View, Five Hundred, Montego, Second Row**  [Printable View \(206 KB\)](#)

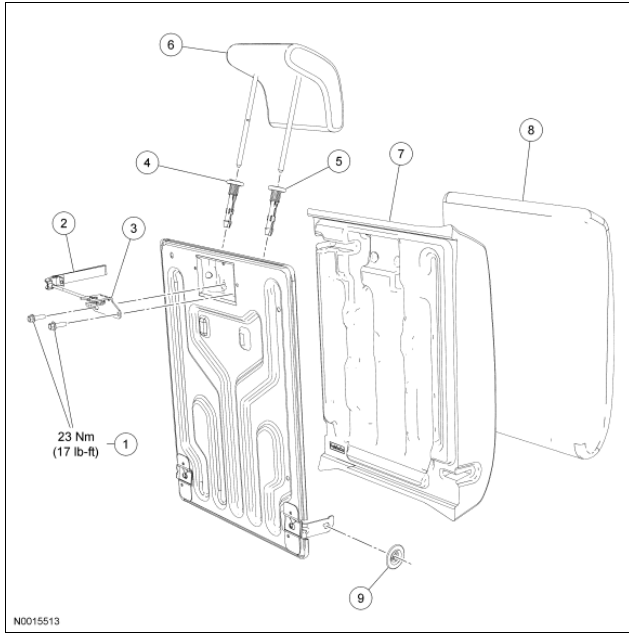
**Five Hundred and Montego Rear Seat Backrest, Second Row, 60 Percent**



Item	Part Number	Description
1		Head restraint assembly
2		Backrest trim cover
3		Slave head restraint guide
4		Master head restraint guide
5		Backrest foam pad
6		Armrest assembly
7		Armrest bracket inboard trim cover
8		Tether/cable assembly
9		Backrest latch assembly
10	W505264-S	Backrest latch-to-backrest frame bolts (2 required)
11		Armrest-to-bracket bolt
12		Armrest bracket outboard trim cover
13		Screw

**Five Hundred and Montego Rear Seat Backrest, Second Row, 40 Percent**






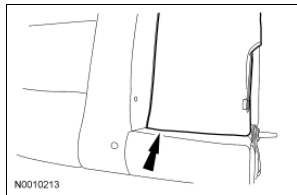
Item	Part Number	Description
1	W505264-S	Backrest latch-to-backrest frame bolts (2 required)
2		Tether/cable assembly
3		Backrest latch assembly
4		Master head restraint guide
5		Slave head restraint guide
6		Head restraint assembly
7		Backrest foam pad
8		Backrest trim cover
9		Bushing

1. For additional information, refer to the procedures in this section.



**Rear Seat Backrest Cover Five Hundred, Montego, 60 Percent**  [Printable View \(21 KB\)](#)**Removal and Installation**

1. Remove the rear seat cushion. For additional information, refer to [Rear Seat Cushion Five Hundred, Montego](#) in this section.
2. Remove the 60 percent rear seat backrest. For additional information, refer to [Rear Seat Backrest Five Hundred, Montego](#) in this section.
3. Push in on the head restraint adjust button and remove the head restraint assembly.
4. Remove the screw and the armrest bracket outboard cover.
5. Remove the armrest-to-bracket bolt.
  - To install, tighten to 23 Nm (17 lb-ft).
6. Slide the pin, on the inboard side of the armrest, out of the backrest and remove the armrest.
7. Fold the armrest pocket panel of the trim cover up and move aside.



8. Remove the pin-type retainers.
9. Release the J-clip at the bottom of the backrest trim cover and release the trim cover hook and loop strips at the back.
10. **NOTE:** Use care when separating the seat backrest trim cover from the hook and loop strip. The hook and loop strip can be torn from the seat backrest foam.

Release the hook and loop strips, invert the trim cover and remove the 3 rows of hog rings.

- Invert the trim cover to the headrest guide sleeves.
11. Pull the latch release strap through the trim cover.
  12. Lift the backrest foam pad, pinch the head restraint guide together and remove the 2 head restraint guides.
  13. Remove the backrest trim cover.
  14. To install, reverse the removal procedure.