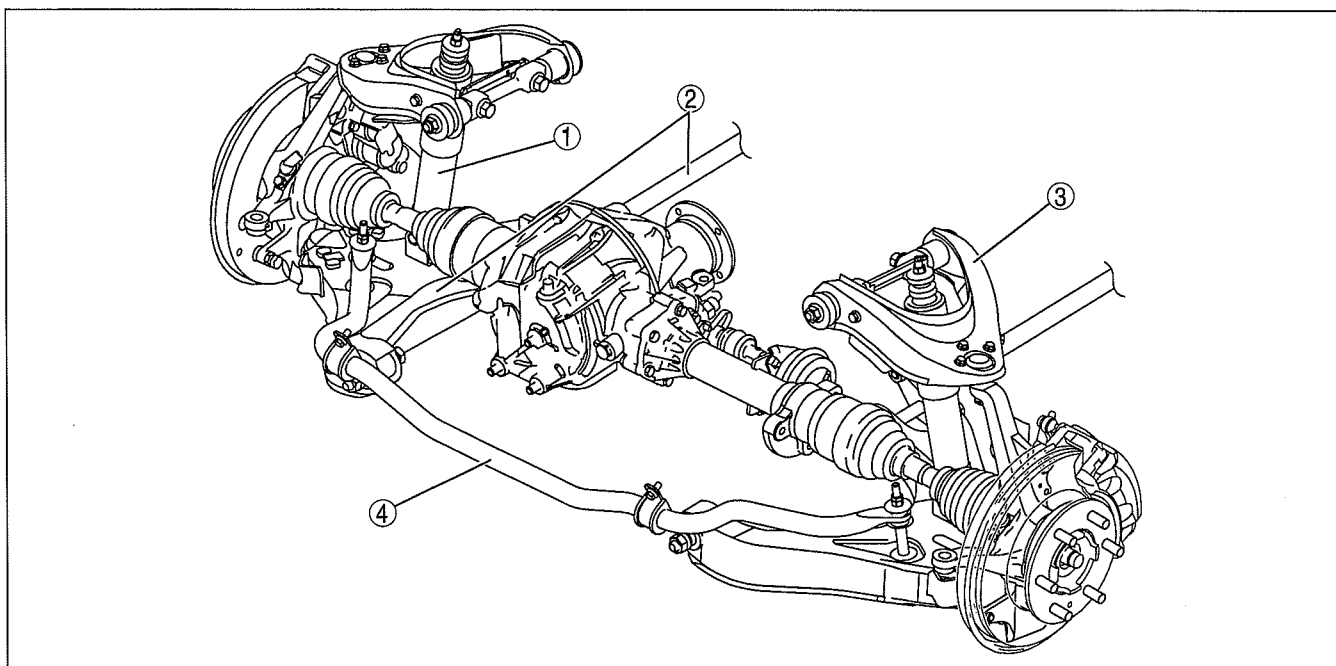


# FRONT SUSPENSION

## FRONT SUSPENSION LOCATION INDEX [4x4]

dcf02130000w03



DBG213ZWB030

02

1	Front shock absorber (See 02-13-4 FRONT SHOCK ABSORBER REMOVAL/INSTALLATION.) (See 02-13-4 FRONT SHOCK ABSORBER INSPECTION.) (See 02-13-5 FRONT SHOCK ABSORBER DISPOSAL.)
2	Torsion bar spring, lower arm (See 02-13-9 TORSION BAR SPRING AND LOWER ARM REMOVAL/INSTALLATION [Hi-Rider, 4x4].) (See 02-13-13 FRONT LOWER ARM INSPECTION.)

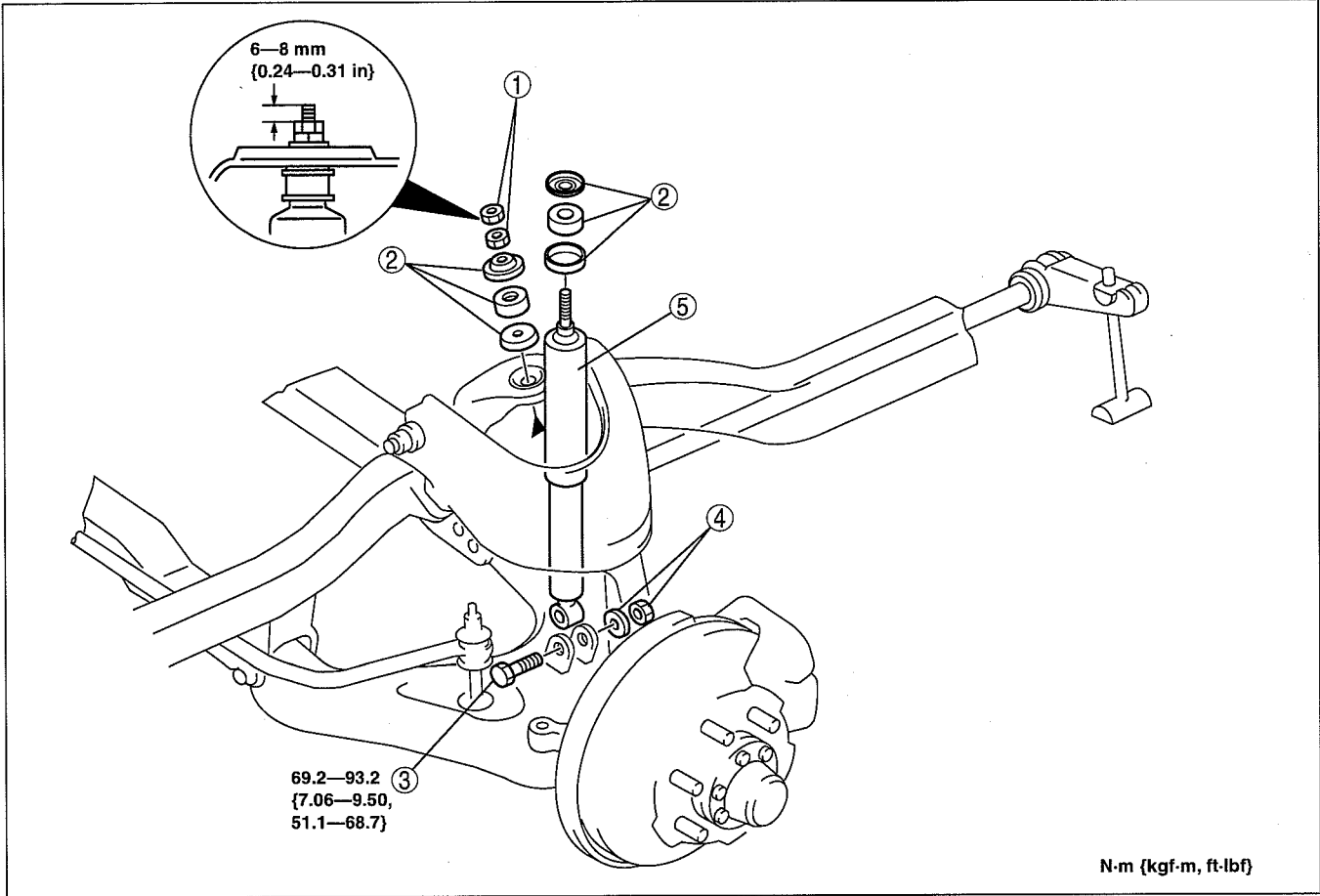
3	Front upper arm (See 02-13-14 FRONT UPPER ARM REMOVAL/INSTALLATION.) (See 02-13-16 FRONT UPPER ARM INSPECTION.)
4	Front stabilizer (See 02-13-17 FRONT STABILIZER REMOVAL/INSTALLATION [Hi-Rider, 4x4].)

# FRONT SUSPENSION

## FRONT SHOCK ABSORBER REMOVAL/INSTALLATION

dcf021334700w01

1. Remove in the order indicated in the table.
2. Install in the reverse order of removal.

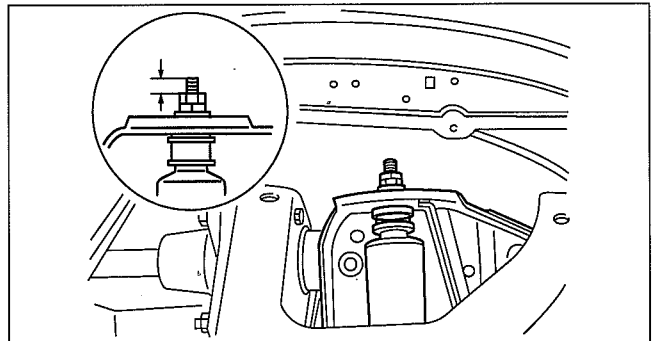


1	Nut (See 02-13-4 Nut Installation Note.)
2	Retainer, bushing

3	Bolt
4	Washer and nut
5	Front shock absorber

### Nut Installation Note

1. Tighten the nut so that the exposed thread of the shock absorber piston is **6—8 mm {0.24—0.31 in}**.



## FRONT SHOCK ABSORBER INSPECTION

dcf021334700w02

1. Remove the front shock absorber.
2. Inspect for damage and oil leakage.
3. Compress and extend the shock absorber piston rod at least three times at a steady speed. From the fourth compression stroke, verify that the operational force does not change and that there is no unusual noise.
  - If there is any malfunction, replace the shock absorber.

## FRONT SUSPENSION

### FRONT SHOCK ABSORBER DISPOSAL

dcf021334700w03

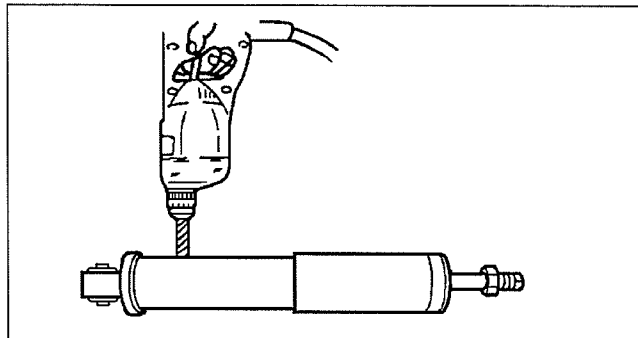
#### Warning

- Whenever drilling into a shock absorber, wear protective eye wear. The gas in the shock absorber is pressurized, and could spray metal chips into the eyes and face when drilling.

1. Clamp a shock absorber on a flat surface or with the piston pointing downwards.
2. Drill a 2—3 mm {0.08—0.12 in} hole at a point 20—30 mm {0.8—1.2 in} from the bottom of the tube, so that the gas can escape.
3. Turn the hole downwards.
4. The oil can be collected by moving the piston rod several times up and down and cutting the tube at the end.
5. Dispose of waste oil according to the waste disposal law.

#### Note

- Shock absorber gas is nitrogen gas.
- Shock absorber oil is mineral oil.



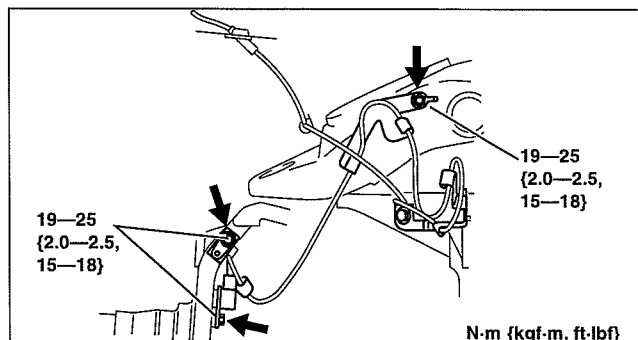
ABR7412W003

### TORSION BAR SPRING AND LOWER ARM REMOVAL/INSTALLATION [4x2 (EXCEPT Hi-Rider)]

dcf021334130w01

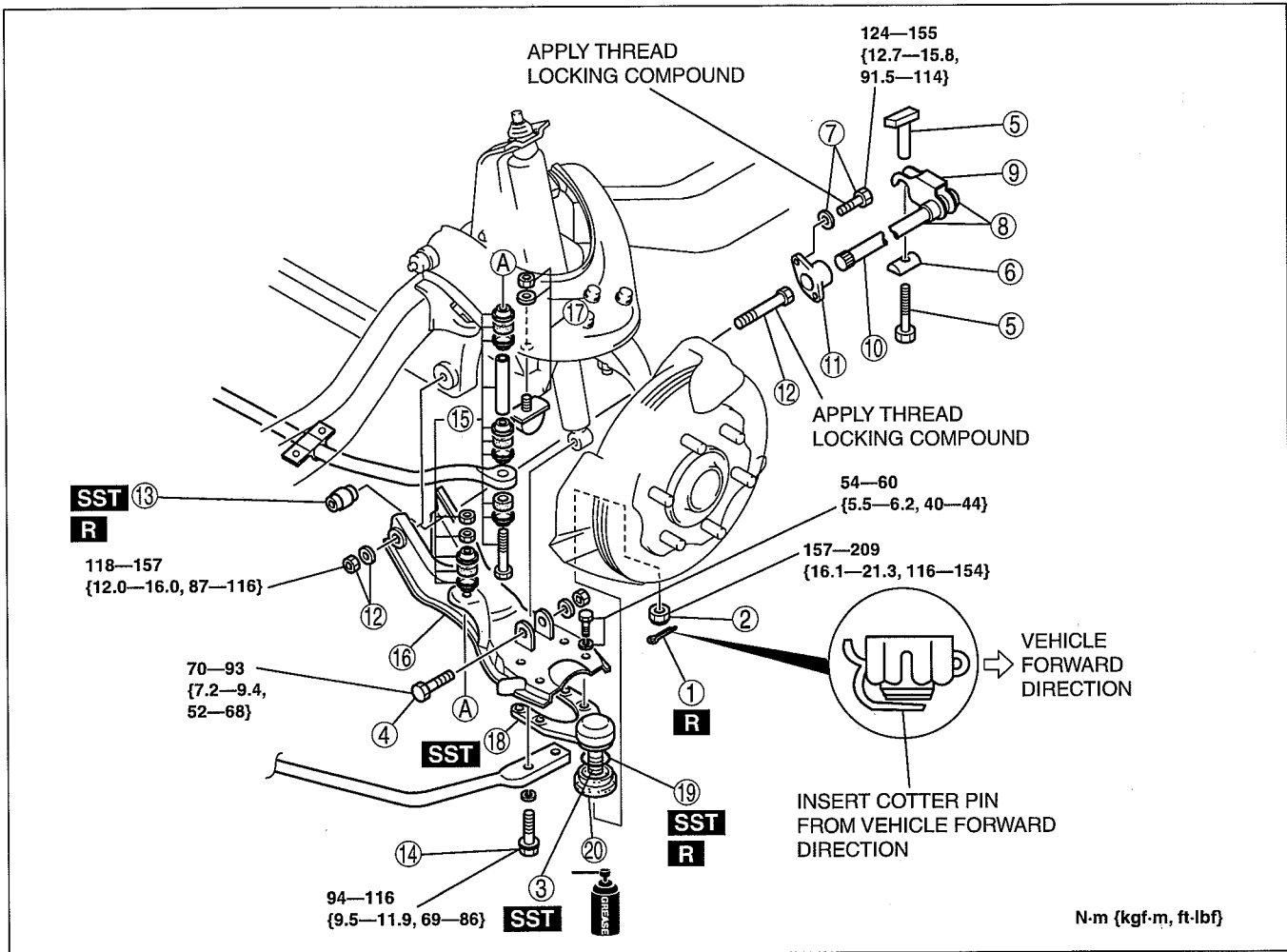
02

1. Remove the ABS sensor wiring harness brackets installed to the upper arm and steering knuckle, then move aside the ABS sensor.
2. Remove in the order indicated in the table.
3. Install in the reverse order of removal.
4. Inspect the vehicle height and adjust it if necessary. (See 02-11-1 VEHICLE HEIGHT ADJUSTMENT [4x2].)
5. Inspect the front wheel alignment and adjust it if necessary. (See 02-11-3 FRONT WHEEL ALIGNMENT [4x2].)



DBG213ZWB033

# FRONT SUSPENSION



DBG0213ZWB00

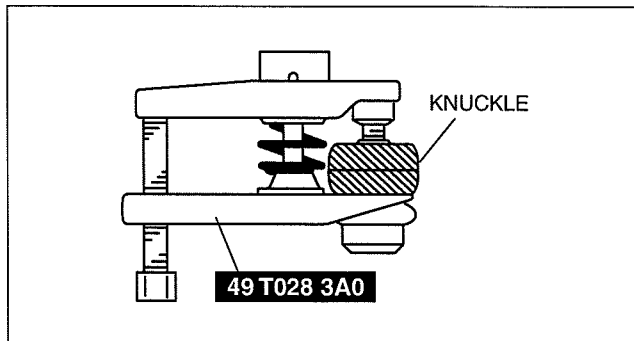
1	Cotter pin
2	Nut
3	Front lower arm ball joint (See 02-13-7 Front Lower Arm Ball Joint Removal Note.)
4	Shock absorber lower bolt and nut
5	Anchor bolt (See 02-13-7 Anchor Bolt Removal Note.) (See 02-13-9 Anchor Bolt Installation Note.)
6	Anchor swivel
7	Bolt and washer
8	Torsion bar component
9	Anchor arm
10	Torsion bar spring (See 02-13-7 Torsion Bar Spring Removal Note.) (See 02-13-8 Torsion Bar Spring Installation Note.)
11	Torque plate

12	Lower arm spindle, washer, and nut
13	Rubber bushing (See 02-13-7 Rubber Bushing Removal Note.) (See 02-13-8 Rubber Bushing Installation Note.)
14	Tension rod bolt
15	Stabilizer bolt, bushing, retainer, spacer, and nut (See 02-13-8 Stabilizer Bolt, Bushing, Retainer, Spacer, And Nut Installation Note.)
16	Front lower arm
17	Bound stopper
18	Front lower arm ball joint
19	Clip (See 02-13-8 Clip Installation Note.)
20	Dust boot
21	Clip (See 02-13-8 Clip Installation Note.)
22	Dust boot

## FRONT SUSPENSION

### Front Lower Arm Ball Joint Removal Note

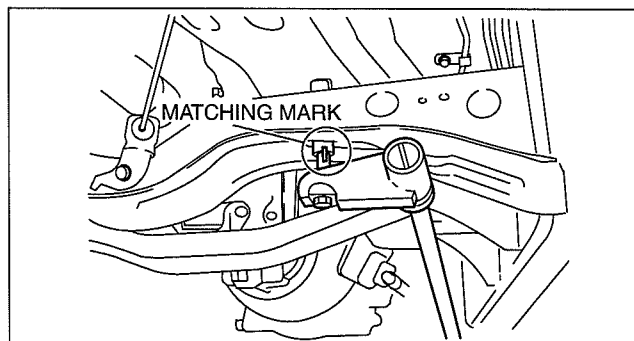
1. Separate the ball joint from the knuckle arm using the **SST**.



DBG0213ZWB00

### Anchor Bolt Removal Note

1. Mark the anchor bolt and swivel for reference during installation.

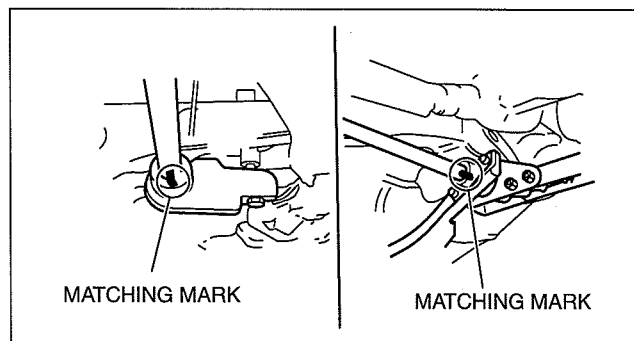


DBG0213ZWB00

02

### Torsion Bar Spring Removal Note

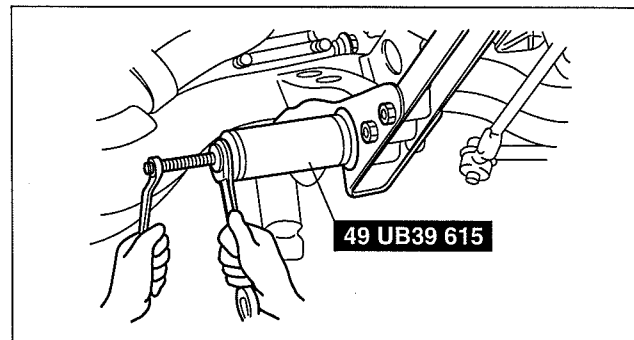
1. Mark the torsion bar spring, anchor arm, the torsion bar spring and torque plate for reference during installation.



DBG0213ZWB00

### Rubber Bushing Removal Note

1. Remove the rubber bushing from the body using the **SST**.



DBG0213ZWB00