

Headlamp Assembly

Item	Part Number	Description
1	W707594	Headlamp assembly bolts (3 required)
2	13008	Headlamp assembly
3	-	Headlamp assembly electrical connectors (part of 14290)

Removal and Installation

1. Remove the radiator grille. For additional information, refer to [Section 501-08](#) .
2. **NOTE:** There is a blind metal snap located on the lower outboard side of the headlamp assembly that is disengaged by pulling upwards on the headlamp assembly.

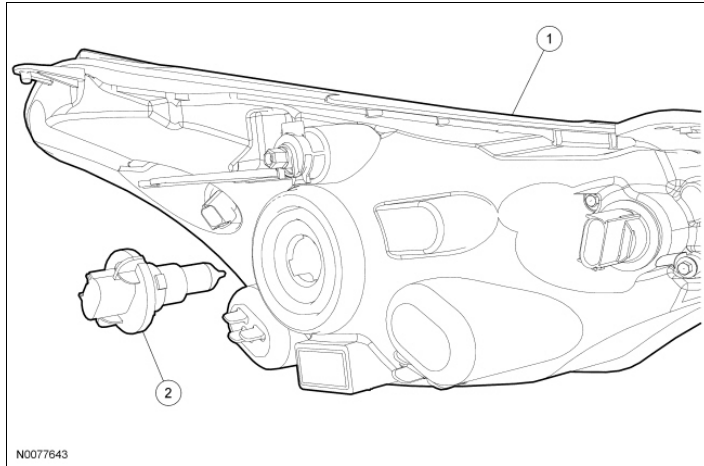
Remove the 3 bolts and the headlamp assembly.

- Disconnect the electrical connectors.

3. To install, reverse the removal procedure.
 - If necessary, adjust the headlamps. For additional information, refer to [Headlamp Adjustment](#) in this section.

Headlamp Bulb

NOTE: The headlamp assembly is shown removed for clarity.



Item	Part Number	Description
1	13008	Headlamp assembly
2	13N021	Headlamp bulb

Removal and Installation

⚠ WARNING: The bulb contains gas under pressure. The bulb may shatter if the glass envelope is scratched or if the bulb is dropped. Handle the bulb only by its base. Avoid touching the glass envelope. Failure to follow these instructions may result in personal injury.

NOTE: The headlamp bulb should not be removed from the headlamp until just before a new bulb is installed. Removing the bulb for an extended period of time may affect headlamp bulb performance. Contaminants may enter the headlamp where they can settle on the lens and reflector. Never turn on the headlamps with the bulb removed.

NOTE: Make sure the headlamp switch and the ignition switch are in the OFF position.

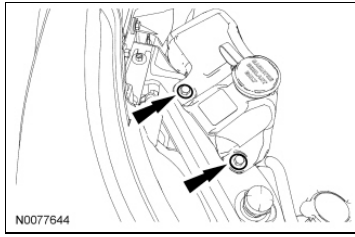
LH bulb

- NOTE:** For Partial Zero Emissions Vehicle (PZEV), the LH headlamp bulb can be accessed directly.

For non- PZEV vehicles, remove the air cleaner. For additional information, refer to [Section 303-12](#).

RH bulb

- Remove the 2 bolts and position the coolant expansion tank aside.
 - To install, tighten to 10 Nm (89 lb-in).

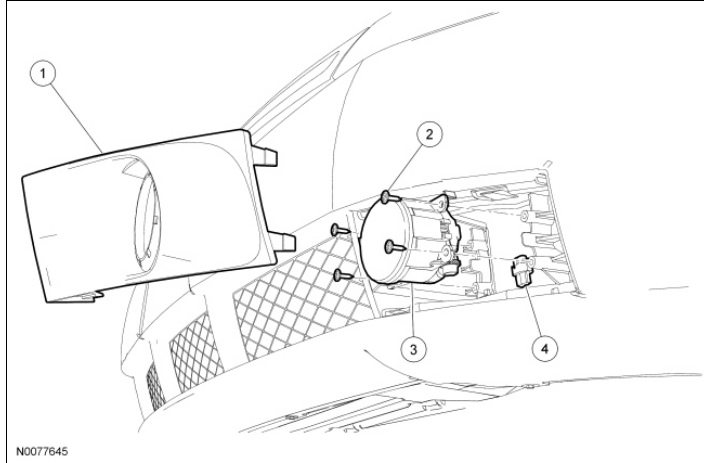


LH or RH bulb

3. Disconnect the headlamp bulb electrical connector.
 4. Rotate the headlamp bulb approximately one-eighth turn counterclockwise and remove it from the headlamp assembly.
 5. To install, reverse the removal procedure.
-

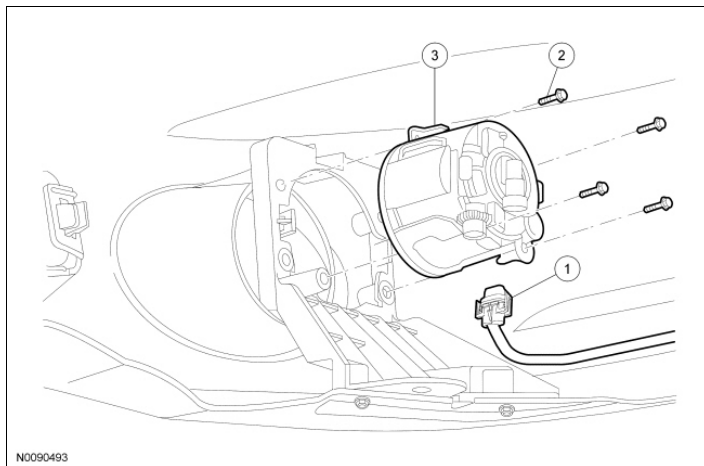
Fog Lamp

Sedan



Item	Part Number	Description
1	15266	Fog lamp bezel
2	W706805	Fog lamp screws (4 required)
3	15200	Fog lamp
4	-	Fog lamp electrical connector (part of 14290)

Coupe



Item	Part Number	Description
1	-	Fog lamp electrical connector (part of 14290)
2	N807011	Fog lamp screws (4 required)
3	15200	Fog lamp

Removal and Installation

NOTE: Make sure the headlamp switch and the ignition switch are in the OFF position.

Sedan or coupe

1. With the vehicle in NEUTRAL, position it on a hoist. For additional information, refer to Section 100-02 .

Sedan

2. Release the tabs and remove the fog lamp bezel from the front bumper cover.

Coupe

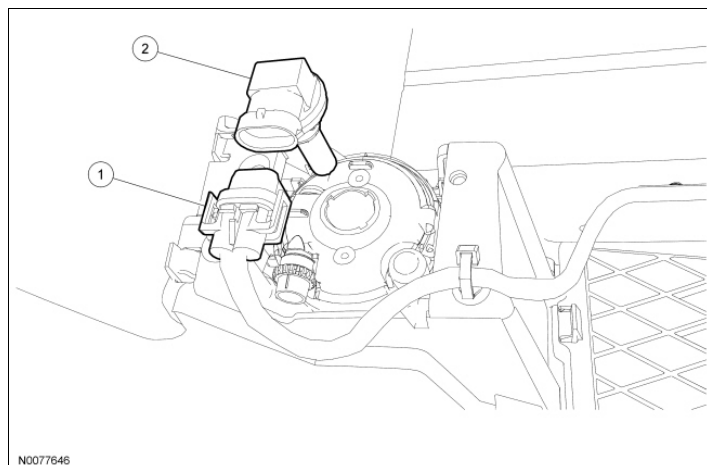
3. For the RH fog lamp, remove the horn. For additional information, refer to Section 413-06 .
4. For the LH fog lamp on Partial Zero Emissions Vehicle (PZEV) vehicles, remove the air cleaner. For additional information, refer to Section 303-12 .

Sedan or coupe

5. Disconnect the fog lamp electrical connector.
 6. Remove the 4 screws and the fog lamp.
 7. To install, reverse the removal procedure.
 - If necessary, adjust the fog lamps. For additional information, refer to Front Fog Lamp Adjustment in this section.
-

Fog Lamp Bulb

NOTE: Sedan shown, coupe similar.



Item	Part Number	Description
1	-	Fog lamp electrical connector (part of 14290)
2	13N021	Fog lamp bulb

Removal and Installation

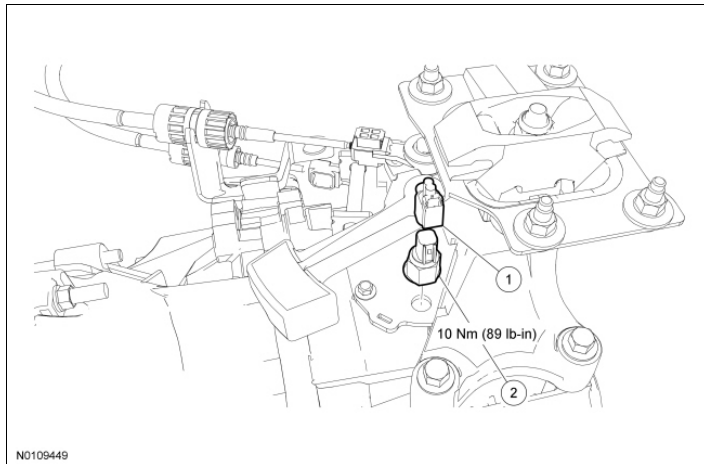
⚠ WARNING: The bulb contains gas under pressure. The bulb may shatter if the glass envelope is scratched or if the bulb is dropped. Handle the bulb only by its base. Avoid touching the glass envelope. Failure to follow these instructions may result in personal injury.

NOTE: The fog lamp bulb should not be removed from the fog lamp until just before a new bulb is installed. Removing the bulb for an extended period of time may affect fog lamp bulb performance. Contaminants may enter the fog lamp where they can settle on the lens and reflector. Never turn on the fog lamps with the bulb removed.

NOTE: Make sure that the headlamp switch and the ignition switch are in the OFF position.

1. With the vehicle in NEUTRAL, position it on a hoist. For additional information, refer to [Section 100-02](#).
2. **NOTE:** Rotate the fog lamp counterclockwise approximately one-eighth turn to remove.

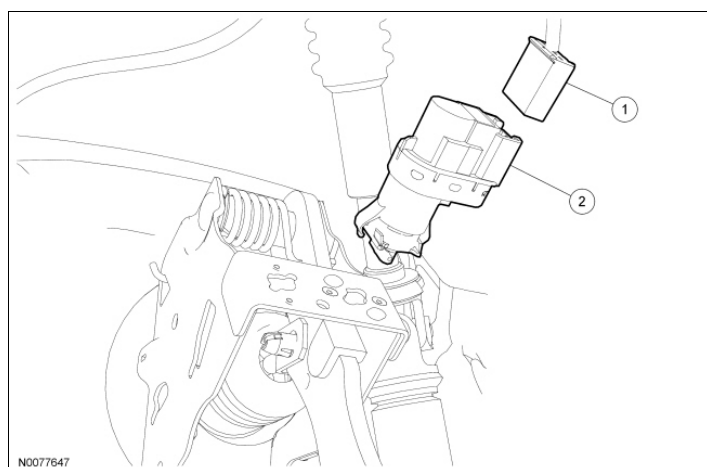
Disconnect the electrical connector and remove the fog lamp bulb.
3. To install, reverse the removal procedure.

Reversing Lamp Switch

Item	Part Number	Description
1	-	Reversing lamp switch electrical connector (part of 13A690)
2	15520	Reversing lamp switch

Removal and Installation

1. Remove the battery tray. For additional information, refer to [Section 414-01](#).
2. Disconnect the electrical connector and remove the reversing lamp switch.
 - To install, tighten to 10 Nm (89 lb-in).
3. To install, reverse the removal procedure.

Stoplamp Switch

Item	Part Number	Description
1	-	Stoplamp switch electrical connector (part of 14401)
2	13480	Stoplamp lamp switch

Removal and Installation

NOTICE: Do not press the brake pedal when installing or removing the stoplamp switch or damage to the stoplamp switch can occur.

1. Disconnect the stoplamp switch electrical connector.
2. Rotate the stoplamp switch clockwise 45 degrees and remove the stoplamp switch.
3. **NOTE:** The stoplamp switch is self-adjusting. Do not press the brake pedal during installation. Initial installation of the stoplamp switch allows for one adjustment only. If additional adjustments are necessary, install a new stoplamp switch.

To install, reverse the removal procedure.