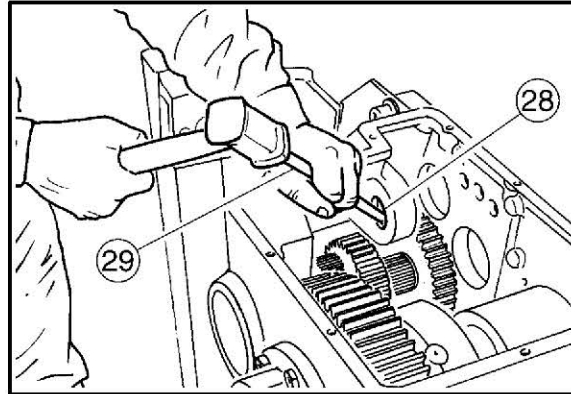


Remove the inner bearing ring nut (28) using a drift (29).

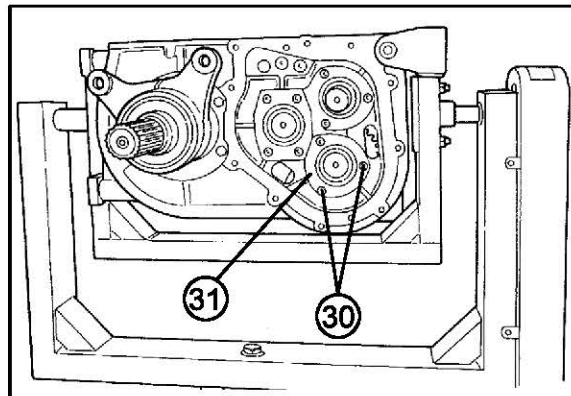


27

**Op. 2114550**  
**Transmission shaft**

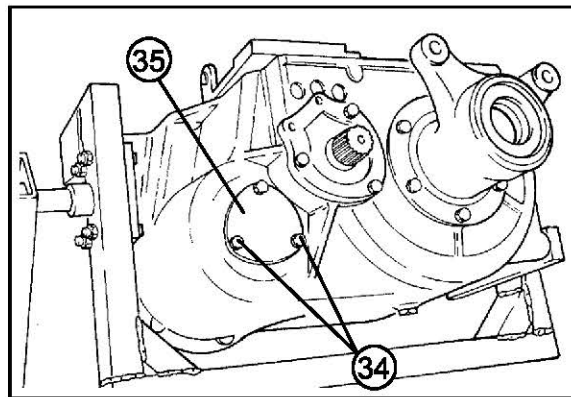
**Disassembly**

Remove the screws (30) and the flange (31).



28

Remove the screws (34) and the flange (35).



29

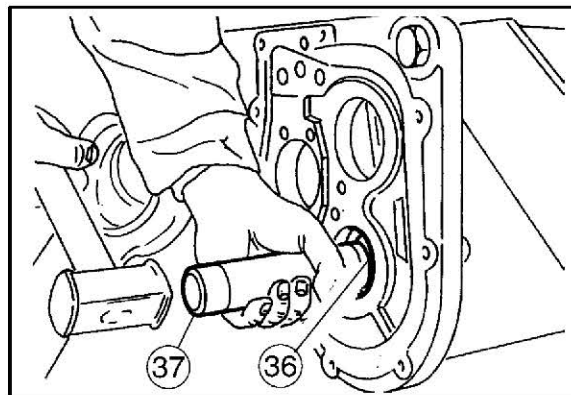


**WARNING**



Handle all parts with the utmost care. Do not put hands and fingers between parts. Wear the suitable safety clothing, such as goggles, gloves and safety shoes.

Move the shaft (36) until the ring nut of the bearing comes out on the opposite side, using a bronze drift (37).



30