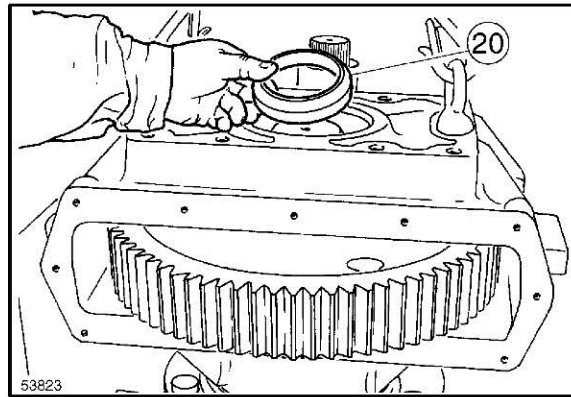
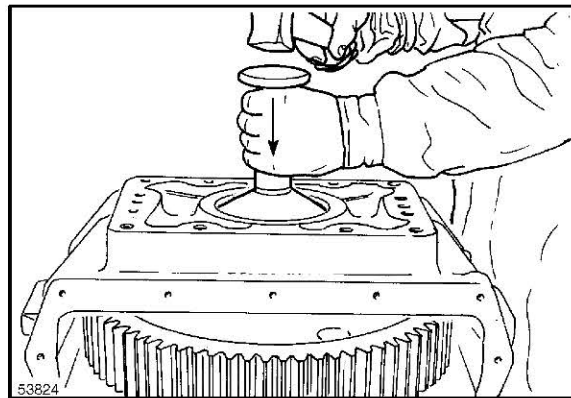


Engage the spacer (20) on the wheel axle, with the bevelled edge upwards (outer side).



27

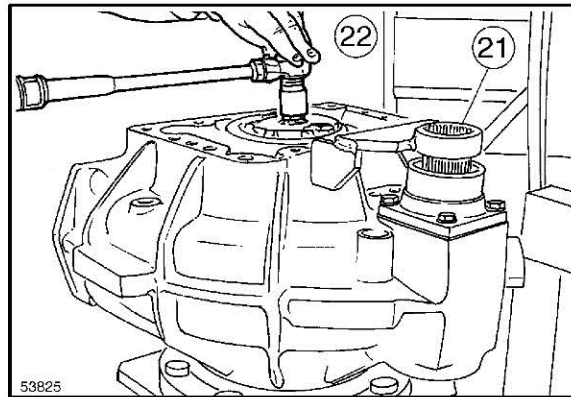
After lubricating the housing, fit the wheel axle inner bearing using a suitably-sized drift.



28

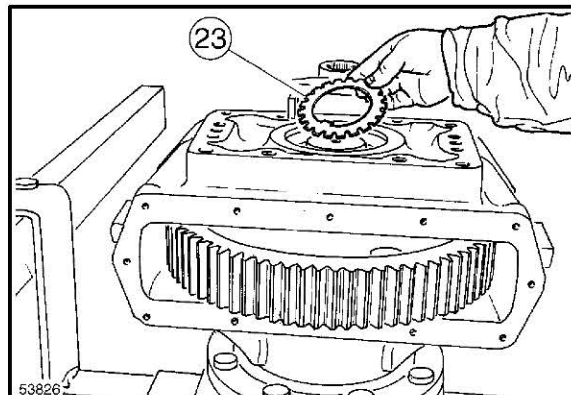
Engage the special tool (21) re. 51013 (see dimensions on page 6) to lock the pinion movement. Screw the ring nut on the wheel axle, tightening at the torque of 400/500 Nm, using the special wrench (22) re. 296124.

Remove the tool (21) to make the housing rotate by 3/4 turns, then position it again. Loosen the ring nut, then tighten it again at 300 Nm.



29

Engage the lock washer (23).



30