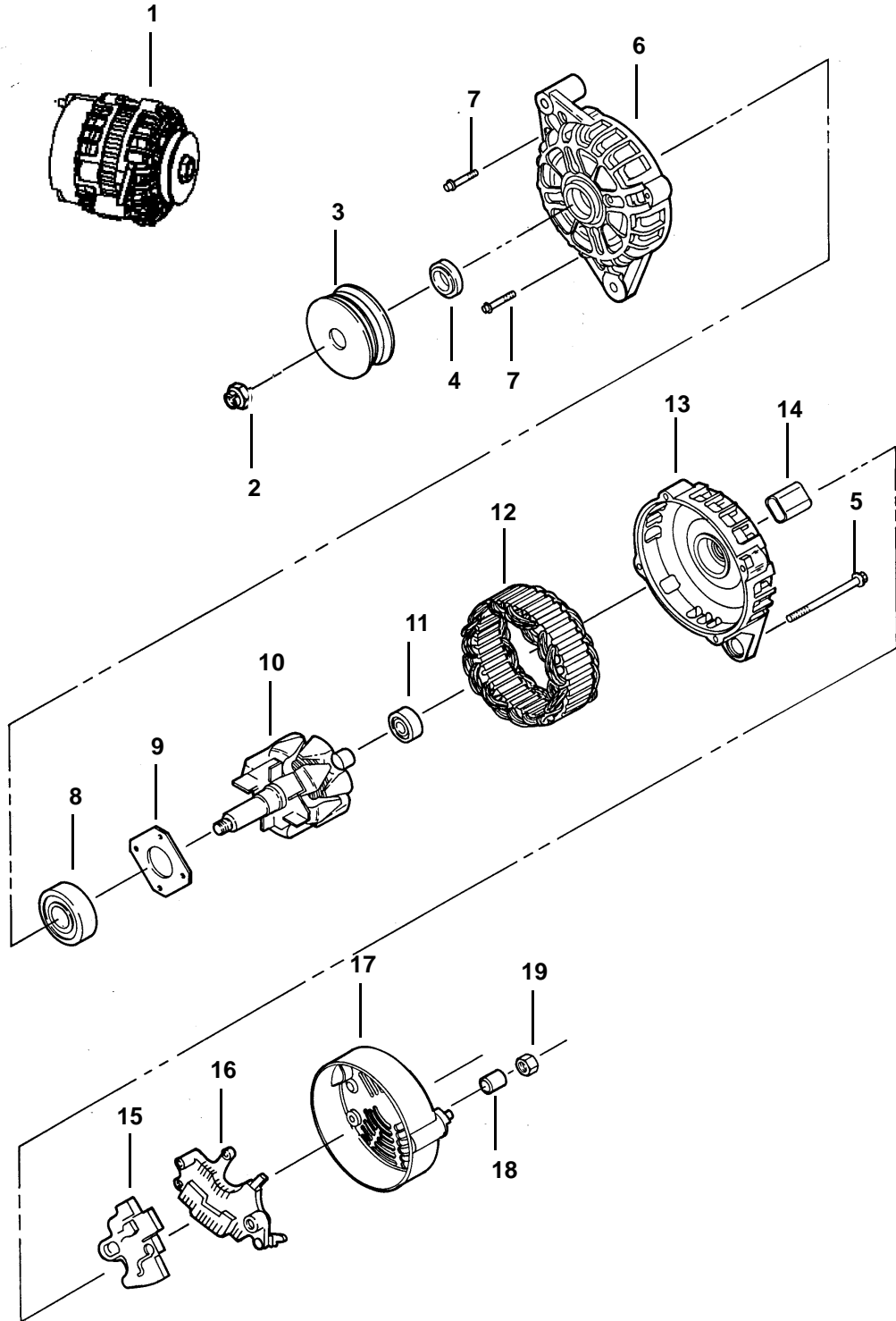


ALTERNATOR (CONT'D)

Parts Identification

- 1. Alternator
- 2. Nut
- 3. Pulley
- 4. Spacer
- 5. Bolt
- 6. Case half
- 7. Bolt
- 8. Bearing
- 9. Retainer
- 10. Rotor
- 11. Bearing
- 12. Stator
- 13. Case half
- 14. Sleeve
- 15. Regulator
- 16. Rectifier
- 17. Cover
- 18. Spacer
- 19. Nut



C-3529

STARTER

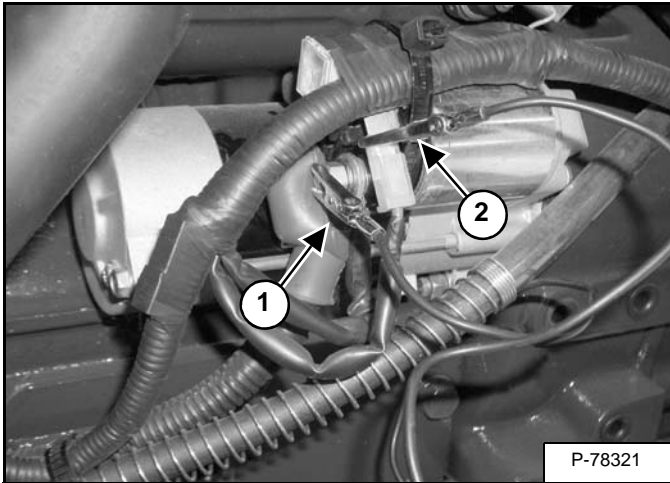
Testing

The key switch must be in the OFF position.

The battery must be at full charge.

The cable connections on the battery must be clean and tight.

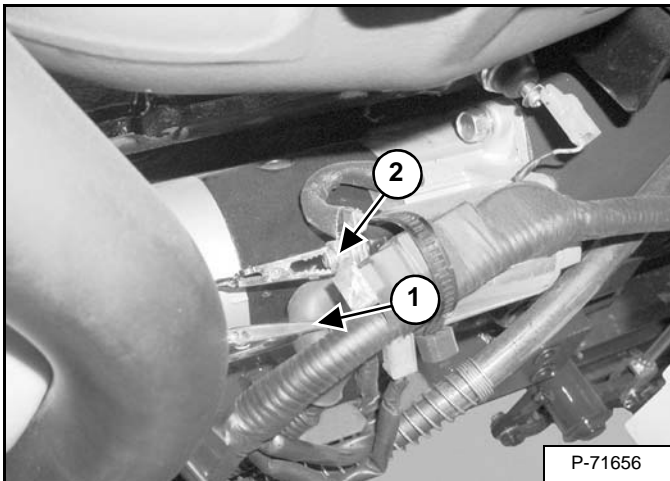
Figure 60-40-1



Connect a jumper wire between the battery terminal (Item 1) and the solenoid terminal (Item 2) **[Figure 60-40-1]**.

If the starter turns but does not turn the engine, the starter drive has a defect.

Figure 60-40-2



Connect a jumper wire between the battery terminal (Item 1) and motor terminal (Item 2) **[Figure 60-40-2]**.

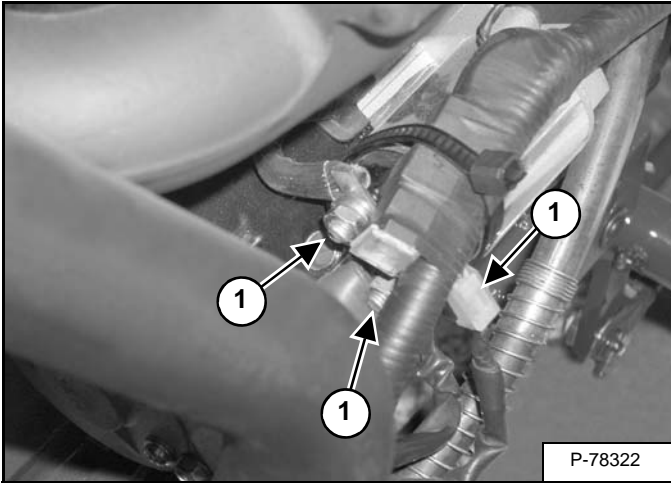
If the starter turns but does not turn the engine, the starter drive has a defect.

STARTER (CONT'D)

Removal And Installation

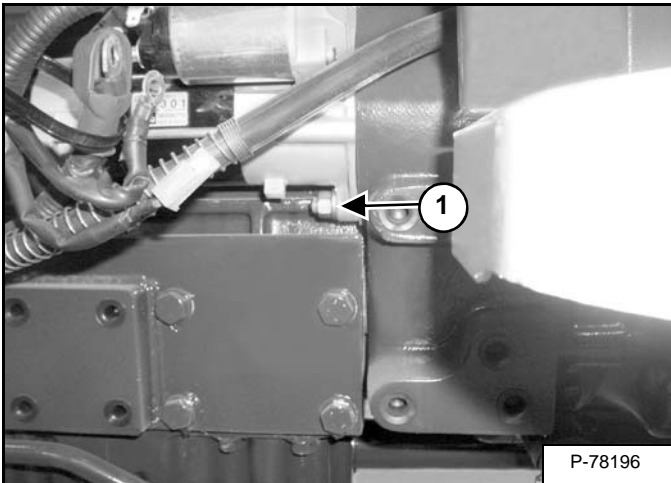
Disconnect the negative (-) cable from the battery.

Figure 60-40-3



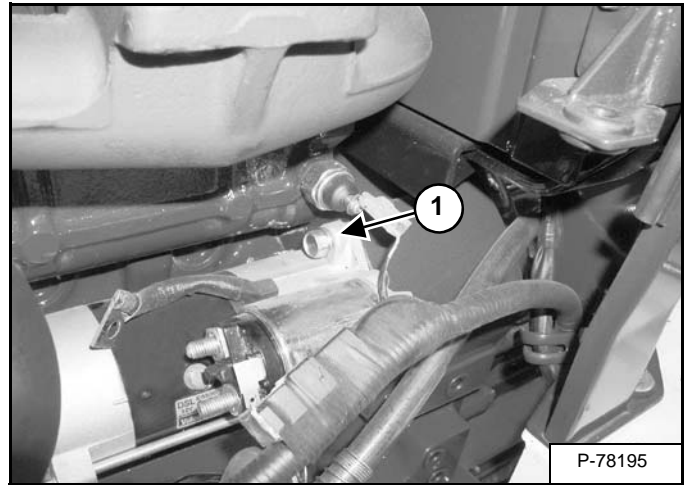
Disconnect the wires (Item 1) [Figure 60-40-3] from the starter.

Figure 60-40-4



Remove the bottom nut (Item 1) [Figure 60-40-4].

Figure 60-40-5



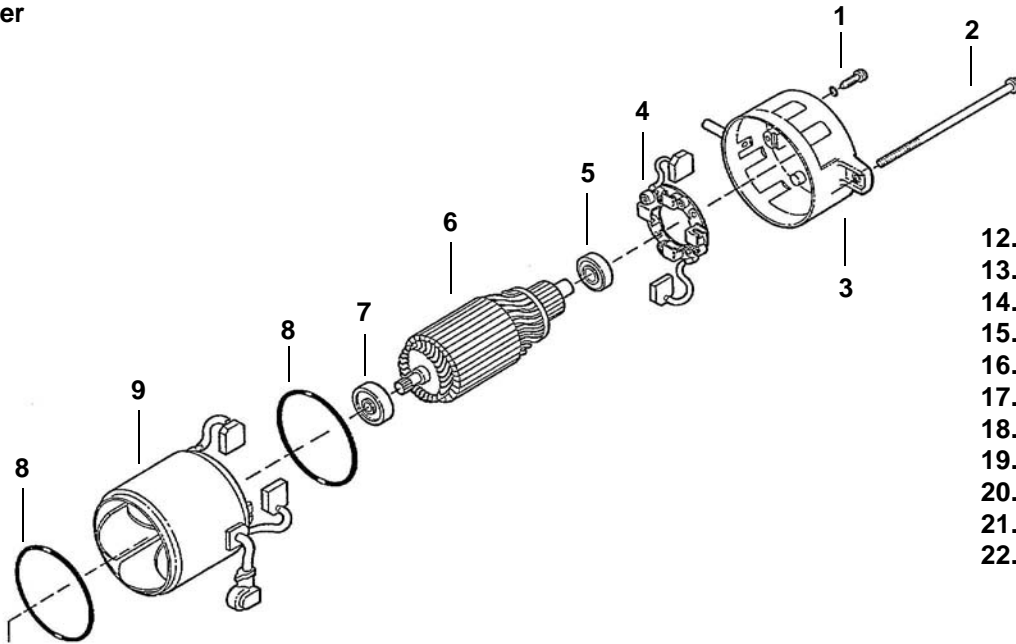
Remove the top bolt (Item 1) [Figure 60-40-5].

Remove the starter.

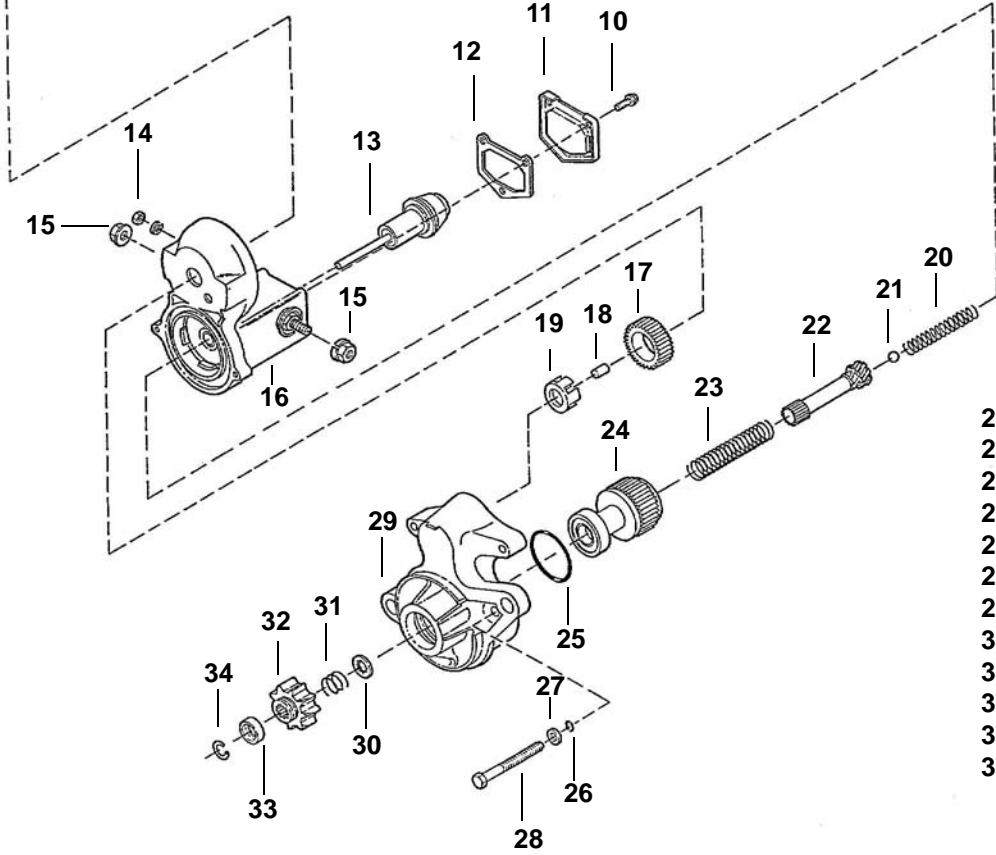
STARTER (CONT'D)

Parts Identification

- 1. Screw
- 2. Bolt
- 3. Brush Cover
- 4. Brush Holder
- 5. Bearing
- 6. Armature
- 7. Bearing
- 8. O-ring
- 9. Frame
- 10. Bolt
- 11. Cover



- 12. Gasket
- 13. Switch
- 14. Nut
- 15. Nut
- 16. Housing
- 17. Idler Gear
- 18. Roller
- 19. Retainer
- 20. Spring
- 21. Ball
- 22. Pinion Shaft



- 23. Spring
- 24. Clutch
- 25. O-ring
- 26. O-ring
- 27. Washer
- 28. Bolt
- 29. Housing
- 30. Spring Seat
- 31. Spring
- 32. Pinion Gear
- 33. Collar
- 34. Snap Ring

D-2396