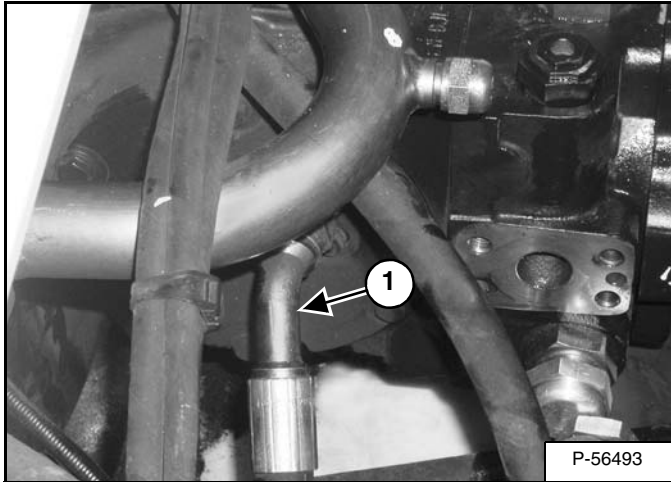


HYDROSTATIC PUMP (CONT'D)

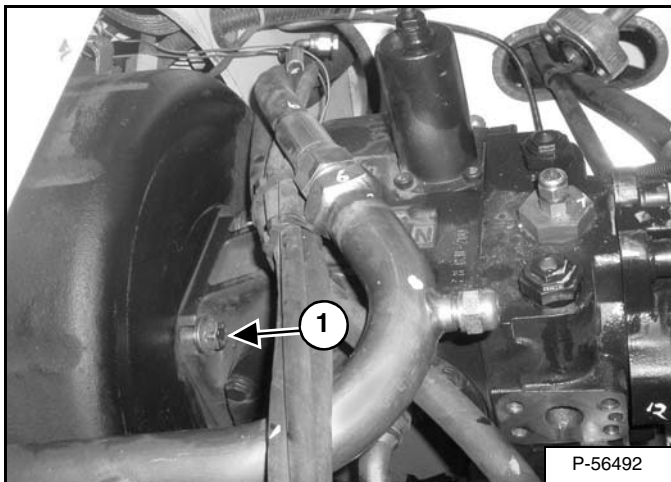
Removal And Installation (Cont'd)

Figure 30-40-8



Remove the hose (Item 1) [Figure 30-40-8].

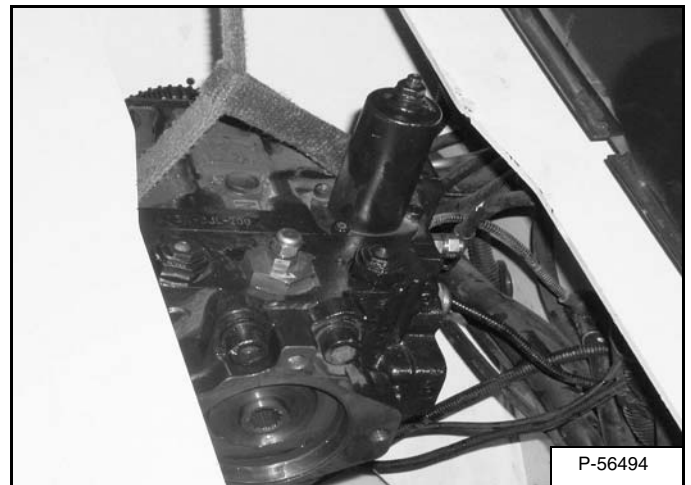
Figure 30-40-9



Install a chain hoist and lifting strap to lift and support the pump.

Remove the four mounting bolts (Item 1) [Figure 30-40-9].

Figure 30-40-10



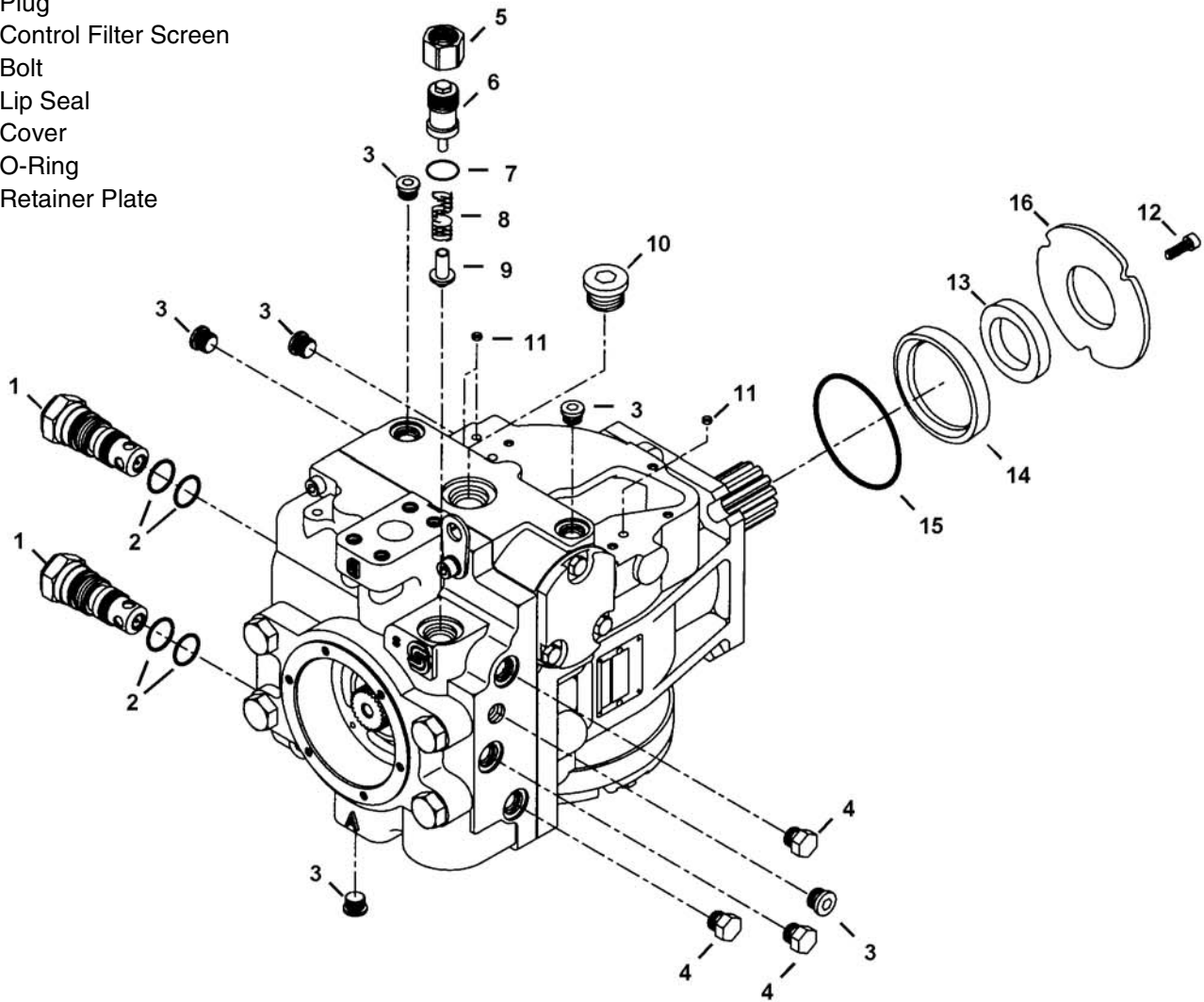
Lift and remove the hydrostatic pump [Figure 30-40-10].

NOTE: It can be necessary to remove fittings from the pump for complete removal.

HYDROSTATIC PUMP (CONT'D)

Parts Identification

1. Multi-Function Valve Assembly
2. O-Ring
3. Plug
4. Plug
5. Nut
6. Charge Relief
7. O-Ring
8. Spring
9. Poppet
10. Plug
11. Control Filter Screen
12. Bolt
13. Lip Seal
14. Cover
15. O-Ring
16. Retainer Plate

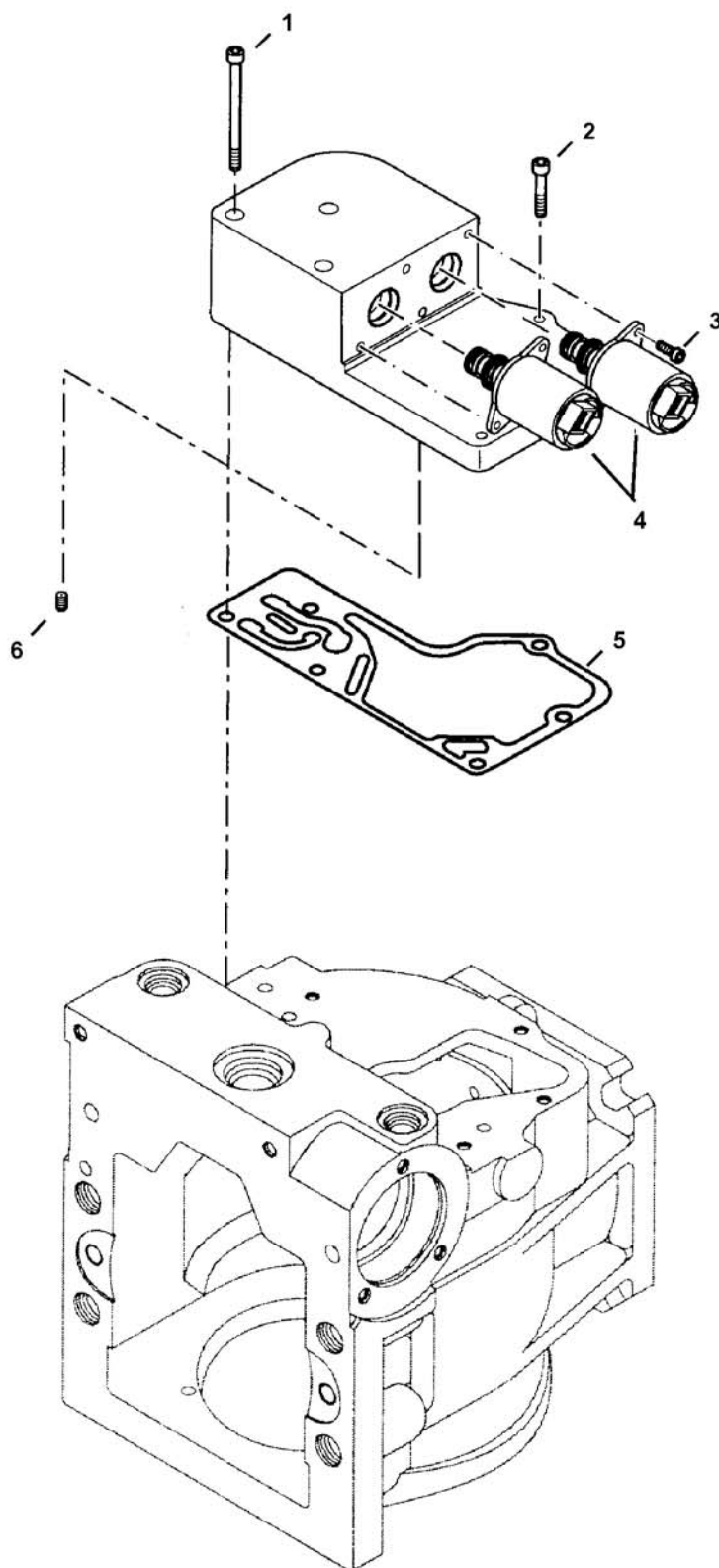


B-15899

HYDROSTATIC PUMP (CONT'D)

Parts Identification (Cont'd)

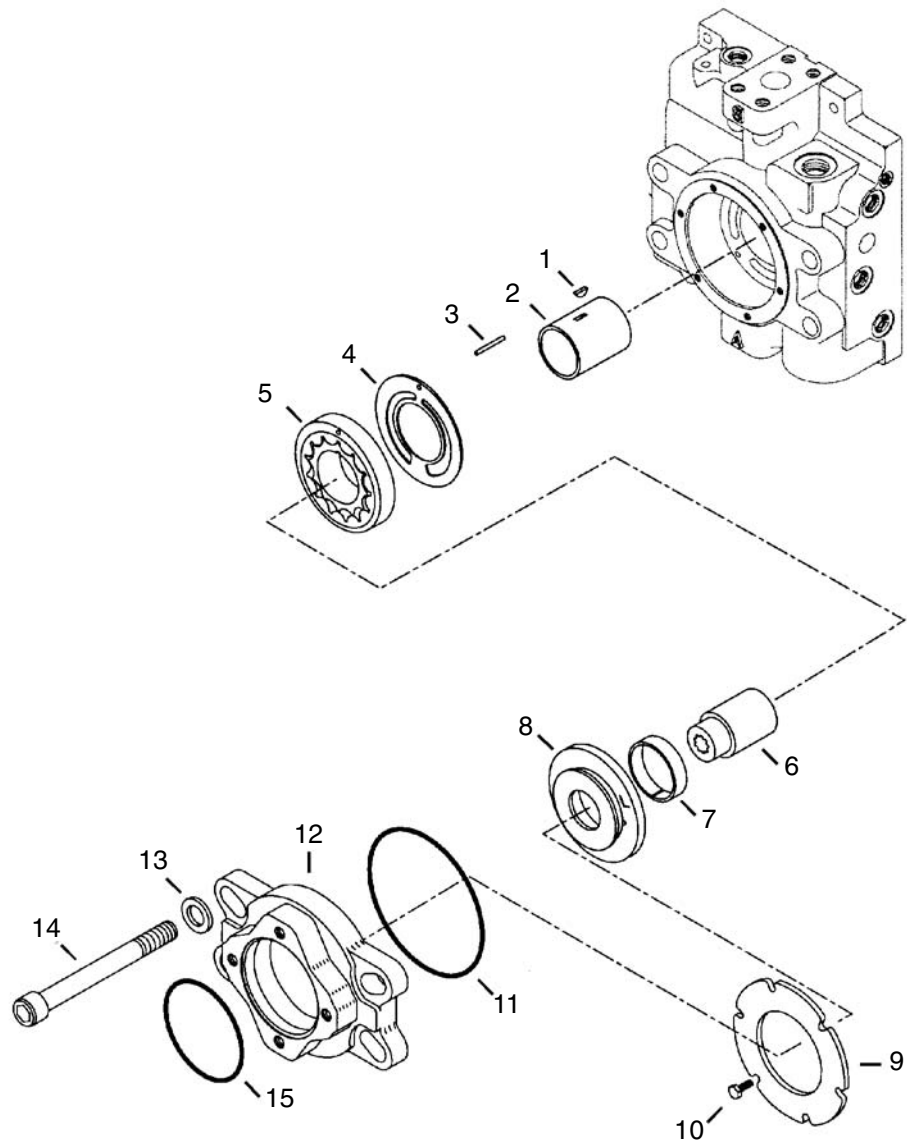
1. Bolt
2. Bolt
3. Bolt
4. Solenoid
5. Gasket
6. Plug



B-15900

HYDROSTATIC PUMP (CONT'D)

Parts Identification (Cont'd)



1. Key
2. Charge Pump Shaft
3. Pin
4. Wear Plate
5. Gears
6. Coupling
7. Seal
8. Charge Pump Cover
9. Retaining Plate
10. Bolt
11. O-Ring
12. Flange Adapter
13. Washer
14. Bolt
15. O-Ring

B-23195