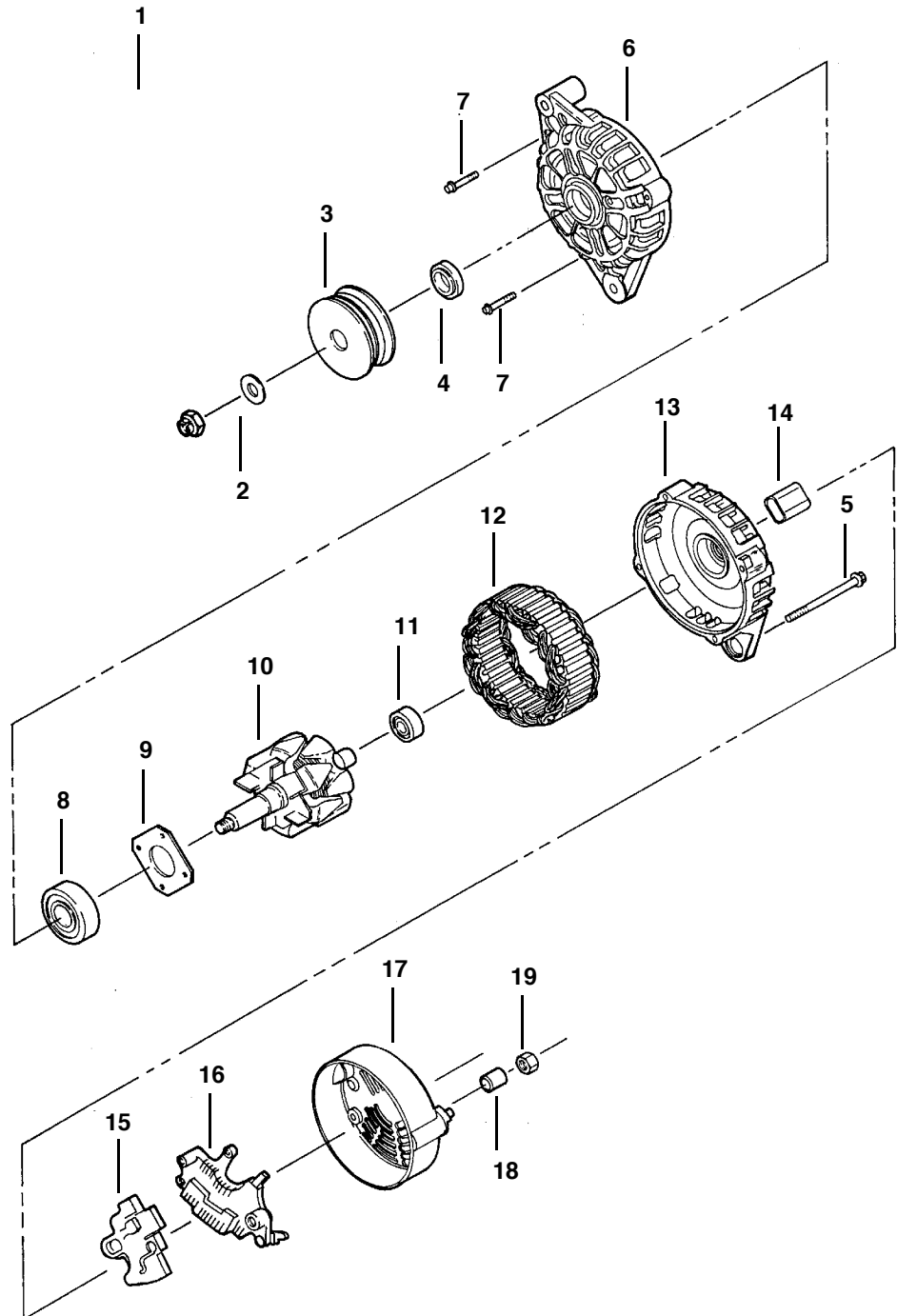


ALTERNATOR (CONT'D)

Parts Identification

- 1. Alternator
- 2. Nut
- 3. Pulley
- 4. Spacer
- 5. Bolt
- 6. Case Half
- 7. Bolt
- 8. Bearing
- 9. Retainer
- 10. Rotor
- 11. Bearing
- 12. Stator
- 13. Case Half
- 14. Sleeve
- 15. Regulator
- 16. Rectifier
- 17. Cover
- 18. Spacer
- 19. Nut



C-3529

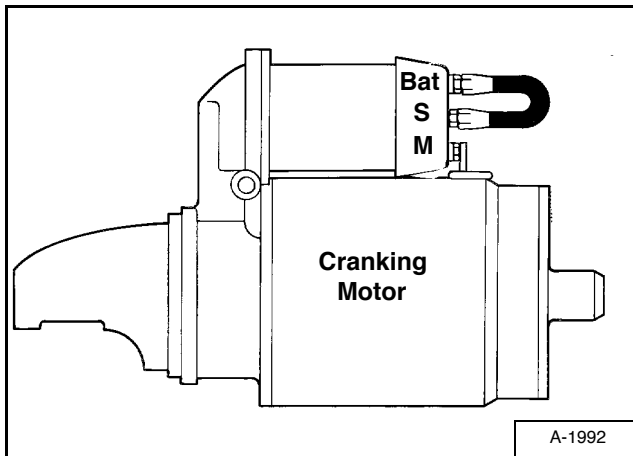


Bobcat®

STARTER

Testing

Figure 50-40-1



The key switch must be in the OFF position.

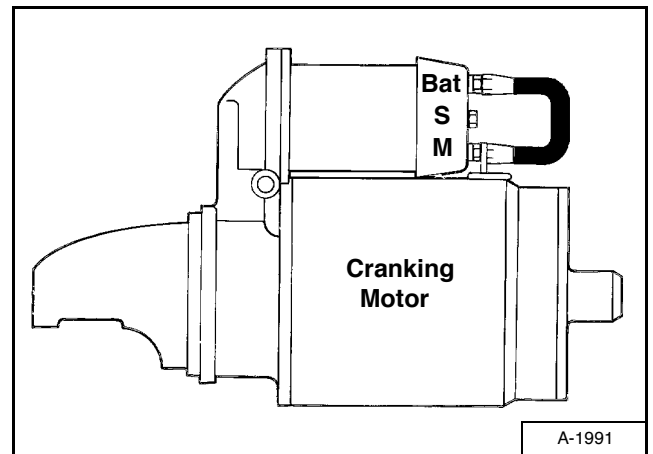
The battery must be at full charge.

The cable connections on the battery must be clean and tight.

Connect a jumper wire between S terminal and BAT terminal [Figure 50-40-1].

If the starter turns but does not turn the engine, the starter drive has a defect.

Figure 50-40-2



Connect a jumper wire (of at least 4 gauge in size) between the M terminal and the BAT terminal [Figure 50-40-2].

If the starter turns, the defect is in the solenoid.

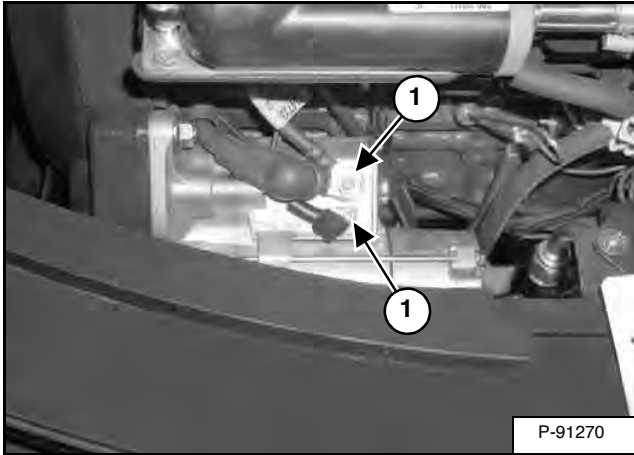
If the starter does not turn, the starter is defective.

STARTER (CONT'D)

Removal And Installation

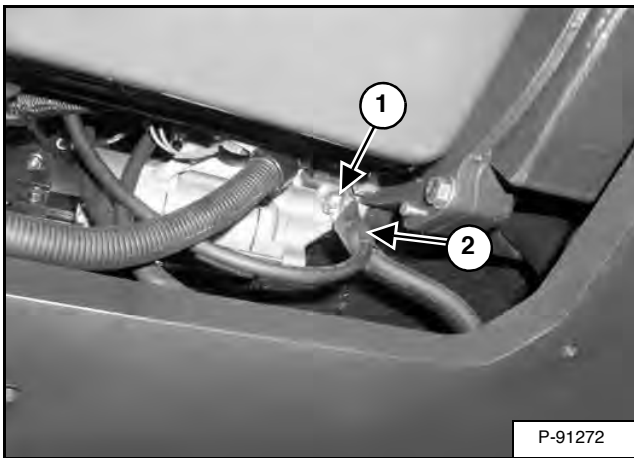
Disconnect the negative (-) cable from the battery. (See Removal And Installation on Page 50-20-2.)

Figure 50-40-3



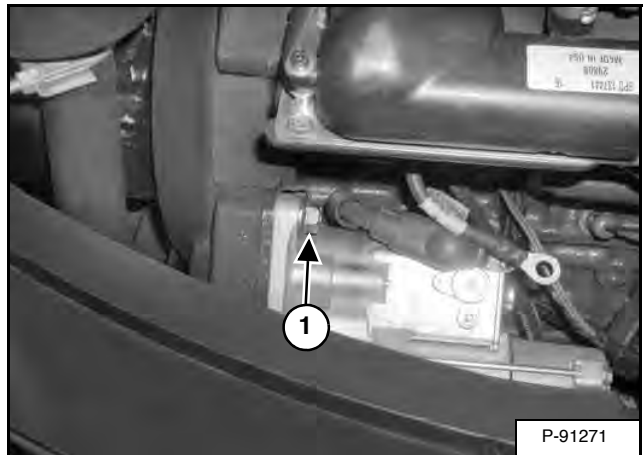
Disconnect the wires (Item 1) [Figure 50-40-3] from the starter.

Figure 50-40-4



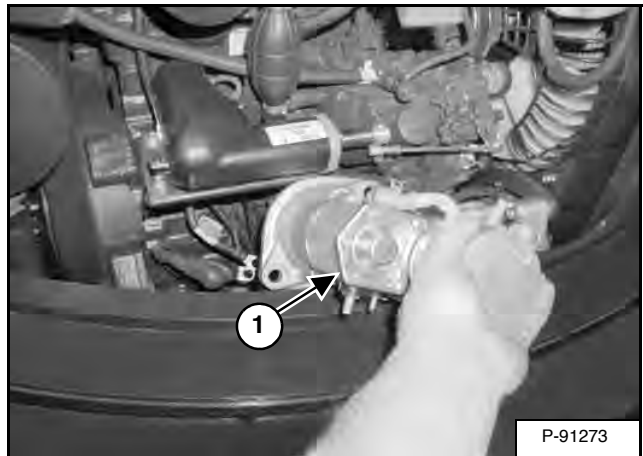
Remove the bottom bolt (Item 1) and ground cable (Item 2) [Figure 50-40-4].

Figure 50-40-5



Remove the top bolt (Item 1) [Figure 50-40-5].

Figure 50-40-6



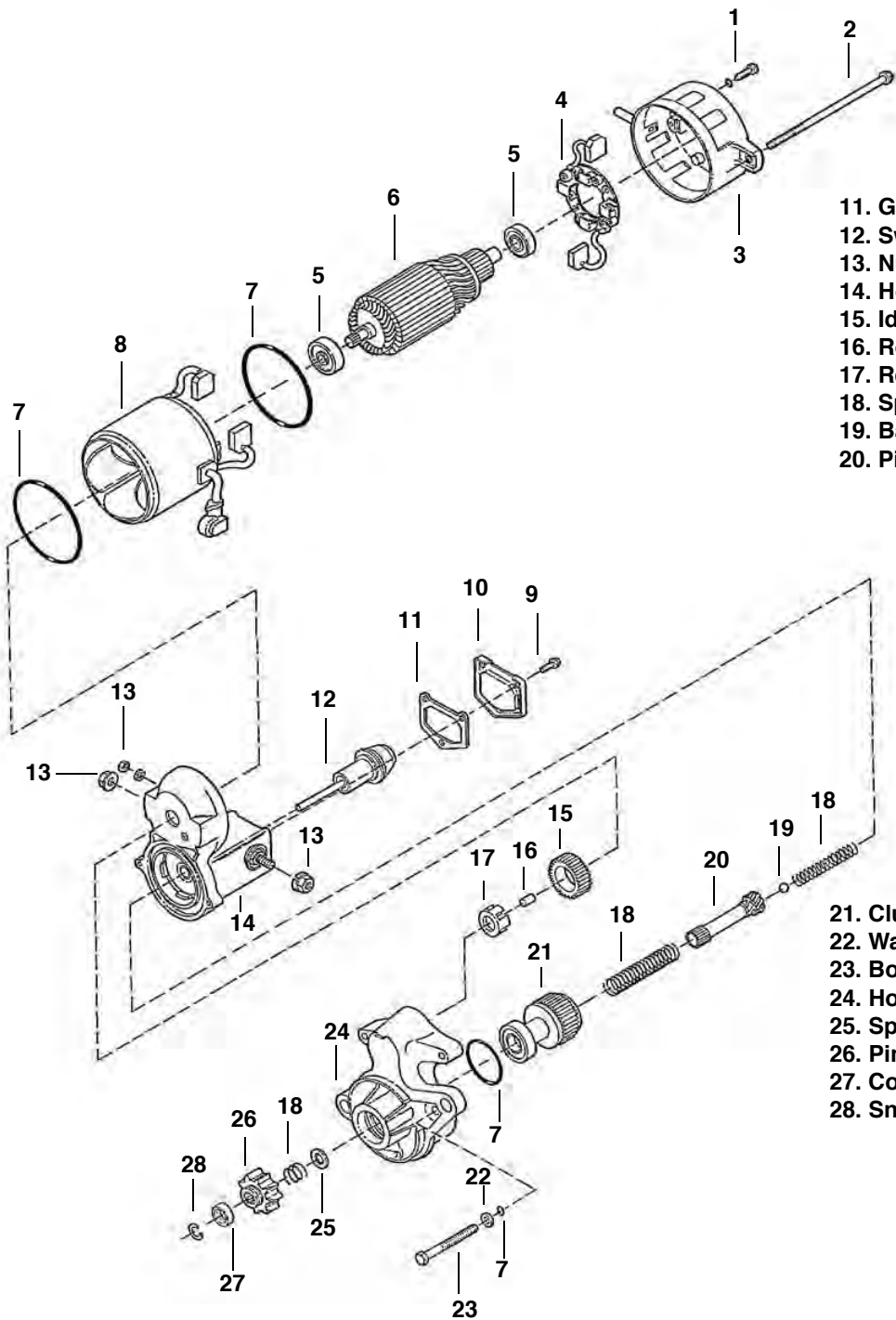
Remove the starter (Item 1) [Figure 50-40-6].

STARTER (CONT'D)

Parts Identification

- 1. Screw
- 2. Bolt
- 3. Brush Cover
- 4. Brush Holder
- 5. Bearing
- 6. Armature
- 7. O-ring
- 8. Frame
- 9. Bolt
- 10. Cover

- 11. Gasket
- 12. Switch
- 13. Nut
- 14. Housing
- 15. Idler Gear
- 16. Roller
- 17. Retainer
- 18. Spring
- 19. Ball
- 20. Pinion Shaft



- 21. Clutch
- 22. Washer
- 23. Bolt
- 24. Housing
- 25. Spring Seat
- 26. Pinion Gear
- 27. Collar
- 28. Snap Ring

D-2396