

Straw Spreader

FIG. 206: Install the drive belt (1) onto the driven sheave (2) on the cross shaft of the straw spreader.

NOTE: Note the selected speed position (high speed or low speed) that the drive belt was in when removed.

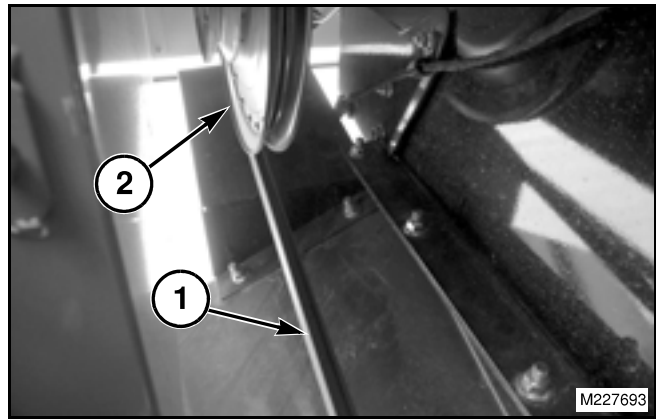


FIG. 206

FIGS. 207–208: Install the two capscrews (1) with lock nuts to secure the driven sheave shield (2) to the curtain extension (3). Tighten the lock nuts.

Install the two capscrews (4) with the lock nuts fastening the shield (5) to the drive sheave shield (2).

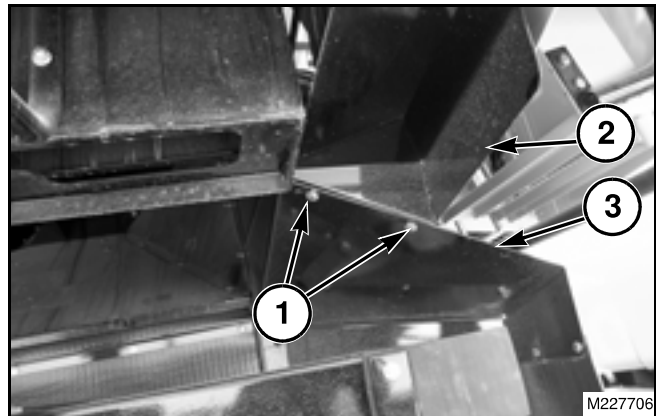


FIG. 207

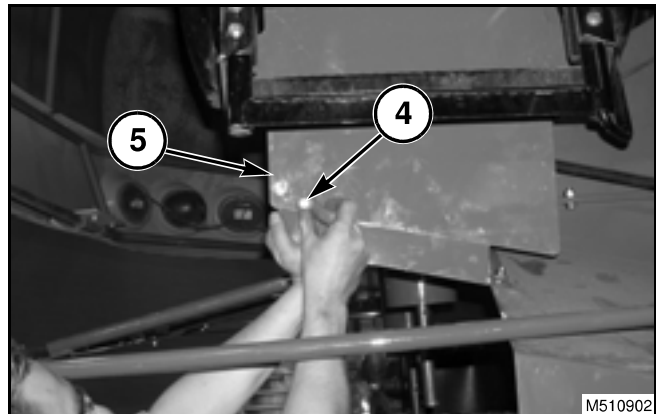


FIG. 208

FIG. 209: Install and adjust the secondary drive belt (1) using the procedure found in this section of the manual.



WARNING: Install all of the shields and guards before operating the combine.

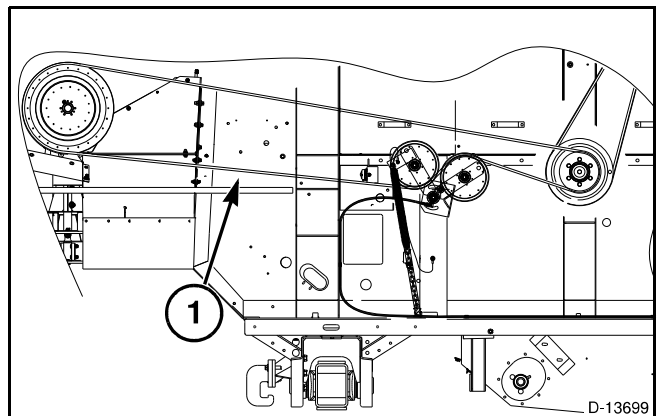


FIG. 209