

750800 A

Figure 1 - Radiator and Hydraulic Oil Cooler Installation, Gas and Diesel Engine

RADIATOR REMOVAL AND INSTALLATION

1. Swing rear counterweight to the right.
2. Have on hand cap (part no. 218-335) to install on cross fitting in the oil cooler circuit to prevent draining the hydraulic reservoir.
3. Remove accumulated dirt from oil cooler circuit fittings (tee and cross) and drain the cooling system.
4. Loosen top clamp on upper radiator hose and remove hose from radiator.
5. Loosen top hose clamp on lower radiator hose and remove hose from engine.
6. Remove nuts, lock washers, and flat washers from radiator mounting studs.
7. Remove upper mounting bracket to frame bolts, nuts, lock washers and flat washers.
8. Disconnect oil cooler tubes at the tee and cross fittings and install cap on cross fitting.
9. Lift radiator clear of lower mounting bracket and remove radiator from machine.
10. Reverse the preceding steps to install the radiator.
11. If permanent antifreeze is not used in the cooling system, make sure a rust inhibitor and water pump lubricant is added.

REPLACING THERMOSTAT ON GAS ENGINE

NOTE: Two types of thermostats are packaged under the same part number. Each thermostat can be used to replace the other.

1. Drain radiator to a level below the bottom of the cylinder head.
2. Remove the upper radiator hose.
3. Remove bottom hose clamp from hose and carefully remove thermostat to prevent damage to the hose.
4. Refer to Figure 2 and start thermostat into radiator hose.
5. Start hose onto thermostat housing and push down until hose touches ribs on housing or thermostat contacts the clamp support.
6. Connect hose to radiator and tighten hose clamps.
7. Fill radiator, start engine and check for leaks.

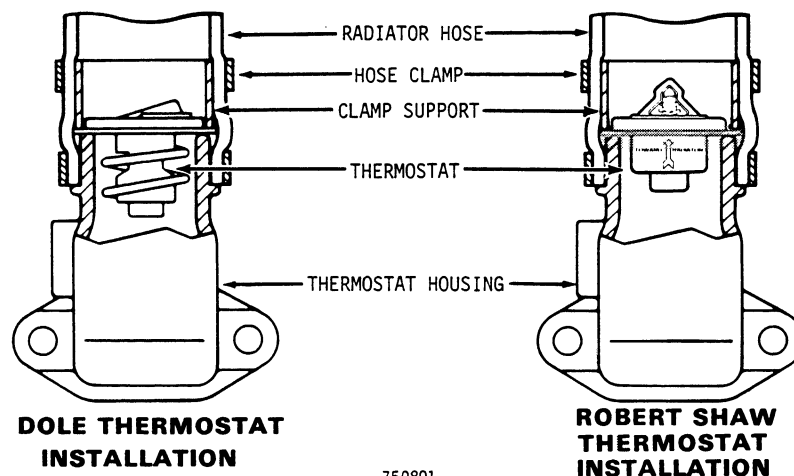


Figure 2 - Thermostat Installation

INSTALLING NEW UPPER RADIATOR HOSE ON GAS ENGINE

1. Slit old hose for simple removal of thermostat and clamp support, Figure 1.
2. Refer to Figure 2 and place thermostat in housing.
3. Start hose onto clamp support. Then place support on thermostat and push
4. Place hose clamp over clamp support and tighten clamp.
5. Connect hose the radiator and tighten the hose clamps.

Section 2055

COOLING SYSTEM

188 and 207 Diesel Engines

Thermostat and Water Pump