

Illustration 3

g03318881

6. Disconnect tube assembly (8).

---

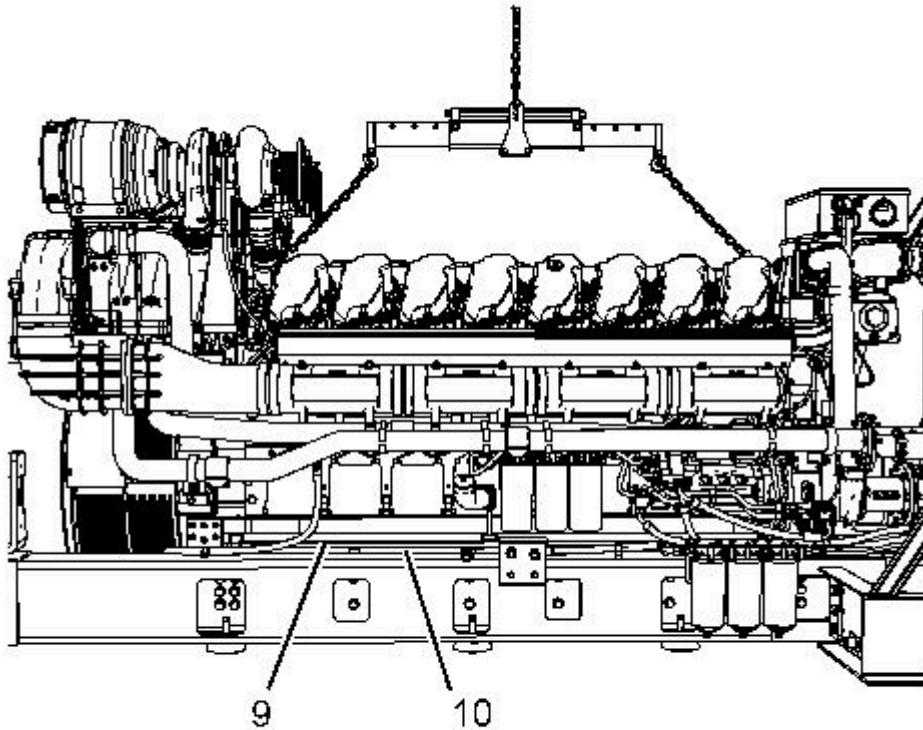


Illustration 4

g03318939

7. Attach Tooling (C) onto the engine. The weight of the engine is approximately 10343 kg (22802 lb). Remove bolts (9) on all sides of engine oil pan (10).

---