

Illustration 6

g03409223

9. Remove yoke (13) .

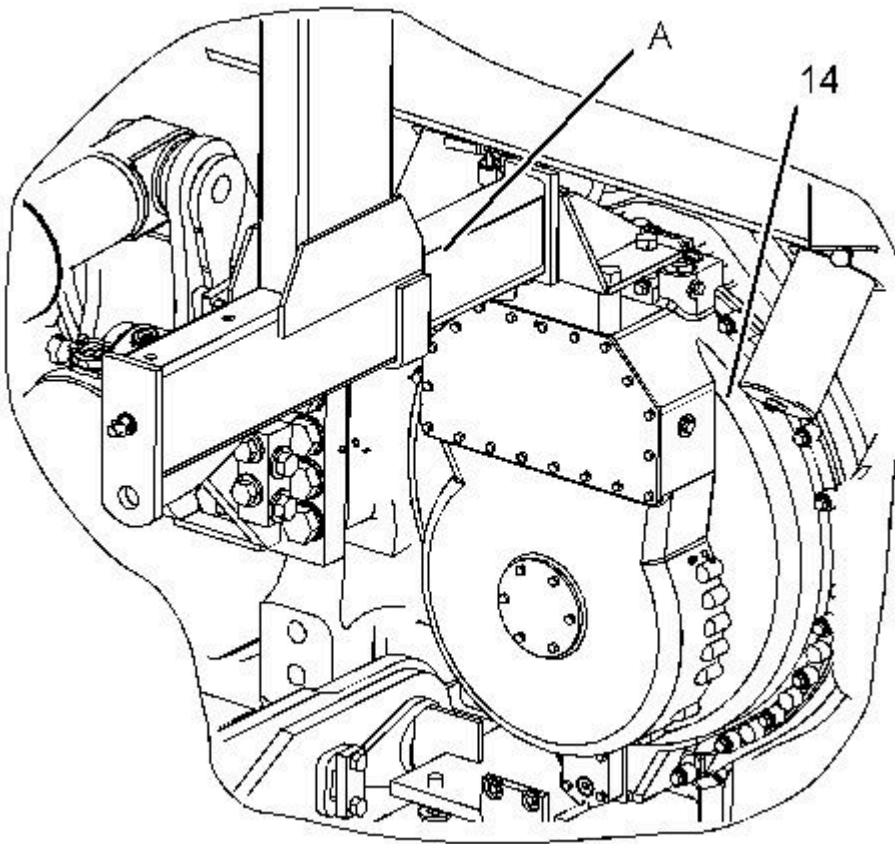


Illustration 7

g03409278