

Illustration 5

g00954863

10. Raise the temperature of roller bearing (38) .
11. Install roller bearing (38) onto shaft assembly (35) .

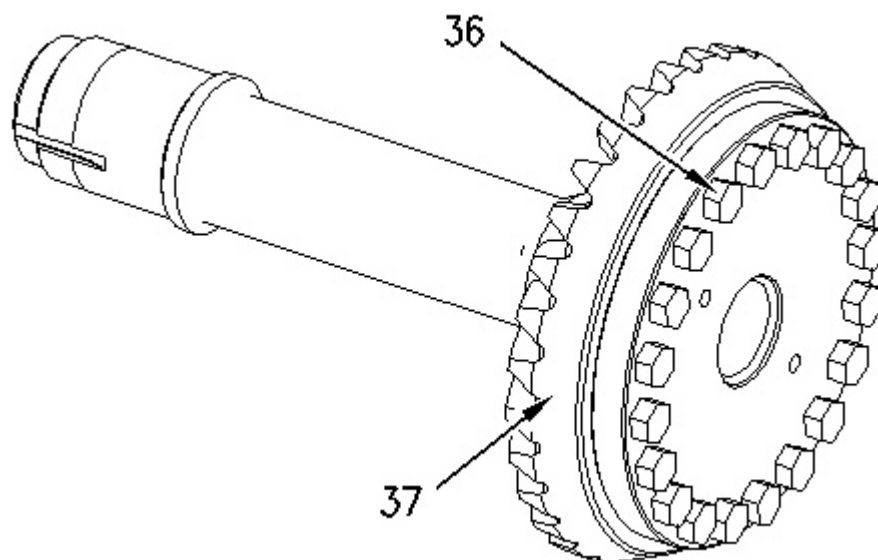


Illustration 6

g00954861

12. Position gear (37) .
13. Install bolts (36) .